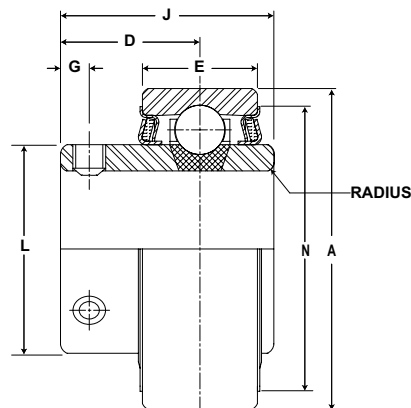




Duty: Light
Rolling Elements: Ball
Lock: Setscrew
Seal: Felt
Optional Seal: Contact
Temperature: -20° to 220°F
Relube: No



RB Series Bearing Assemblies

Bore Diameter inch	Part No.	Basic Dynamic Rating lb/N	Dimensions inch / mm							Max. Rad. to Clear	Setscrew Thread	Unit Wt. lb/kg
			A	D	E	G	J	L	N			
1/2	RB-8											
5/8	RB-10	2611 11614	1.850 47.00	7/8 22.2	5/8 15.9	3/16 4.8	1 9/32 32.5	1 3/16 30.2	1 5/8 41.3	.040 1.02	1/4-28	.50 .23
3/4	RB-12											
7/8	RB-14											
15/16	RB-15	2801 12459	2.047 52.00	7/8 22.2	3/4 19.1	3/16 4.8	1 3/8 34.9	1 3/8 34.9	1 55/64 47.2	.040 1.02	1/4-28	.60 .27
1	RB-16											
1 1/8	RB-18											
1 3/16	RB-19	4381 19487	2.441 62.00	1 1/16 27.0	7/8 22.2	7/32 5.6	1 5/8 41.3	1 9/32 32.5	1 19/32 40.5	.040 1.02	1/4-28	.90 .41
1 1/4	RB-20R											

Outside diameter may be oversized due to seal press fit.

Metric dimensions for reference only.

Not all parts are available from stock. Please contact customer service for availability (800) 626-2120.

For more information on bearing capabilities outside of our standard offering, please contact Application Engineering (800) 626-2093.