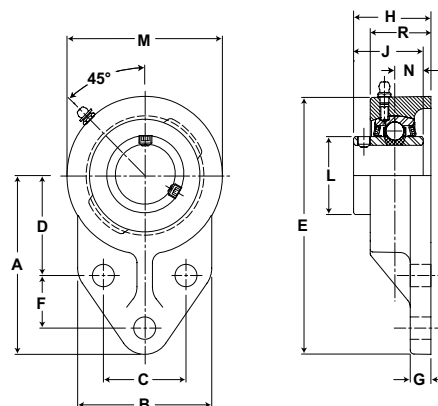




Duty: Standard
Rolling Elements: Ball
Housing: Cast Iron Flange Bracket
Self Alignment: +/- 2 Degrees
Lock: Setscrew
Seal: Felt
Optional Seal: Contact
Temperature: -20° to 220°F



FB Series Standard Duty Three Bolt Single Lock Flange Brackets - Setscrew Locking

Bore Diameter		Part No.	Bearing Insert No.	Basic Dynamic Rating lb/N	Dimensions inch / mm													Bolt Size	Unit Wt. lb/kg		
inch	mm				A	B	C	D	E	F	G	H	J	L	M	N	R				
1/2		FB-8	2-08																		
9/16		FB-9	2-09																		
5/8		FB-10	2-010	2611	3	2 3/8	1 1/2	1 11/16	4 3/16	7/8	5/16	1 11/32	1 7/32	1 3/16	2 3/8	1/2	1	3/8	1.3		
11/16		FB-11	2-011	11614	76.2	60.3	38.1	42.9	106.4	22.2	7.9	34.1	31.0	30.2	60.3	12.7	25.4		0.59		
3/4		FB-12	2-012																		
	20	FB-204	5204																		
13/16		FB-13	2-013																		
7/8		FB-14	2-014																		
15/16		FB-15	2-015	2801	3 3/8	2 1/2	1 5/8	1 13/16	4 3/4	1 1/8	3/8	1 1/2	1 3/8	1 3/8	2 3/4	9/16	1 3/32	3/8	2.1		
1		FB-16	2-1	12459	85.7	63.5	41.3	46.0	120.7	28.6	9.5	38.1	34.9	34.9	69.9	14.3	27.8		0.95		
	25	FB-205	5205																		
1 1/16		FB-17	2-11																		
1 1/8		FB-18	2-12																		
1 3/16		FB-19	2-13	4381	3 3/4	2 3/4	1 7/8	2 1/16	5 23/64	1 1/4	3/8	1 5/8	1 1/2	1 19/32	3 7/32	5/8	1 15/64	3/8	3.0		
1 1/4		FB-20R	1-14	19487	95.3	69.9	47.6	52.4	136.1	31.8	9.5	41.3	38.1	40.5	81.8	15.9	31.4		1.36		
	30	FB-206	5206																		
1 1/4		FB-20	2-14																		
1 5/16		FB-21	2-15																		
1 3/8		FB-22	2-16	5782	4 1/4	3 1/4	2	2 3/8	6 1/8	1 1/4	1/2	1 7/8	1 11/16	1 55/64	3 3/4	11/16	1 15/32	1/2	3.1		
1 7/16		FB-23	2-17	25718	108.0	82.6	50.8	60.3	155.6	31.8	12.7	47.6	42.9	47.2	95.3	17.5	37.3		1.41		
	35	FB-207	5207																		
1 7/8		FB-30	2-114																		
1 15/16		FB-31	2-115	7889	5 3/16	4	2 3/4	2 15/16	7 15/32	1 5/8	1/2	2 5/32	2 1/32	2 15/32	4 9/16	3/4	1 35/64	1/2	5.1		
2		FB-32R	1-2	35090	131.8	101.6	69.9	74.6	189.7	41.3	12.7	54.8	51.6	62.7	115.9	19.1	39.3		2.31		
	50	FB-210	5210																		

For Standard Duty Bearing Inserts-Single Lock see page G-92.

Metric dimensions for reference only.

Not all parts are available from stock. Please contact customer service for availability (800) 626-2120.

For more information on bearing capabilities outside of our standard offering, please contact Application Engineering (800) 626-2093.