



STB10NK60Z, STP10NK60Z, STP10NK60ZFP, STW10NK60Z

N-channel 600 V, 0.65 Ω typ., 10 A SuperMESH™ Power MOSFET
in I²PAK, D²PAK, TO-220, TO-220FP, TO-247 packages

Datasheet – production data

Features

Type	V _{DSS}	R _{DS(on) max}	I _D	P _w
STB10NK60Z-1	600 V	< 0.75 Ω	10 A	115 W
STB10NK60ZT4	600 V	< 0.75 Ω	10 A	115 W
STP10NK60Z	600 V	< 0.75 Ω	10 A	115 W
STP10NK60ZFP	600 V	< 0.75 Ω	10 A	35 W
STW10NK60Z	600 V	< 0.75 Ω	10 A	156 W

- Extremely high dv/dt capability
- 100% avalanche tested
- Gate charge minimized
- Zener-protected

Applications

- Switching applications

Description

These devices are N-channel Zener-protected Power MOSFET developed using STMicroelectronics' SuperMESH™ technology, achieved through optimization of ST's well-established strip-based PowerMESH™ layout. In addition to a significant reduction in on-resistance, this device is designed to ensure a high level of dv/dt capability for the most demanding applications.

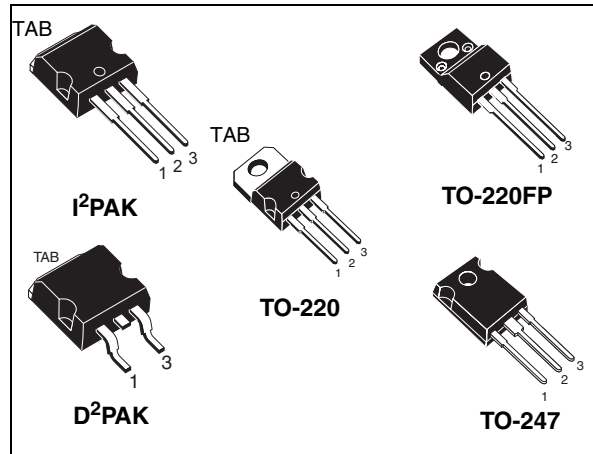


Figure 1. Internal schematic diagram

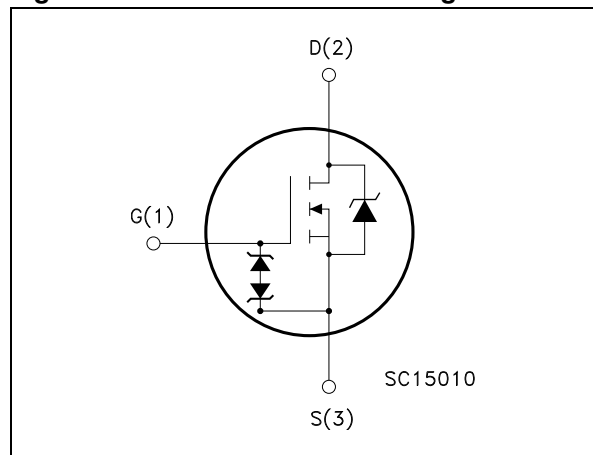


Table 1. Device summary

Order codes	Marking	Package	Packaging
STB10NK60Z-1	B10NK60Z	I ² PAK	Tube
STB10NK60ZT4	B10NK60Z	D ² PAK	Tape and reel
STP10NK60Z	P10NK60Z	TO-220	Tube
STP10NK60ZFP	P10NK60ZFP	TO-220FP	Tube
STW10NK60Z	W10NK60Z	TO-247	Tube

Contents

1	Electrical ratings	3
2	Electrical characteristics	5
	2.1 Electrical characteristics (curves)	7
3	Test circuits	10
4	Package mechanical data	11
5	Packaging mechanical data	21
6	Revision history	23

1 Electrical ratings

Table 2. Absolute maximum ratings

Symbol	Parameter	Value			Unit
		I ² PAK D ² PAK TO-220	TO-220FP	TO-247	
V _{DS}	Drain-source voltage	600			V
V _{GS}	Gate-source voltage	± 30			V
I _D	Drain current (continuous) at T _C = 25 °C	10	10 ⁽¹⁾	10	A
I _D	Drain current (continuous) at T _C = 100 °C	5.7	5.7 ⁽¹⁾	5.7	A
I _{DM} ⁽²⁾	Drain current (pulsed)	36	36 ⁽¹⁾	36	A
P _{TOT}	Total dissipation at T _C = 25 °C	115	35	156	W
	Derating factor	0.92	0.28	1.25	W/°C
ESD	Gate-source human body model (R = 1,5 kΩ, C = 100 pF)	4			kV
dv/dt ⁽³⁾	Peak diode recovery voltage slope	4.5			V/ns
V _{ISO}	Insulation withstand voltage (RMS) from all three leads to external heat sink (t=1 s; T _C =25 °C)	--	2500	--	V
T _j T _{stg}	Operating junction temperature Storage temperature	-55 to 150			°C

1. Limited by maximum junction temperature
2. Pulse width limited by safe operating area
3. I_{SD} < 10A, di/dt < 200A/μs, V_{DD} =80% V_{(BR)DSS}

Table 3. Thermal data

Symbol	Parameter	Value				Unit
		I ² PAK D ² PAK	TO-220	TO-220FP	TO-247	
R _{thj-case}	Thermal resistance junction-case max	1.09		3.6	0.8	°C/W
R _{thj-pcb}	Thermal resistance junction-pcb max (when mounted on minimum footprint)	35				°C/W
R _{thj-amb}	Thermal resistance junction-amb max	62.5			50	°C/W

Table 4. Avalanche characteristics

Symbol	Parameter	Max value	Unit
I_{AR}	Avalanche current, repetitive or not-repetitive (pulse width limited by T_j max)	9	A
E_{AS}	Single pulse avalanche energy (starting $T_j=25\text{ °C}$, $I_D=I_{AR}$, $V_{DD}=50\text{ V}$)	300	mJ
E_{AR}	Repetitive avalanche energy (pulse width limited by T_j max)	3.5	mJ

2 Electrical characteristics

(T_{case} = 25 °C unless otherwise specified)

Table 5. On /off states

Symbol	Parameter	Test conditions	Min.	Typ.	Max.	Unit
V _{(BR)DSS}	Drain-source breakdown voltage	I _D = 250 μA, V _{GS} = 0	600			V
I _{DSS}	Zero gate voltage drain current (V _{GS} = 0)	V _{DS} = 600 V, V _{DS} = 600 V, T _C = 125 °C			1 50	μA μA
I _{GSS}	Gate body leakage current (V _{DS} = 0)	V _{GS} = ± 20 V			±10	μA
V _{GS(th)}	Gate threshold voltage	V _{DS} = V _{GS} , I _D = 250 μA	3	3.75	4.5	V
R _{DS(on)}	Static drain-source on-resistance	V _{GS} = 10 V, I _D = 4.5 A		0.65	0.75	Ω

Table 6. Dynamic

Symbol	Parameter	Test conditions	Min.	Typ.	Max.	Unit
g _{fs} ⁽¹⁾	Forward transconductance	V _{DS} = 15 V, I _D = 4.5 A		7.8		S
C _{iss} C _{oss} C _{rss}	Input capacitance Output capacitance Reverse transfer capacitance	V _{DS} = 25 V, f = 1 MHz, V _{GS} = 0		1370 156 37		pF pF pF
C _{oss eq} ⁽²⁾	Equivalent output capacitance	V _{GS} = 0, V _{DS} = 0 to 480 V		90		pF
Q _g Q _{gs} Q _{gd}	Total gate charge Gate-source charge Gate-drain charge	V _{DD} = 480 V, I _D = 8 A V _{GS} = 10 V (see Figure 20)		50 10 25	70	nC nC nC

1. Pulsed: pulse duration = 300 μs, duty cycle 1.5%

2. C_{oss eq} is defined as a constant equivalent capacitance giving the same charging time as C_{oss} when V_{DS} increases from 0 to 80%

Table 7. Switching times

Symbol	Parameter	Test conditions	Min.	Typ.	Max.	Unit
$t_{d(on)}$ t_r	Turn-on delay time Rise time	$V_{DD}=300\text{ V}$, $I_D=4\text{ A}$, $R_G=4.7\ \Omega$, $V_{GS}=10\text{ V}$ (see Figure 19)	-	20 20	-	ns ns
$t_{d(off)}$ t_f	Turn-off delay time Fall time	$V_{DD}=300\text{ V}$, $I_D=4\text{ A}$, $R_G=4.7\ \Omega$, $V_{GS}=10\text{ V}$ (see Figure 19)	-	55 30	-	ns ns

Table 8. Source drain diode

Symbol	Parameter	Test conditions	Min.	Typ.	Max.	Unit
I_{SD}	Source-drain current		-		10	A
$I_{SDM}^{(1)}$	Source-drain current (pulsed)		-		36	A
$V_{SD}^{(2)}$	Forward on voltage	$I_{SD}=10\text{ A}$, $V_{GS}=0$	-		1.6	V
t_{rr}	Reverse recovery time	$I_{SD}=8\text{ A}$, $di/dt = 100\text{ A}/\mu\text{s}$, $V_{DD}=40\text{ V}$, $T_j=150\text{ }^\circ\text{C}$	-	570		ns
Q_{rr}	Reverse recovery charge		-	4.3		μC
I_{RRM}	Reverse recovery current		-	15		A

1. Pulse width limited by safe operating area
2. Pulsed: pulse duration = 300 μs , duty cycle 1.5%

Table 9. Gate-source Zener diode

Symbol	Parameter	Test conditions	Min.	Typ.	Max.	Unit
$V_{(BR)GSO}$	Gate-source breakdown voltage	$I_{GS}=\pm 1\text{ mA}$, ($I_D = 0$)	30	-	-	V

The built-in back-to-back Zener diodes have specifically been designed to enhance not only the device's ESD capability, but also to make them safely absorb possible voltage transients that may occasionally be applied from gate to source. In this respect the Zener voltage is appropriate to achieve an efficient and cost-effective intervention to protect the device's integrity. These integrated Zener diodes thus avoid the usage of external components

2.1 Electrical characteristics (curves)

Figure 2. Safe operating area for I²PAK, D²PAK and TO-220

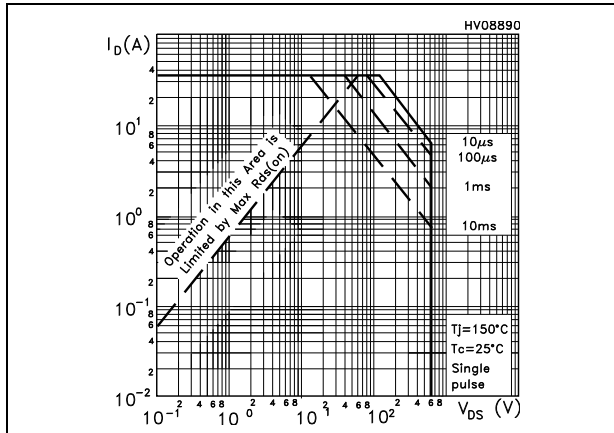


Figure 3. Thermal impedance for I²PAK, D²PAK and TO-220

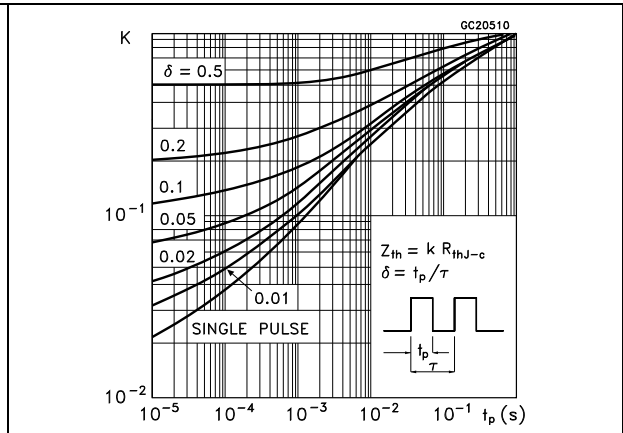


Figure 4. Safe operating area for TO-220FP

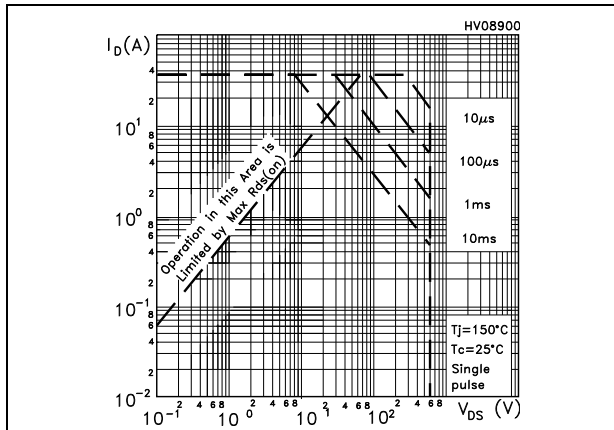


Figure 5. Thermal impedance for TO-220FP

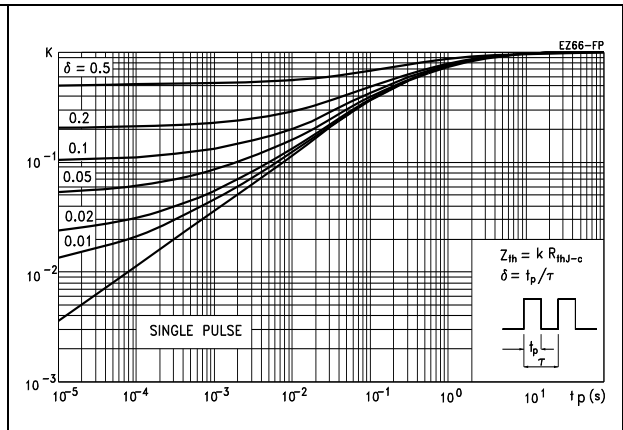


Figure 6. Safe operating area for TO-247

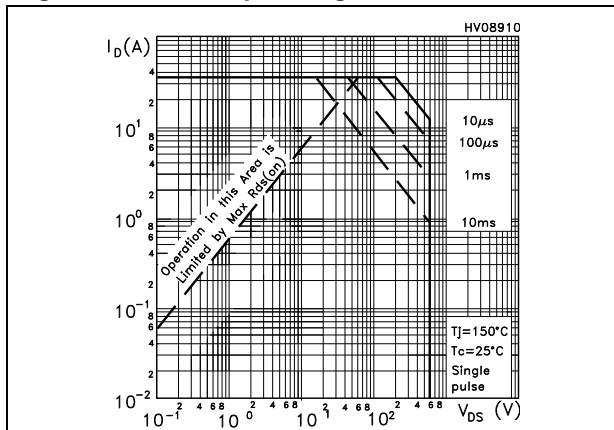


Figure 7. Thermal impedance for TO-247

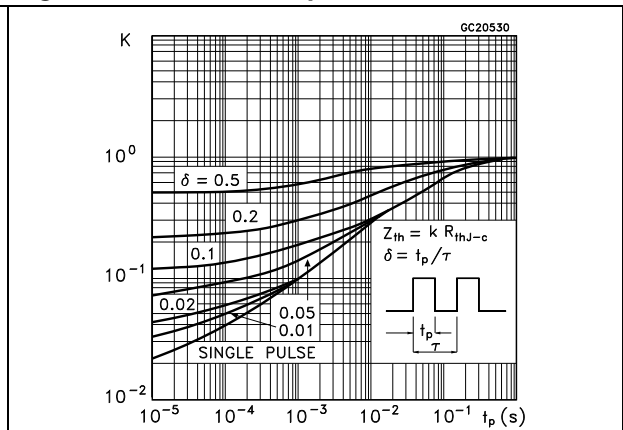


Figure 8. Output characteristics

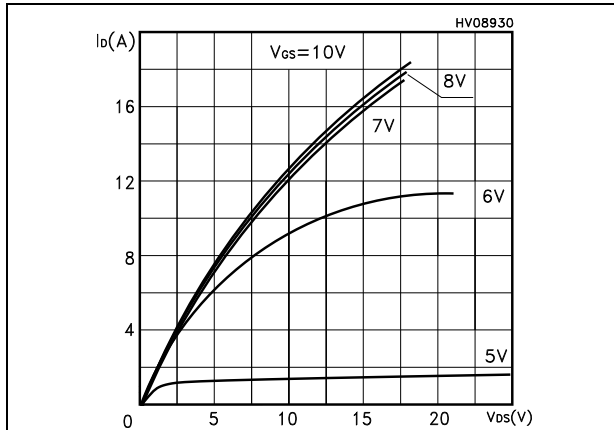


Figure 9. Transfer characteristics

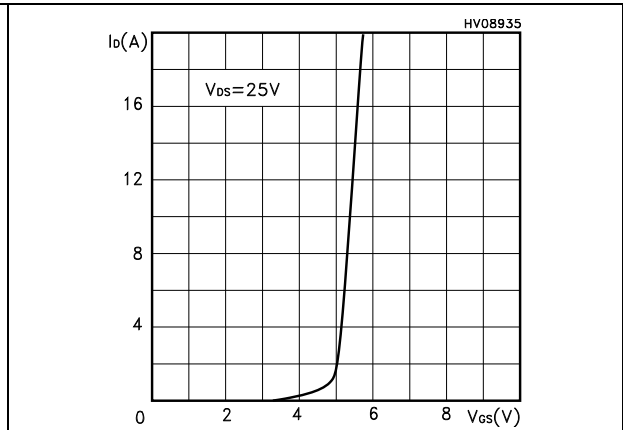


Figure 10. Transconductance

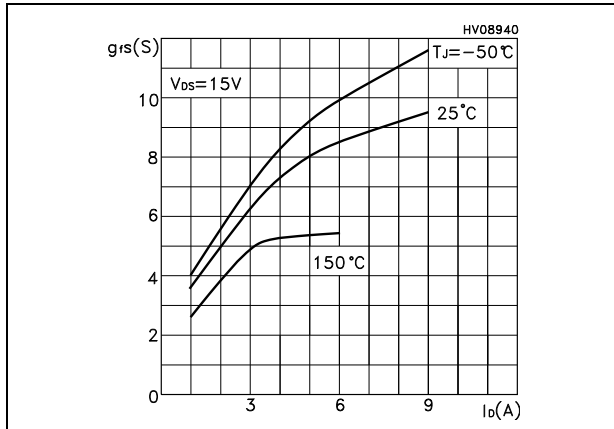


Figure 11. Static drain-source on-resistance

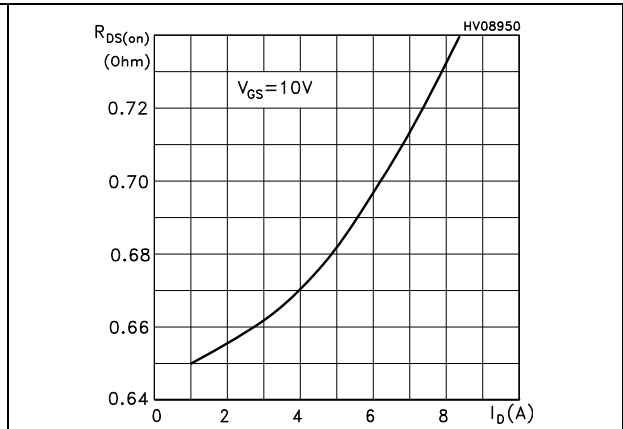


Figure 12. Gate charge vs gate-source voltage Figure 13. Capacitance variations

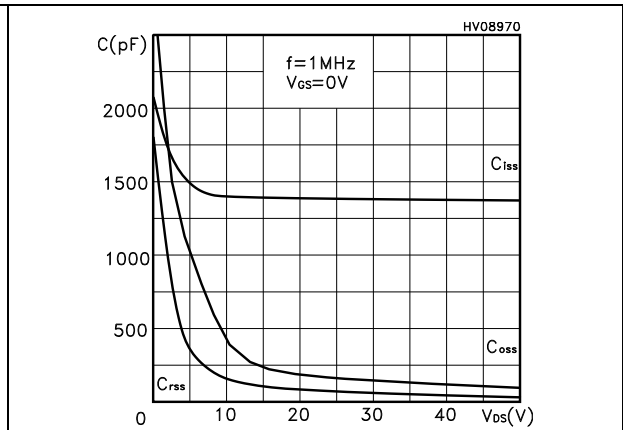
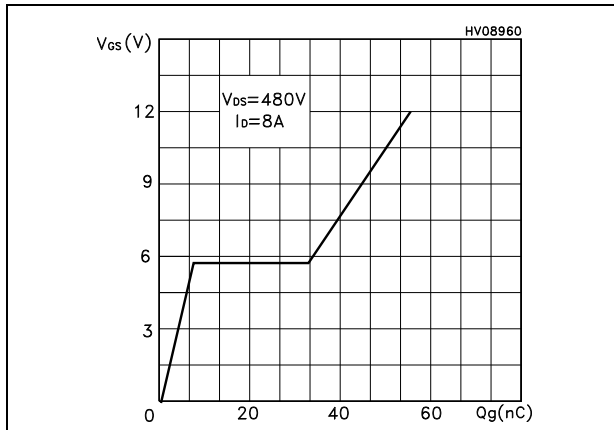


Figure 14. Normalized gate threshold voltage vs temperature

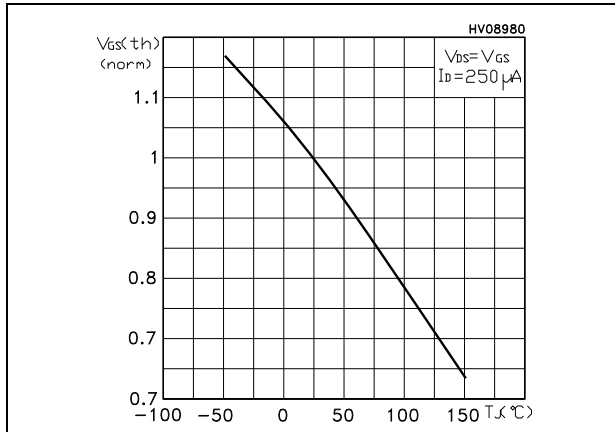


Figure 15. Normalized on-resistance vs temperature

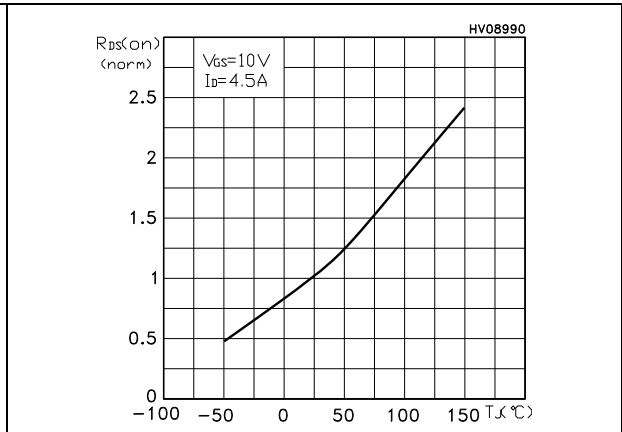


Figure 16. Source-drain diode forward characteristics

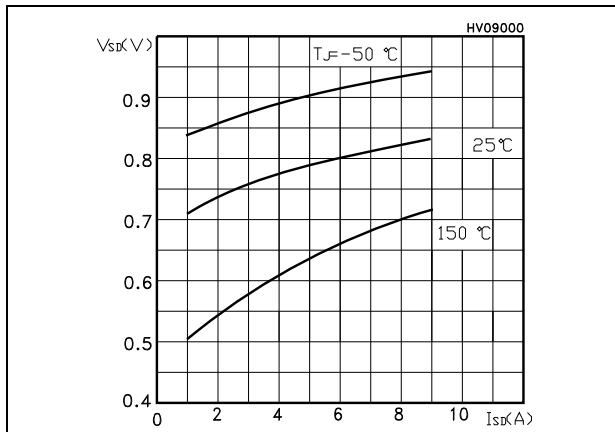


Figure 17. Maximum avalanche energy vs temperature

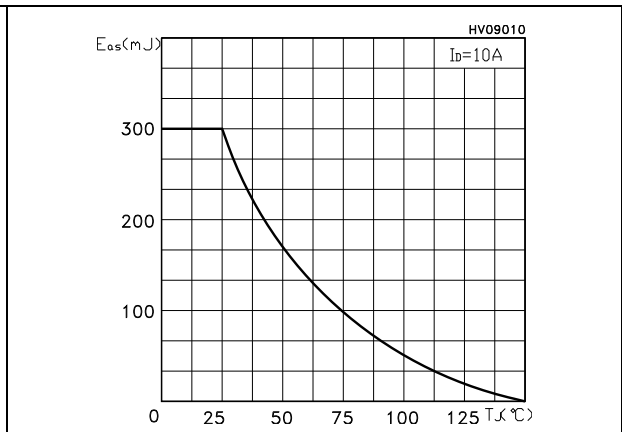
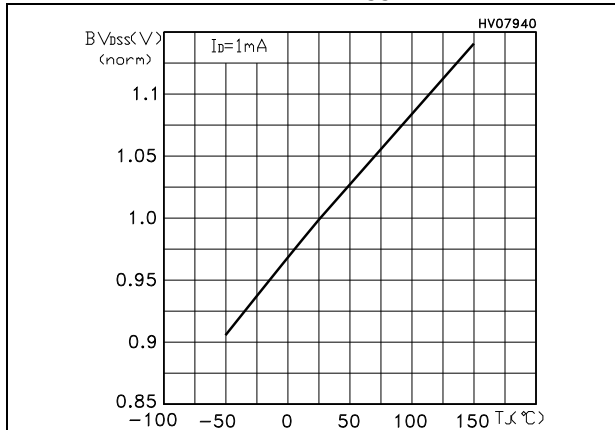
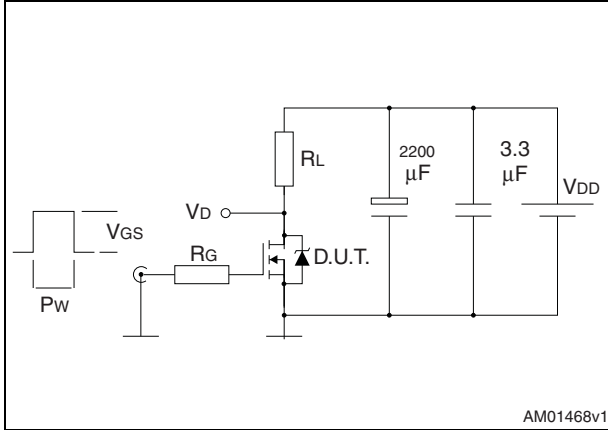


Figure 18. Normalized B_VDSS vs temperature



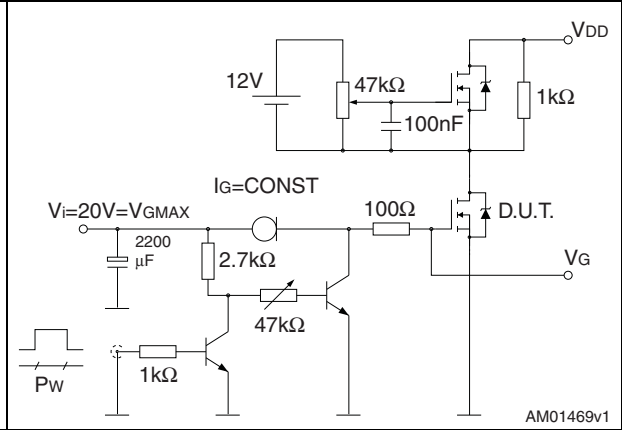
3 Test circuits

Figure 19. Switching times test circuit for resistive load



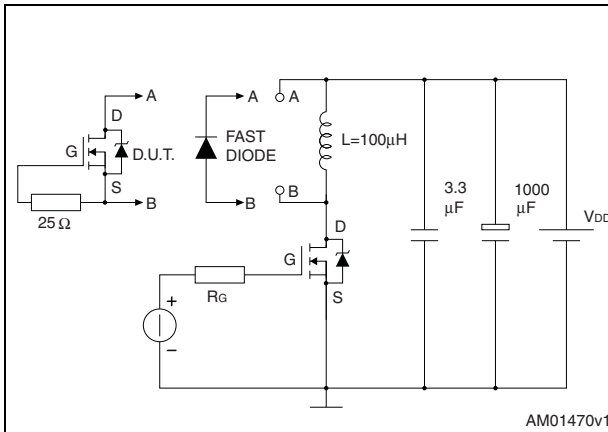
AM01468v1

Figure 20. Gate charge test circuit



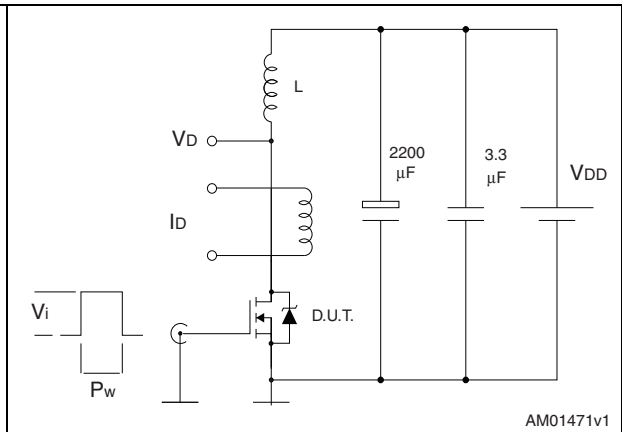
AM01469v1

Figure 21. Test circuit for inductive load switching and diode recovery times



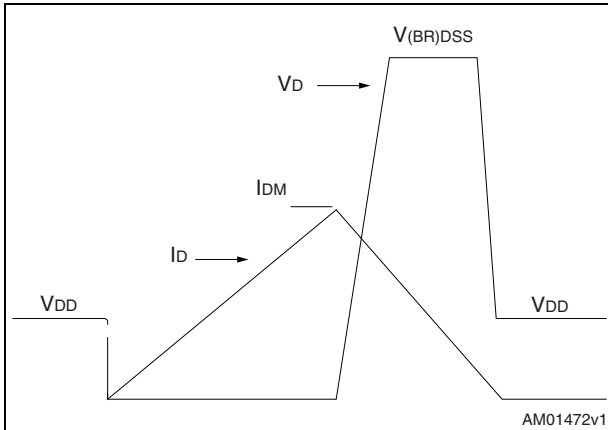
AM01470v1

Figure 22. Unclamped inductive load test circuit



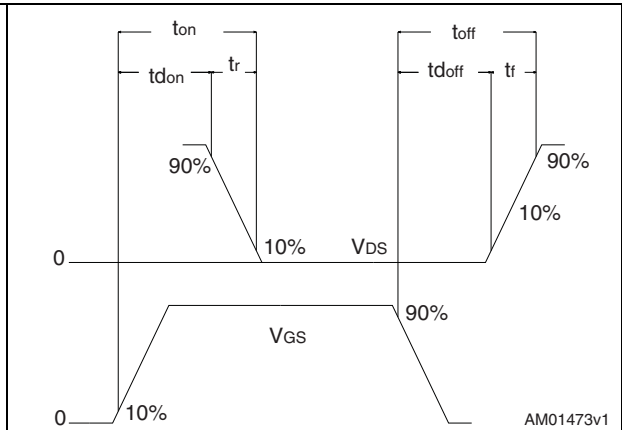
AM01471v1

Figure 23. Unclamped inductive waveform



AM01472v1

Figure 24. Switching time waveform



AM01473v1

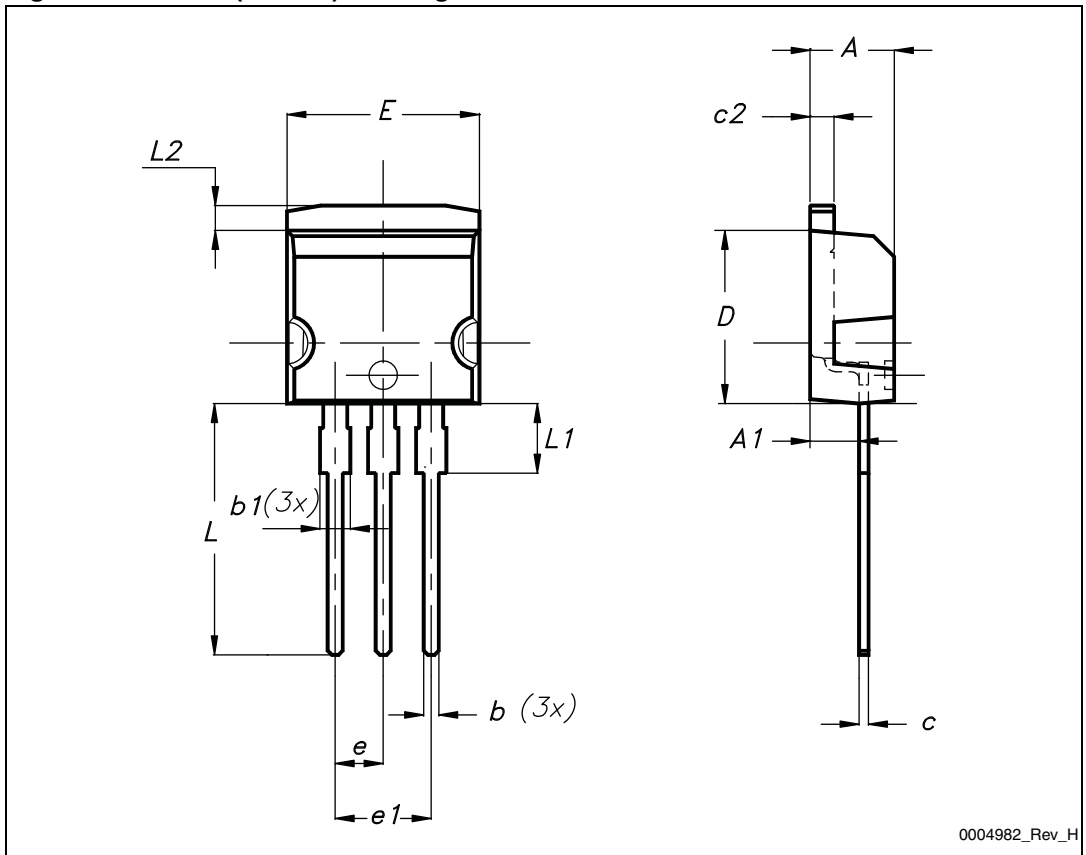
4 Package mechanical data

In order to meet environmental requirements, ST offers these devices in different grades of ECOPACK® packages, depending on their level of environmental compliance. ECOPACK® specifications, grade definitions and product status are available at: www.st.com. ECOPACK® is an ST trademark.

Table 10. I²PAK (TO-262) mechanical data

DIM.	mm.		
	min.	typ	max.
A	4.40		4.60
A1	2.40		2.72
b	0.61		0.88
b1	1.14		1.70
c	0.49		0.70
c2	1.23		1.32
D	8.95		9.35
e	2.40		2.70
e1	4.95		5.15
E	10		10.40
L	13		14
L1	3.50		3.93
L2	1.27		1.40

Figure 25. I²PAK (TO-262) drawing

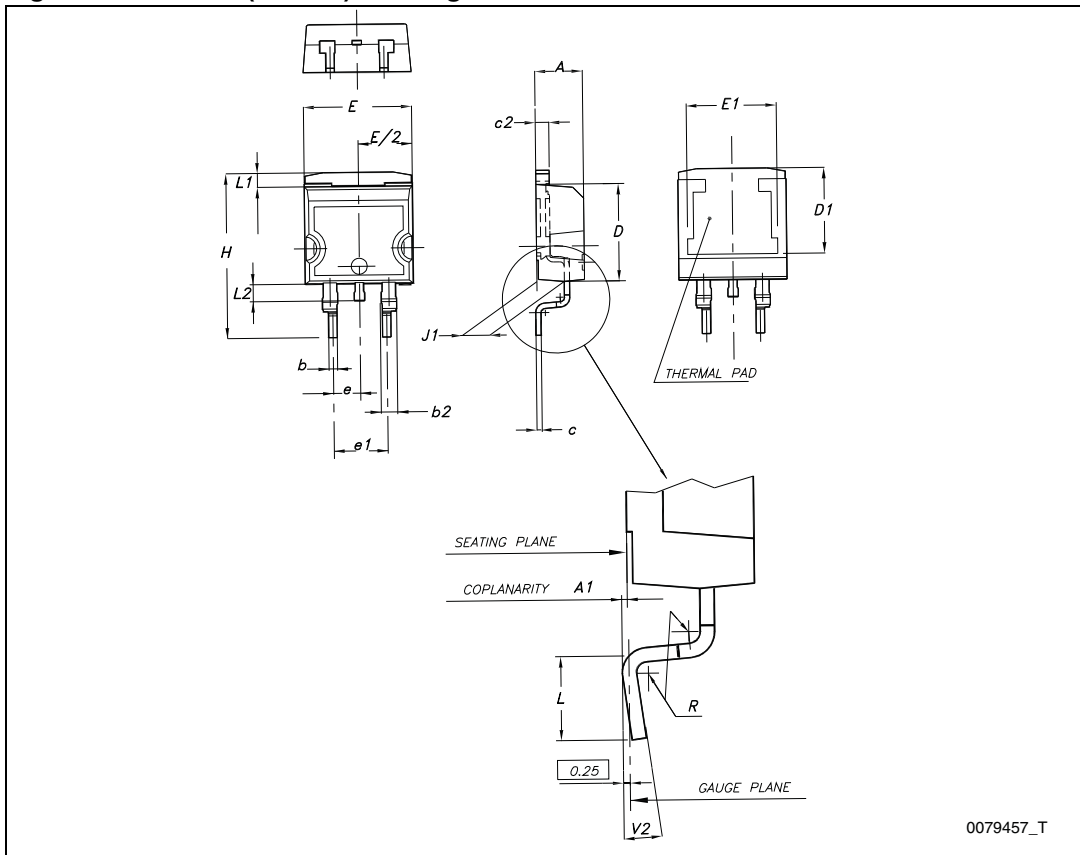


0004982_Rev_H

Table 11. D²PAK (TO-263) mechanical data

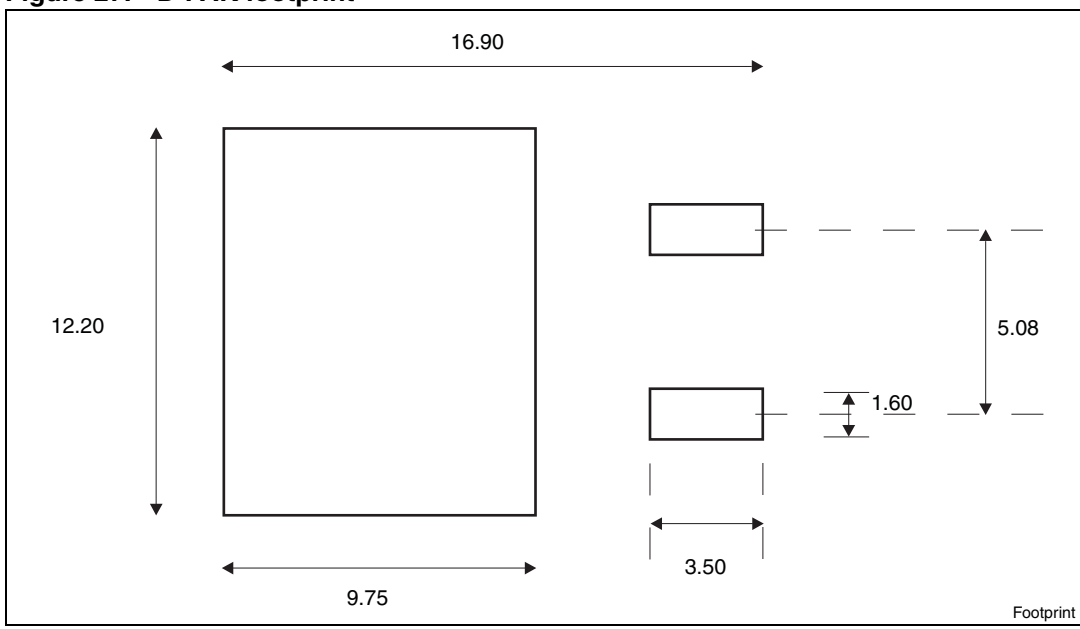
Dim.	mm		
	Min.	Typ.	Max.
A	4.40		4.60
A1	0.03		0.23
b	0.70		0.93
b2	1.14		1.70
c	0.45		0.60
c2	1.23		1.36
D	8.95		9.35
D1	7.50		
E	10		10.40
E1	8.50		
e		2.54	
e1	4.88		5.28
H	15		15.85
J1	2.49		2.69
L	2.29		2.79
L1	1.27		1.40
L2	1.30		1.75
R		0.4	
V2	0°		8°

Figure 26. D²PAK (TO-263) drawing



0079457_T

Figure 27. D²PAK footprint^(a)



a. All dimensions are in millimeters

Table 12. TO-220 type A mechanical data

Dim.	mm		
	Min.	Typ.	Max.
A	4.40		4.60
b	0.61		0.88
b1	1.14		1.70
c	0.48		0.70
D	15.25		15.75
D1		1.27	
E	10		10.40
e	2.40		2.70
e1	4.95		5.15
F	1.23		1.32
H1	6.20		6.60
J1	2.40		2.72
L	13		14
L1	3.50		3.93
L20		16.40	
L30		28.90	
ØP	3.75		3.85
Q	2.65		2.95

Figure 28. TO-220 type A drawing

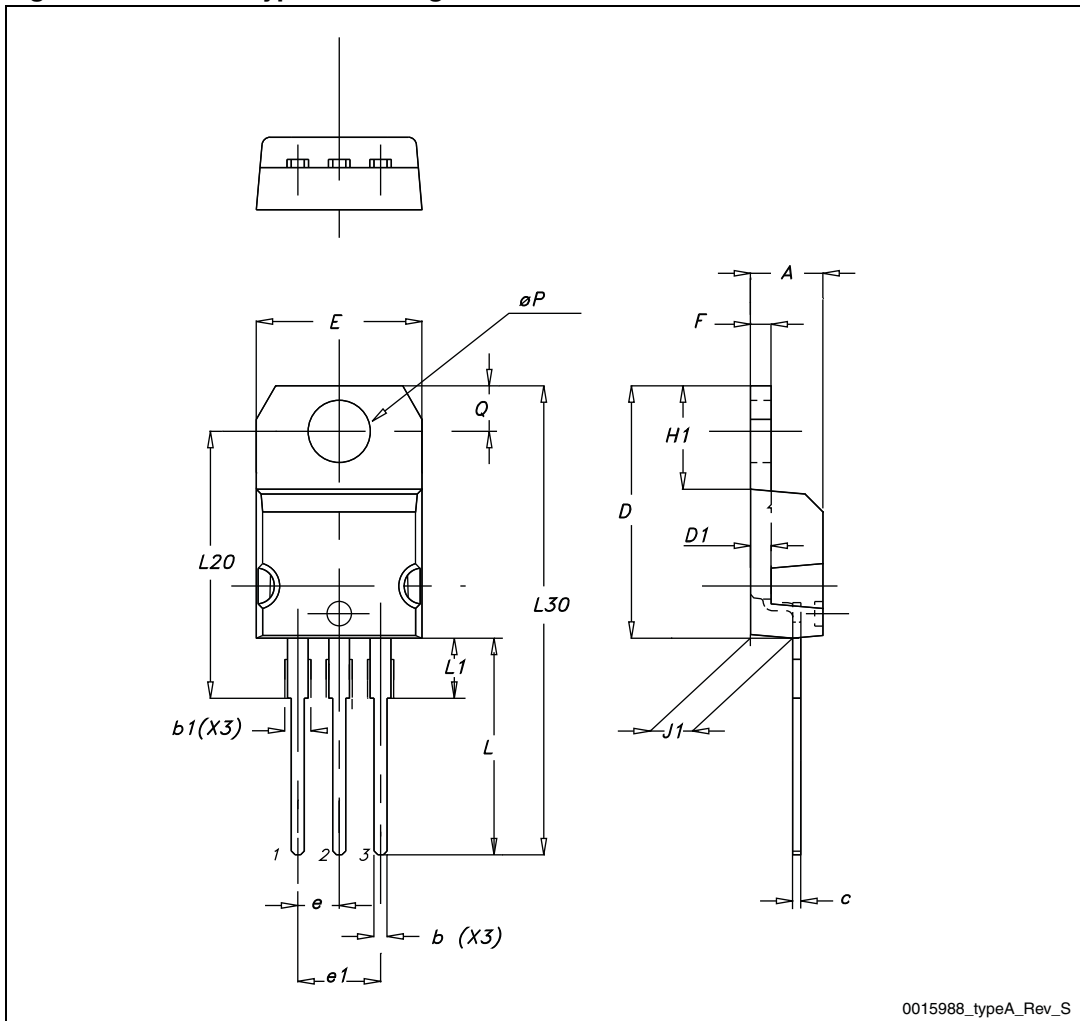
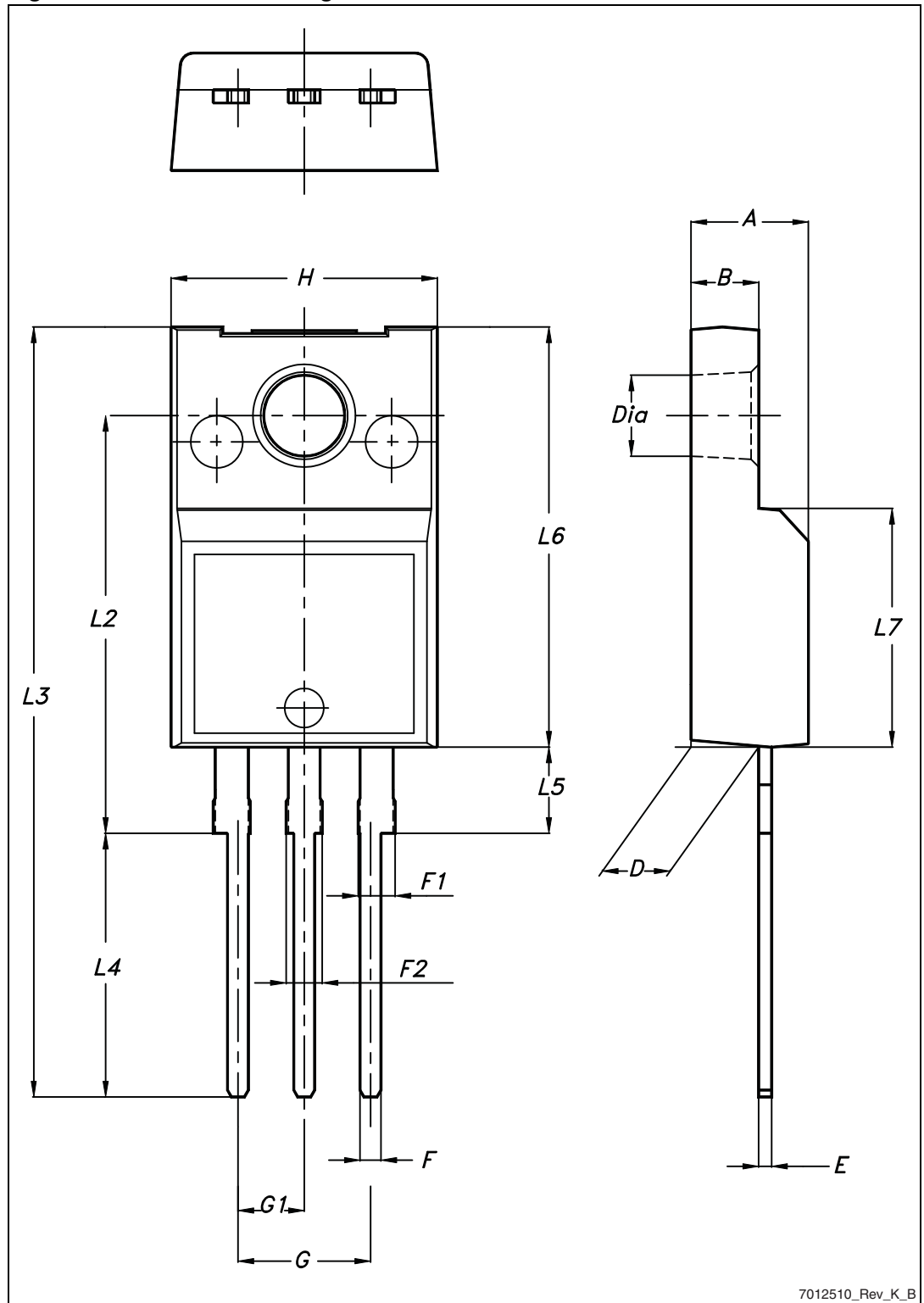


Table 13. TO-220FP mechanical data

Dim.	mm		
	Min.	Typ.	Max.
A	4.4		4.6
B	2.5		2.7
D	2.5		2.75
E	0.45		0.7
F	0.75		1
F1	1.15		1.70
F2	1.15		1.70
G	4.95		5.2
G1	2.4		2.7
H	10		10.4
L2		16	
L3	28.6		30.6
L4	9.8		10.6
L5	2.9		3.6
L6	15.9		16.4
L7	9		9.3
Dia	3		3.2

Figure 29. TO-220FP drawing

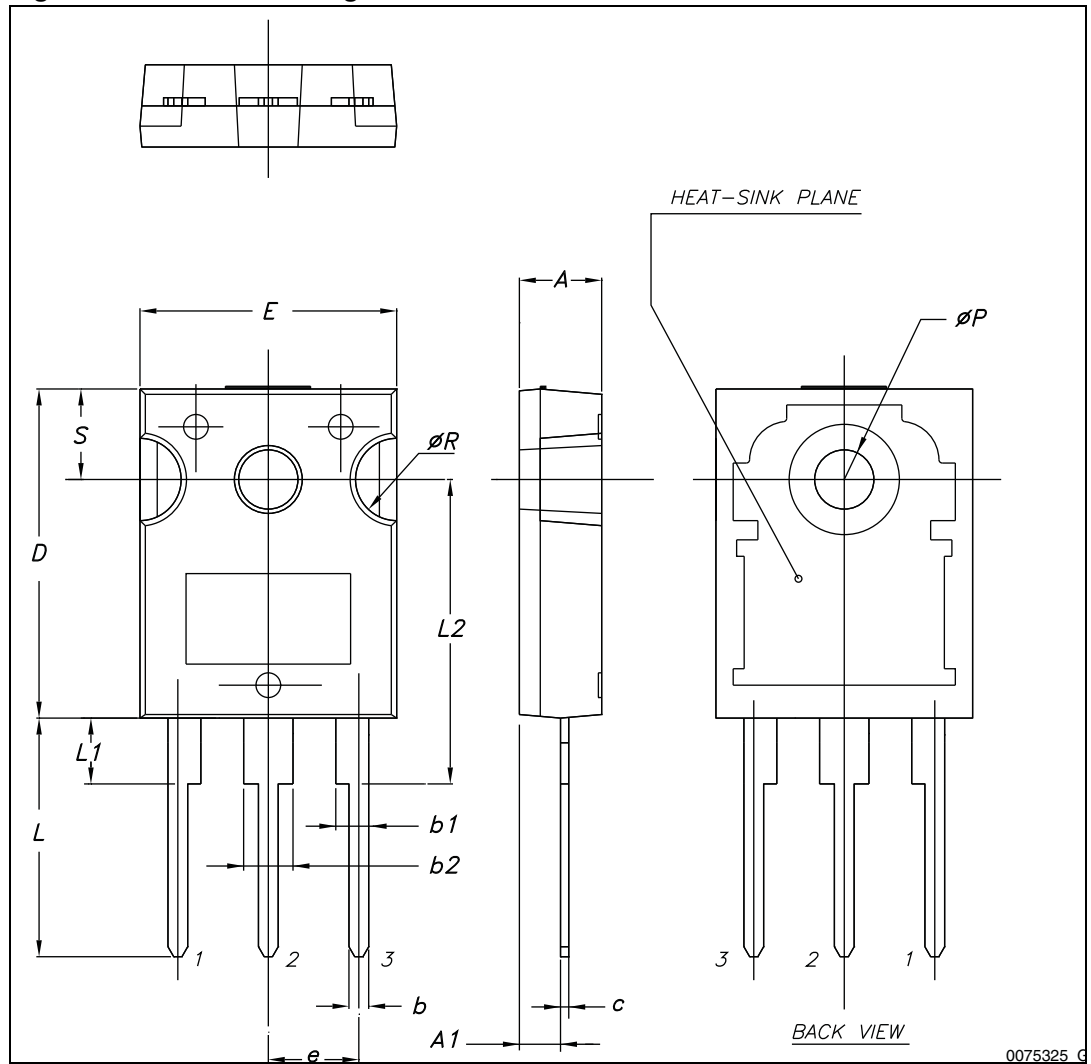


7012510_Rev_K_B

Table 14. TO-247 mechanical data

Dim.	mm.		
	Min.	Typ.	Max.
A	4.85		5.15
A1	2.20		2.60
b	1.0		1.40
b1	2.0		2.40
b2	3.0		3.40
c	0.40		0.80
D	19.85		20.15
E	15.45		15.75
e	5.30	5.45	5.60
L	14.20		14.80
L1	3.70		4.30
L2		18.50	
ØP	3.55		3.65
ØR	4.50		5.50
S	5.30	5.50	5.70

Figure 30. TO-247 drawing



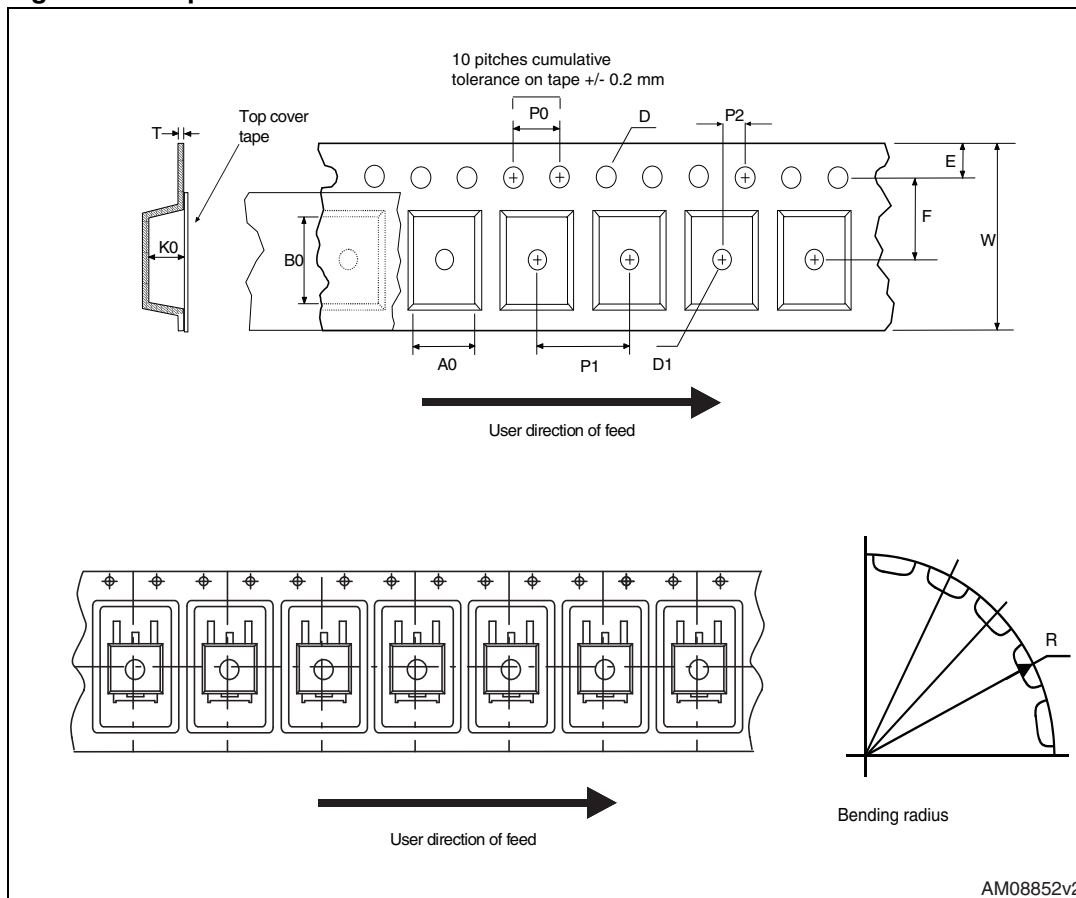
0075325 G

5 Packaging mechanical data

Table 15. D²PAK (TO-263) tape and reel mechanical data

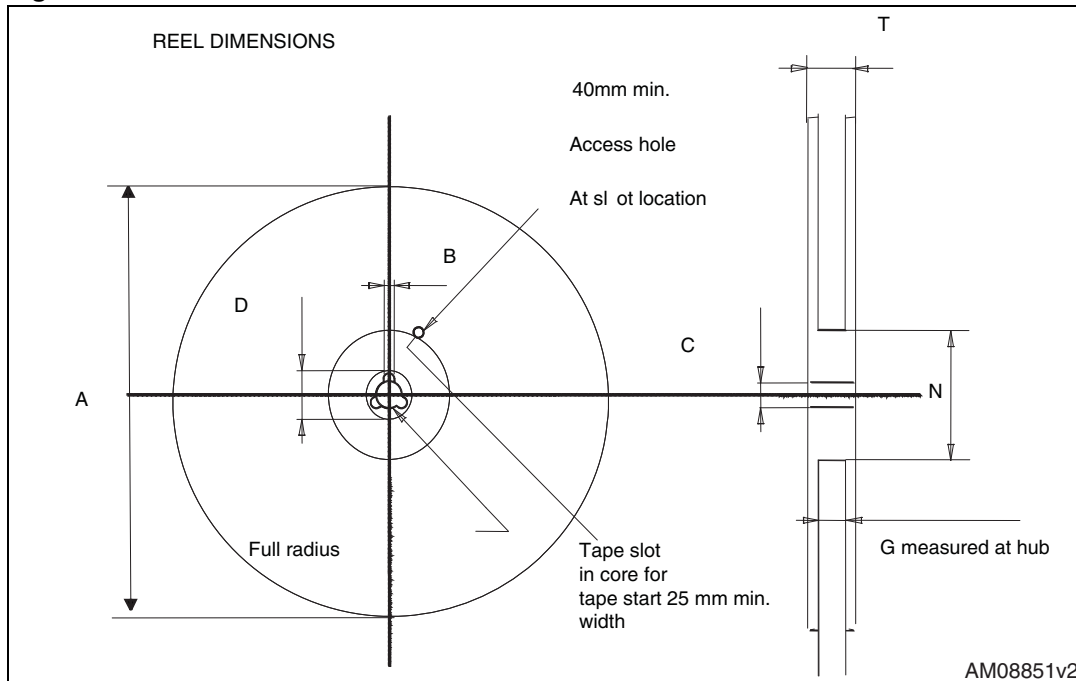
Tape			Reel		
Dim.	mm		Dim.	mm	
	Min.	Max.		Min.	Max.
A0	10.5	10.7	A		330
B0	15.7	15.9	B	1.5	
D	1.5	1.6	C	12.8	13.2
D1	1.59	1.61	D	20.2	
E	1.65	1.85	G	24.4	26.4
F	11.4	11.6	N	100	
K0	4.8	5.0	T		30.4
P0	3.9	4.1			
P1	11.9	12.1		Base qty	1000
P2	1.9	2.1		Bulk qty	1000
R	50				
T	0.25	0.35			
W	23.7	24.3			

Figure 31. Tape



AM08852v2

Figure 32. Reel



AM08851v2

6 Revision history

Table 16. Document revision history

Date	Revision	Changes
29-Sep-2005	6	Inserted ecopack indication
29-Oct-2005	7	New value inserted in Table 6
11-Apr-2006	8	New template
19-Sep-2006	9	Unit changed in Table 5
17-Nov-2008	10	Updated Section 4: Package mechanical data
15-Nov-2012	11	Updated Table 2: Absolute maximum ratings , Table 3: Thermal data , Table 5: On /off states and Table 9: Gate-source Zener diode . Updated Section 4: Package mechanical data and Section 5: Packaging mechanical data . Minor text changes.

Please Read Carefully:

Information in this document is provided solely in connection with ST products. STMicroelectronics NV and its subsidiaries ("ST") reserve the right to make changes, corrections, modifications or improvements, to this document, and the products and services described herein at any time, without notice.

All ST products are sold pursuant to ST's terms and conditions of sale.

Purchasers are solely responsible for the choice, selection and use of the ST products and services described herein, and ST assumes no liability whatsoever relating to the choice, selection or use of the ST products and services described herein.

No license, express or implied, by estoppel or otherwise, to any intellectual property rights is granted under this document. If any part of this document refers to any third party products or services it shall not be deemed a license grant by ST for the use of such third party products or services, or any intellectual property contained therein or considered as a warranty covering the use in any manner whatsoever of such third party products or services or any intellectual property contained therein.

UNLESS OTHERWISE SET FORTH IN ST'S TERMS AND CONDITIONS OF SALE ST DISCLAIMS ANY EXPRESS OR IMPLIED WARRANTY WITH RESPECT TO THE USE AND/OR SALE OF ST PRODUCTS INCLUDING WITHOUT LIMITATION IMPLIED WARRANTIES OF MERCHANTABILITY, FITNESS FOR A PARTICULAR PURPOSE (AND THEIR EQUIVALENTS UNDER THE LAWS OF ANY JURISDICTION), OR INFRINGEMENT OF ANY PATENT, COPYRIGHT OR OTHER INTELLECTUAL PROPERTY RIGHT.

UNLESS EXPRESSLY APPROVED IN WRITING BY TWO AUTHORIZED ST REPRESENTATIVES, ST PRODUCTS ARE NOT RECOMMENDED, AUTHORIZED OR WARRANTED FOR USE IN MILITARY, AIR CRAFT, SPACE, LIFE SAVING, OR LIFE SUSTAINING APPLICATIONS, NOR IN PRODUCTS OR SYSTEMS WHERE FAILURE OR MALFUNCTION MAY RESULT IN PERSONAL INJURY, DEATH, OR SEVERE PROPERTY OR ENVIRONMENTAL DAMAGE. ST PRODUCTS WHICH ARE NOT SPECIFIED AS "AUTOMOTIVE GRADE" MAY ONLY BE USED IN AUTOMOTIVE APPLICATIONS AT USER'S OWN RISK.

Resale of ST products with provisions different from the statements and/or technical features set forth in this document shall immediately void any warranty granted by ST for the ST product or service described herein and shall not create or extend in any manner whatsoever, any liability of ST.

ST and the ST logo are trademarks or registered trademarks of ST in various countries.

Information in this document supersedes and replaces all information previously supplied.

The ST logo is a registered trademark of STMicroelectronics. All other names are the property of their respective owners.

© 2012 STMicroelectronics - All rights reserved

STMicroelectronics group of companies

Australia - Belgium - Brazil - Canada - China - Czech Republic - Finland - France - Germany - Hong Kong - India - Israel - Italy - Japan - Malaysia - Malta - Morocco - Philippines - Singapore - Spain - Sweden - Switzerland - United Kingdom - United States of America

www.st.com