

# Through T/H Hole BOX CONNECTOR STRIPS BCS SERIES

## SPECIFICATIONS

For complete specifications see [www.samtec.com?BCS](http://www.samtec.com?BCS)

**Insulator Material:**  
Black Liquid Crystal Polymer

**Contact Material:**  
Phosphor Bronze

**Current Rating:**  
3A @ 80°C ambient (-TE/-DE/-PE mated with TSM)  
4A @ 80°C ambient (-HE mated with TSW-D)

**Voltage Rating:**  
475 VAC (-TE/-DE/-PE mated with TSM)  
450 VAC (-HE mated with TSW)

**Operating Temp Range:**  
-65°C to +125°C

**Max Processing Temp:**  
260°C for 10 seconds and 230°C for 30 to 60 seconds

**Plating:**  
Au, PdNi or Sn over 50µ" (1,27µm) Ni

**Contact Resistance:**  
10 m max

**Insertion Depth:**  
(4,34mm) to (6,55mm)  
.171" to .285" from top, (5,64mm) .222" plus board thickness minimum from bottom.  
-HE is (4,34mm) .171" to (6,35mm) .250"

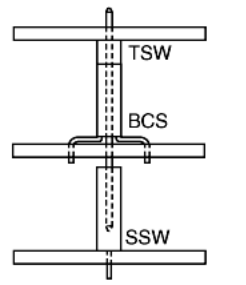
**Insertion Force:**  
(Single contact only)  
5oz (1,39N) avg (.025" (0,64mm) SQ pin)

**Withdrawal Force:**  
(Single contact only)  
3oz (0,83N) avg (.025" (0,64mm) SQ pin)

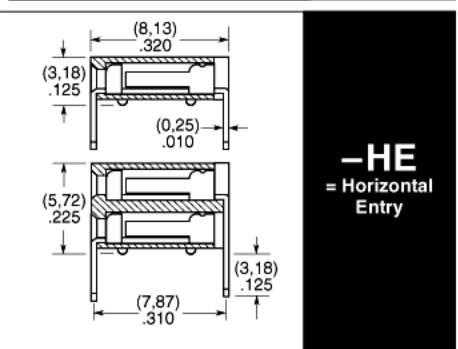
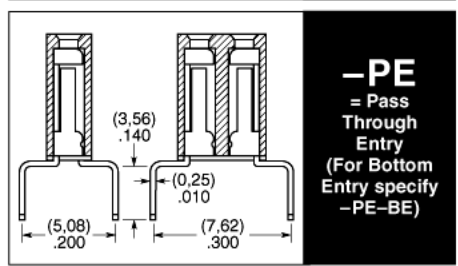
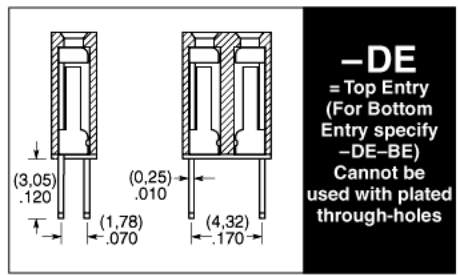
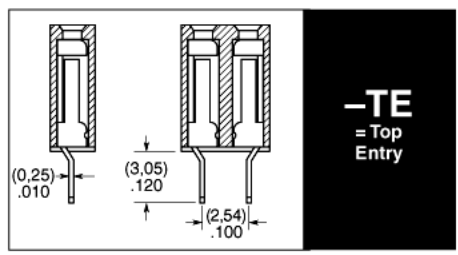
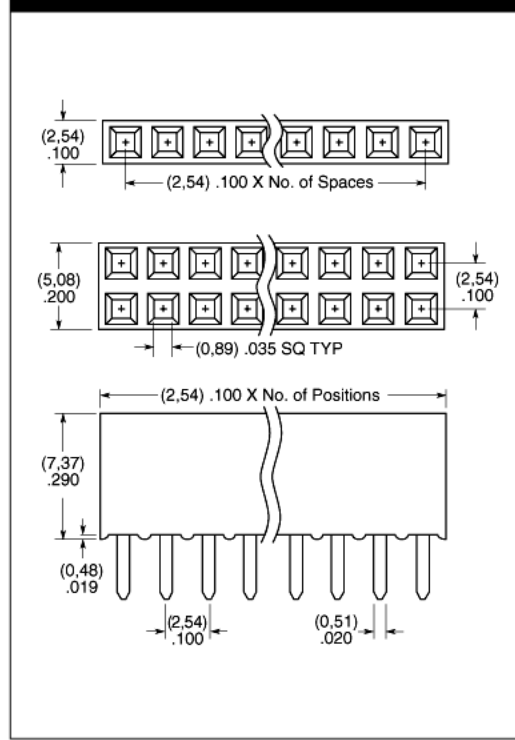


<b>BCS</b>	<b>1</b>	<b>NO. PINS PER ROW</b>	<b>PLATING OPTION</b>	<b>ROW OPTION</b>	<b>ENTRY OPTION</b>	<b>OTHER OPTION</b>
			<b>-L</b> = 10µ" (0,25µm) Gold on Contact, Tin on tail	<b>-S</b> = Single		<b>-“XX”</b> = Polarized Position (-BE not available)
				<b>-D</b> = Double		

## APPLICATION



## 01 thru 50



**Note:** Some lengths, styles and options are non-standard, non-returnable.

Due to technical progress, all designs, specifications and components are subject to change without notice.

[WWW.SAMTEC.COM](http://WWW.SAMTEC.COM)