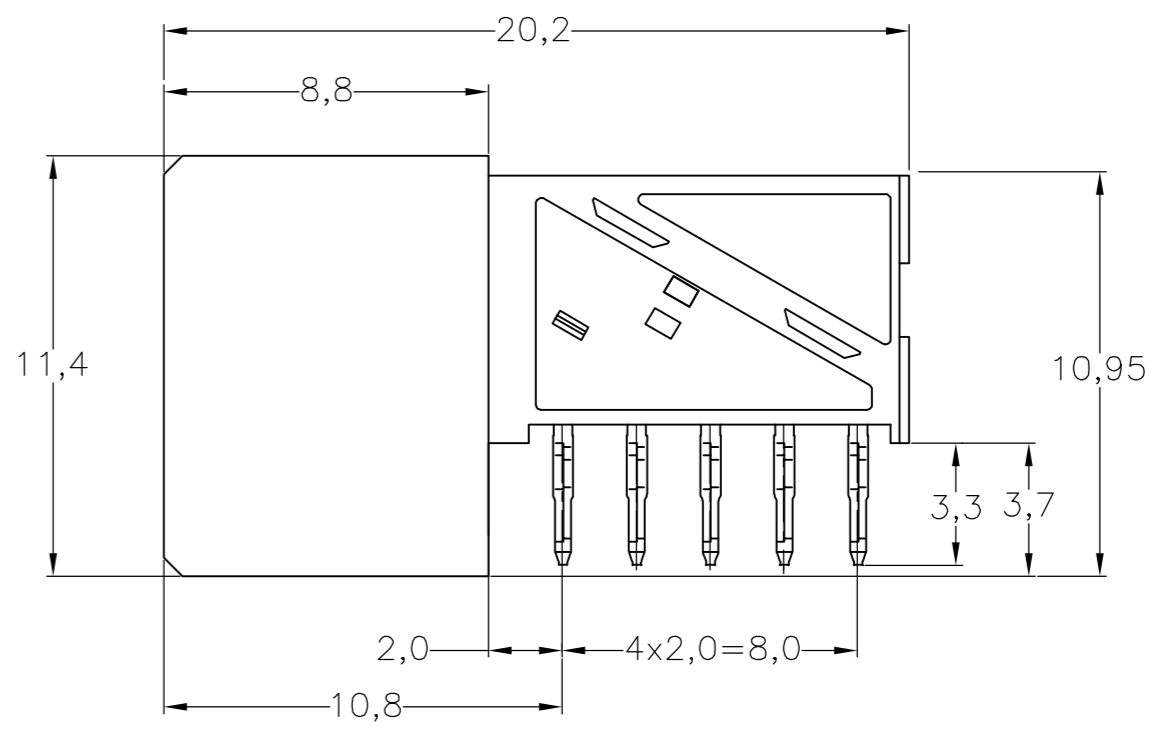
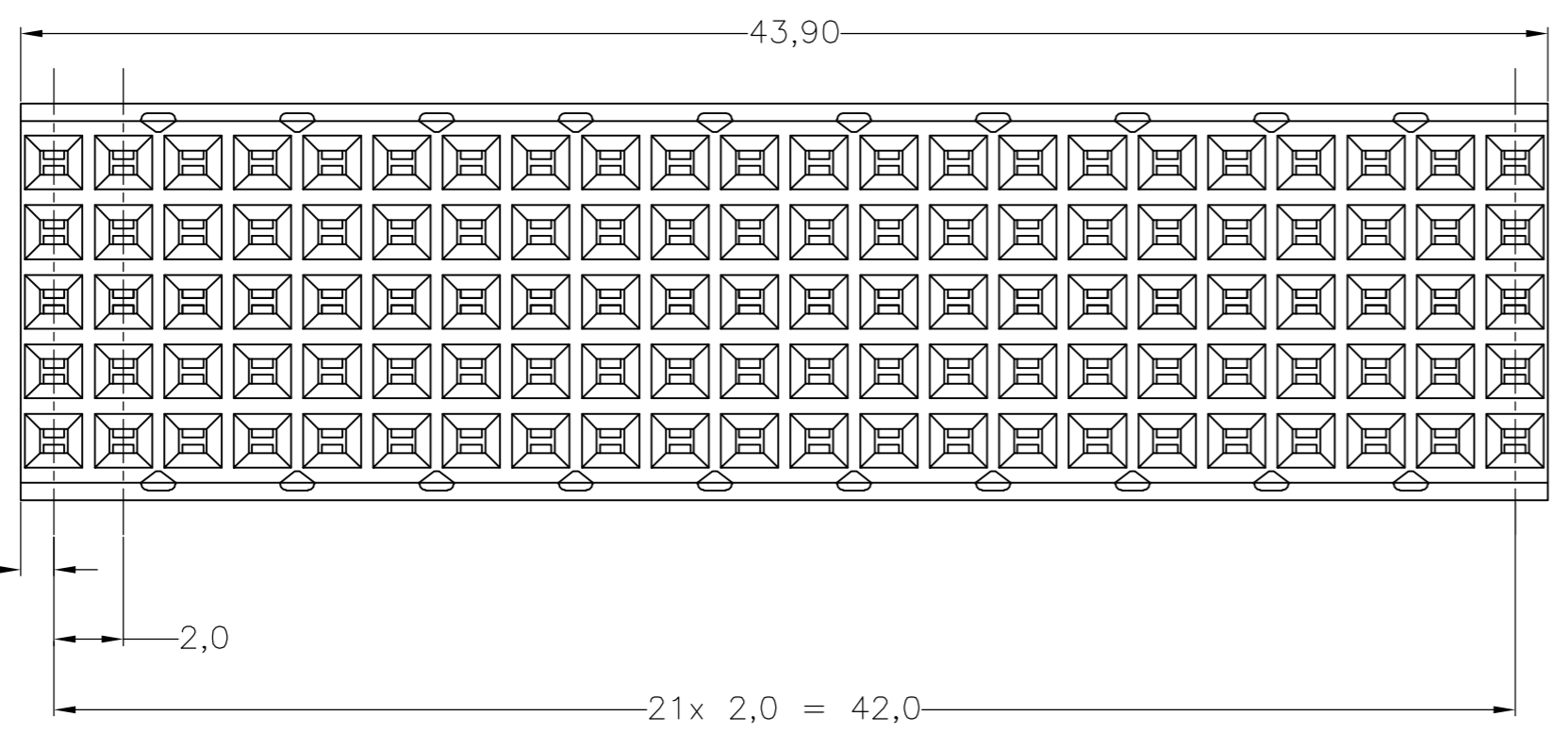
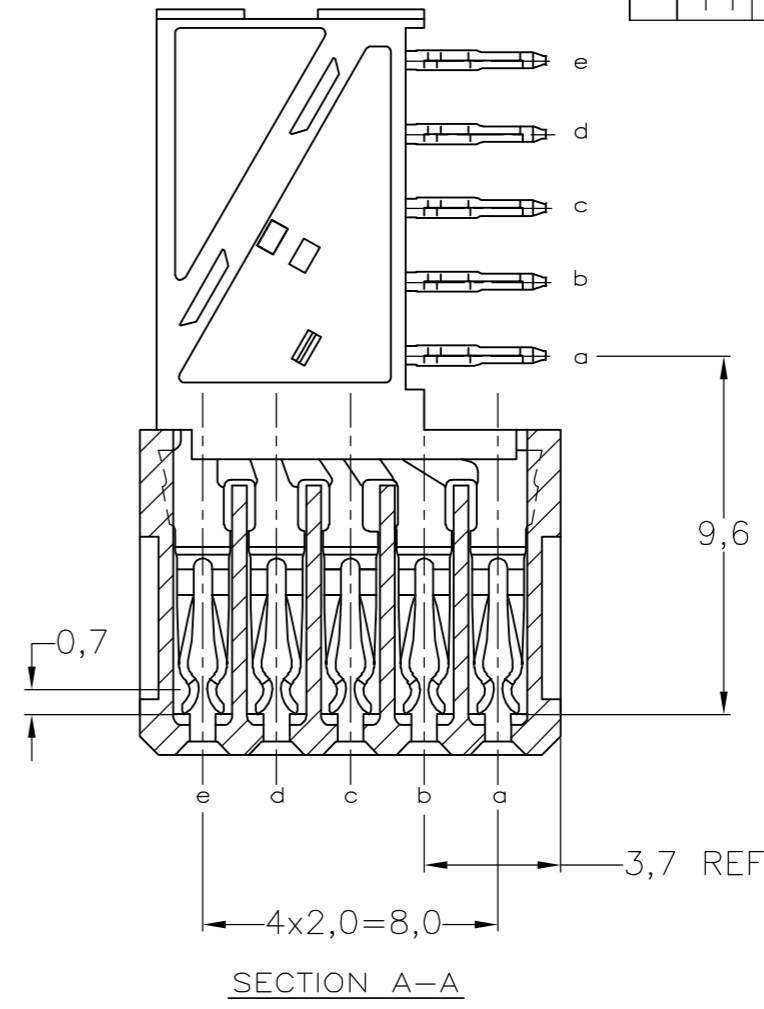
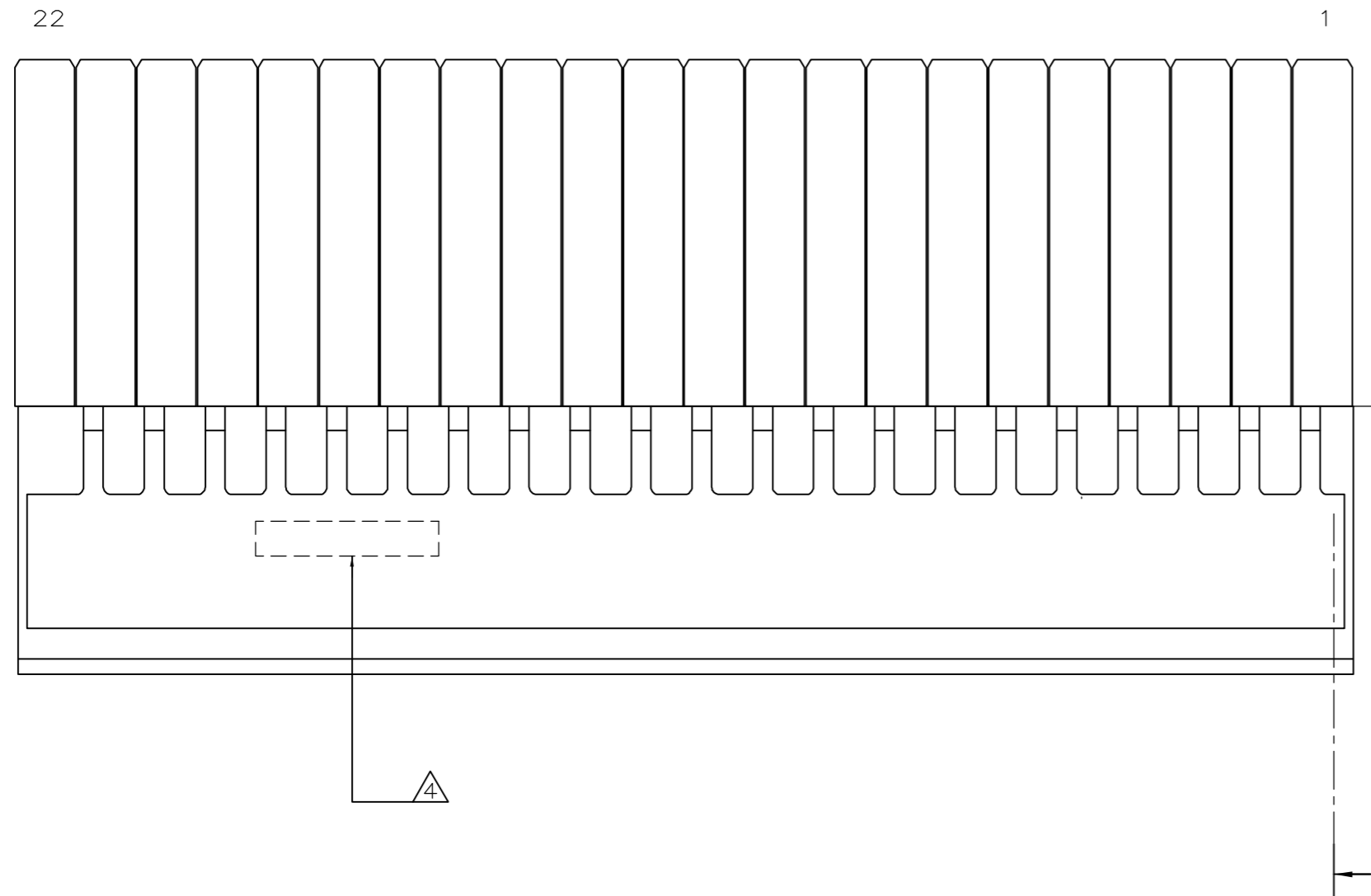
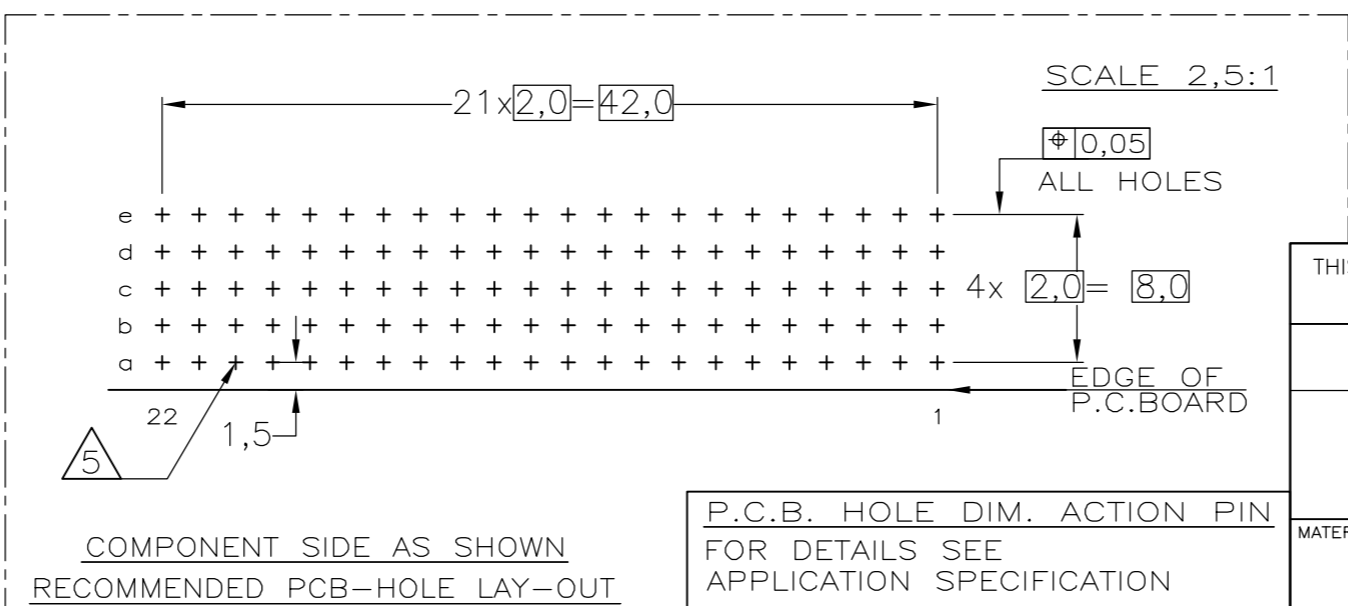


LOC		DIST		REVISIONS			
P	LTR	DESCRIPTION	DATE	DWN	APVD		
	E	EHC0-0195-04	12-05-04	DvdB	BM		
	F	EH10-0680-05	03-07-05	BSV	BM		
	F1	ECR-06-002635	07-02-06	BSV	BM		



- NOTES:
- 1 MATERIAL CONTACT; PHOSPHORBRONZE  
MATERIAL HOUSING; GLASSFILLED POLYESTER (GRAY)  
UL-RATING 94V0.
  - 2 GENERAL PLATING SPECIFICATION: UNDERPLATING (ENTIRE CONTACT):  
1,27µm NICKEL MIN. AND ACTION PIN: 0,5µm TIN-LEAD MIN.  
FOR PLATING OF MATING SURFACES SEE APPLICABLE SPECIFICATION  
REFERENCE FOR EACH DASH NUMBER.
  - 3 CONFORMS TO ALL TESTING ACCORDING IEC 61076-4-101  
PERFORMANCE LEVEL 2.
  - 4 CONNECTOR PRINTED WITH PARTNUMBER AND DATECODE
  - 5 PLATED-THROUGH HOLES AT 2x2mm SQUARE GRID. 110 HOLES
  - 6 FITS WITH INTEGRATED GROUND RETURN UPPERSHIELD  
BASIC P.N. 352151



THIS DRAWING IS A CONTROLLED DOCUMENT.		DWN E.MÖHLMANN 11FEB97	188836-1	
DIMENSIONS: MM		CHK W.V.D.HEIJDEN	PARTNUMBER	
TOLERANCES UNLESS OTHERWISE SPECIFIED:		APVD F.V.KÖNINGSBRUGGE	MATERIAL	
0 PLC ± -		PRODUCT SPEC 108-19082	FINISH	
1 PLC ± -		APPLICATION SPEC 114-19029	MATERIAL	
2 PLC ± -		WEIGHT -	PARTNUMBER	
3 PLC ± -		FINISH	188836-1	
4 PLC ± -			PARTNUMBER	
ANGLES ± -			188836-1	
MATERIAL			188836-1	
			188836-1	

tyco Electronics		Tyco Electronics Corporation s-Hertogenbosch, Netherlands,	
NAME		Z-PACK 2MM HM	
APPLICATION SPEC		110 POS. FEMALE DAUGHTER CARD CONN. (22 COLUMNS)	
SIZE	CAGE CODE	DRAWING NO	RESTRICTED TO
A2	00779	188836	-
CUSTOMER DRAWING		SCALE	SHEET
		NTS	1 OF 1
		REV	F1