

FEATURES

- **Low Drift**
 - A Grade: 10 ppm/°C Max**
 - B Grade: 20 ppm/°C Max**
- **High Accuracy**
 - A Grade: 0.05% Max**
 - B Grade: 0.1% Max**
- **Ultralow Supply Current: 850nA**
- High Output Drive Current: 5mA Min
- Low Dropout Voltage: 10mV Max
- Fully Specified from -40°C to 85°C
- Operational from -55°C to 125°C
- Wide Supply Range to 18V
- Reverse Input/Output Protection
- Available Output Voltage Options:
1.25V, 2.048V, 2.5V, 3V, 3.3V, 4.096V and 5V
- Thermal Hysteresis: 25ppm
- Available in Low Profile (1mm) ThinSOT™ and (2mm × 2mm) DFN Packages

APPLICATIONS

- Precision A/D and D/A Converters
- Portable Gas Monitors
- Battery- or Solar-Powered Systems
- Precision Regulators
- Low Voltage Signal Processing
- Micropower Remote Sensing

DESCRIPTION

The LT[®]6656 is a tiny precision voltage reference that draws less than 1 μ A of supply current and can operate with a supply voltage within 10mV of the output voltage. The LT6656 offers an initial accuracy of 0.05% and temperature drift of 10ppm/°C. The combined low power and precision characteristics are ideal for portable and battery powered instrumentation.

The LT6656 can supply up to 5mA of output drive with 65ppm/mA of load regulation, allowing it to be used as the supply voltage and the reference input to a low power ADC. The LT6656 can accept a supply voltage up to 18V and withstand the reversal of the input connections.

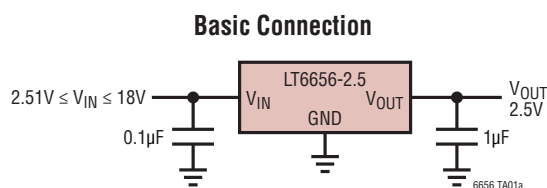
The LT6656 output is stable with 1 μ F or larger output capacitance and operates with a wide range of output capacitor ESR.

This reference is fully specified for operation from -40°C to 85°C , and is functional over the extreme temperature range of -55°C to 125°C . Low hysteresis and a consistent temperature drift are obtained through advanced design, processing and packaging techniques.

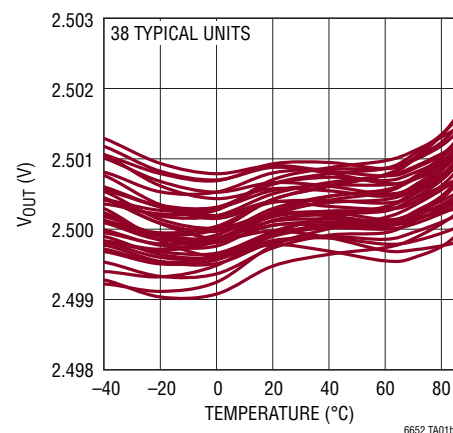
The LT6656 is offered in the 6-lead SOT-23 and (2mm × 2mm) DFN Packages.

LT, LT, LTC and LTM are registered trademarks and ThinSOT is a trademark of Linear Technology Corporation. All other trademarks are the property of their respective owners.

TYPICAL APPLICATION



**Output Voltage Temperature Drift
LT6656-2.5**

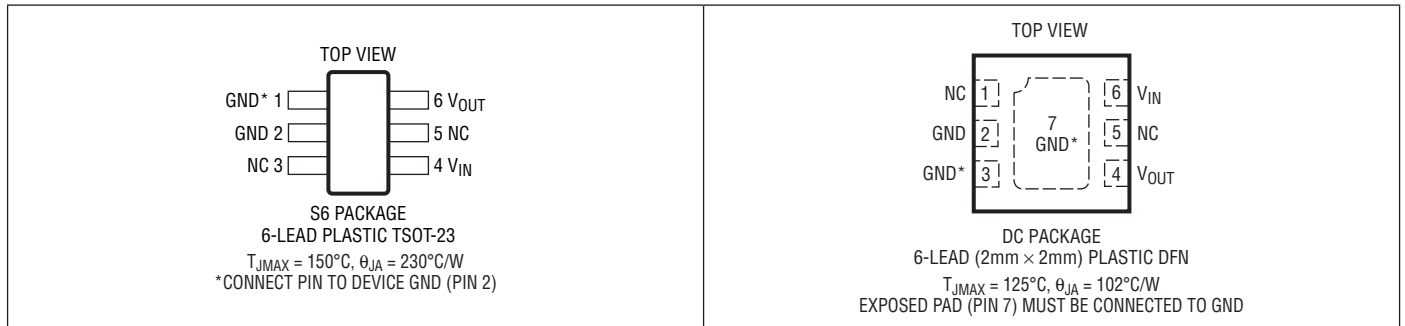


LT6656

ABSOLUTE MAXIMUM RATINGS (Note 1)

| | | | |
|--|---------------|---|----------------|
| Input Voltage..... | ±20V | Operating Temperature Range (Note 2).. | -55°C to 125°C |
| Output Voltage..... | -0.3V to 20V | Output Short Circuit Duration | Indefinite |
| Output Voltage Above Input Voltage | 20V | Junction Temperature | 150°C |
| Specified Temperature Range (Note 2) | | Storage Temperature Range (Note 3)..... | -65°C to 150°C |
| Commercial | 0°C to 70°C | Lead Temperature (Soldering, 10 sec.) | |
| Industrial | -40°C to 85°C | TSOT-23 (Note 4)..... | 300°C |

PIN CONFIGURATION



ORDER INFORMATION

LEAD FREE FINISH

| TAPE AND REEL (MINI) | TAPE AND REEL | PART MARKING* | PACKAGE DESCRIPTION | SPECIFIED TEMPERATURE RANGE |
|-------------------------|------------------------|---------------|------------------------|-----------------------------|
| LT6656ACS6-1.25#TRMPBF | LT6656ACS6-1.25#TRPBF | LTFNK | 6-Lead Plastic TSOT-23 | 0°C to 70°C |
| LT6656BCS6-1.25#TRMPBF | LT6656BCS6-1.25#TRPBF | LTFNK | 6-Lead Plastic TSOT-23 | 0°C to 70°C |
| LT6656AIS6-1.25#TRMPBF | LT6656AIS6-1.25#TRPBF | LTFNK | 6-Lead Plastic TSOT-23 | -40°C to 85°C |
| LT6656BIS6-1.25#TRMPBF | LT6656BIS6-1.25#TRPBF | LTFNK | 6-Lead Plastic TSOT-23 | -40°C to 85°C |
| LT6656ACS6-2.048#TRMPBF | LT6656ACS6-2.048#TRPBF | LTFNN | 6-Lead Plastic TSOT-23 | 0°C to 70°C |
| LT6656BCS6-2.048#TRMPBF | LT6656BCS6-2.048#TRPBF | LTFNN | 6-Lead Plastic TSOT-23 | 0°C to 70°C |
| LT6656AIS6-2.048#TRMPBF | LT6656AIS6-2.048#TRPBF | LTFNN | 6-Lead Plastic TSOT-23 | -40°C to 85°C |
| LT6656BIS6-2.048#TRMPBF | LT6656BIS6-2.048#TRPBF | LTFNN | 6-Lead Plastic TSOT-23 | -40°C to 85°C |
| LT6656ACS6-2.5#TRMPBF | LT6656ACS6-2.5#TRPBF | LTFGW | 6-Lead Plastic TSOT-23 | 0°C to 70°C |
| LT6656BCS6-2.5#TRMPBF | LT6656BCS6-2.5#TRPBF | LTFGW | 6-Lead Plastic TSOT-23 | 0°C to 70°C |
| LT6656AIS6-2.5#TRMPBF | LT6656AIS6-2.5#TRPBF | LTFGW | 6-Lead Plastic TSOT-23 | -40°C to 85°C |
| LT6656BIS6-2.5#TRMPBF | LT6656BIS6-2.5#TRPBF | LTFGW | 6-Lead Plastic TSOT-23 | -40°C to 85°C |
| LT6656ACS6-3#TRMPBF | LT6656ACS6-3#TRPBF | LTFNQ | 6-Lead Plastic TSOT-23 | 0°C to 70°C |
| LT6656BCS6-3#TRMPBF | LT6656BCS6-3#TRPBF | LTFNQ | 6-Lead Plastic TSOT-23 | 0°C to 70°C |
| LT6656AIS6-3#TRMPBF | LT6656AIS6-3#TRPBF | LTFNQ | 6-Lead Plastic TSOT-23 | -40°C to 85°C |
| LT6656BIS6-3#TRMPBF | LT6656BIS6-3#TRPBF | LTFNQ | 6-Lead Plastic TSOT-23 | -40°C to 85°C |
| LT6656ACS6-3.3#TRMPBF | LT6656ACS6-3.3#TRPBF | LTFNS | 6-Lead Plastic TSOT-23 | 0°C to 70°C |
| LT6656BCS6-3.3#TRMPBF | LT6656BCS6-3.3#TRPBF | LTFNS | 6-Lead Plastic TSOT-23 | 0°C to 70°C |
| LT6656AIS6-3.3#TRMPBF | LT6656AIS6-3.3#TRPBF | LTFNS | 6-Lead Plastic TSOT-23 | -40°C to 85°C |
| LT6656BIS6-3.3#TRMPBF | LT6656BIS6-3.3#TRPBF | LTFNS | 6-Lead Plastic TSOT-23 | -40°C to 85°C |

6656fa

ORDER INFORMATION

LEAD FREE FINISH

| TAPE AND REEL (MINI) | TAPE AND REEL | PART MARKING* | PACKAGE DESCRIPTION | SPECIFIED TEMPERATURE RANGE |
|-------------------------|------------------------|---------------|--------------------------------|-----------------------------|
| LT6656ACS6-4.096#TRMPBF | LT6656ACS6-4.096#TRPBF | LTFNV | 6-Lead Plastic TSOT-23 | 0°C to 70°C |
| LT6656BCS6-4.096#TRMPBF | LT6656BCS6-4.096#TRPBF | LTFNV | 6-Lead Plastic TSOT-23 | 0°C to 70°C |
| LT6656AIS6-4.096#TRMPBF | LT6656AIS6-4.096#TRPBF | LTFNV | 6-Lead Plastic TSOT-23 | -40°C to 85°C |
| LT6656BIS6-4.096#TRMPBF | LT6656BIS6-4.096#TRPBF | LTFNV | 6-Lead Plastic TSOT-23 | -40°C to 85°C |
| LT6656ACS6-5#TRMPBF | LT6656ACS6-5#TRPBF | LTFNX | 6-Lead Plastic TSOT-23 | 0°C to 70°C |
| LT6656BCS6-5#TRMPBF | LT6656BCS6-5#TRPBF | LTFNX | 6-Lead Plastic TSOT-23 | 0°C to 70°C |
| LT6656AIS6-5#TRMPBF | LT6656AIS6-5#TRPBF | LTFNX | 6-Lead Plastic TSOT-23 | -40°C to 85°C |
| LT6656BIS6-5#TRMPBF | LT6656BIS6-5#TRPBF | LTFNX | 6-Lead Plastic TSOT-23 | -40°C to 85°C |
| LT6656ACDC-1.25#TRMPBF | LT6656ACDC-1.25#TRPBF | LFNM | 6-Lead (2mm × 2mm) Plastic DFN | 0°C to 70°C |
| LT6656BCDC-1.25#TRMPBF | LT6656BCDC-1.25#TRPBF | LFNM | 6-Lead (2mm × 2mm) Plastic DFN | 0°C to 70°C |
| LT6656AIDC-1.25#TRMPBF | LT6656AIDC-1.25#TRPBF | LFNM | 6-Lead (2mm × 2mm) Plastic DFN | -40°C to 85°C |
| LT6656BIDC-1.25#TRMPBF | LT6656BIDC-1.25#TRPBF | LFNM | 6-Lead (2mm × 2mm) Plastic DFN | -40°C to 85°C |
| LT6656ACDC-2.048#TRMPBF | LT6656ACDC-2.048#TRPBF | LFNP | 6-Lead (2mm × 2mm) Plastic DFN | 0°C to 70°C |
| LT6656BCDC-2.048#TRMPBF | LT6656BCDC-2.048#TRPBF | LFNP | 6-Lead (2mm × 2mm) Plastic DFN | 0°C to 70°C |
| LT6656AIDC-2.048#TRMPBF | LT6656AIDC-2.048#TRPBF | LFNP | 6-Lead (2mm × 2mm) Plastic DFN | -40°C to 85°C |
| LT6656BIDC-2.048#TRMPBF | LT6656BIDC-2.048#TRPBF | LFNP | 6-Lead (2mm × 2mm) Plastic DFN | -40°C to 85°C |
| LT6656ACDC-2.5#TRMPBF | LT6656ACDC-2.5#TRPBF | LFGX | 6-Lead (2mm × 2mm) Plastic DFN | 0°C to 70°C |
| LT6656BCDC-2.5#TRMPBF | LT6656BCDC-2.5#TRPBF | LFGX | 6-Lead (2mm × 2mm) Plastic DFN | 0°C to 70°C |
| LT6656AIDC-2.5#TRMPBF | LT6656AIDC-2.5#TRPBF | LFGX | 6-Lead (2mm × 2mm) Plastic DFN | -40°C to 85°C |
| LT6656BIDC-2.5#TRMPBF | LT6656BIDC-2.5#TRPBF | LFGX | 6-Lead (2mm × 2mm) Plastic DFN | -40°C to 85°C |
| LT6656ACDC-3#TRMPBF | LT6656ACDC-3#TRPBF | LFNR | 6-Lead (2mm × 2mm) Plastic DFN | 0°C to 70°C |
| LT6656BCDC-3#TRMPBF | LT6656BCDC-3#TRPBF | LFNR | 6-Lead (2mm × 2mm) Plastic DFN | 0°C to 70°C |
| LT6656AIDC-3#TRMPBF | LT6656AIDC-3#TRPBF | LFNR | 6-Lead (2mm × 2mm) Plastic DFN | -40°C to 85°C |
| LT6656BIDC-3#TRMPBF | LT6656BIDC-3#TRPBF | LFNR | 6-Lead (2mm × 2mm) Plastic DFN | -40°C to 85°C |
| LT6656ACDC-3.3#TRMPBF | LT6656ACDC-3.3#TRPBF | LFNT | 6-Lead (2mm × 2mm) Plastic DFN | 0°C to 70°C |
| LT6656BCDC-3.3#TRMPBF | LT6656BCDC-3.3#TRPBF | LFNT | 6-Lead (2mm × 2mm) Plastic DFN | 0°C to 70°C |
| LT6656AIDC-3.3#TRMPBF | LT6656AIDC-3.3#TRPBF | LFNT | 6-Lead (2mm × 2mm) Plastic DFN | -40°C to 85°C |
| LT6656BIDC-3.3#TRMPBF | LT6656BIDC-3.3#TRPBF | LFNT | 6-Lead (2mm × 2mm) Plastic DFN | -40°C to 85°C |
| LT6656ACDC-4.096#TRMPBF | LT6656ACDC-4.096#TRPBF | LFNW | 6-Lead (2mm × 2mm) Plastic DFN | 0°C to 70°C |
| LT6656BCDC-4.096#TRMPBF | LT6656BCDC-4.096#TRPBF | LFNW | 6-Lead (2mm × 2mm) Plastic DFN | 0°C to 70°C |
| LT6656AIDC-4.096#TRMPBF | LT6656AIDC-4.096#TRPBF | LFNW | 6-Lead (2mm × 2mm) Plastic DFN | -40°C to 85°C |
| LT6656BIDC-4.096#TRMPBF | LT6656BIDC-4.096#TRPBF | LFNW | 6-Lead (2mm × 2mm) Plastic DFN | -40°C to 85°C |
| LT6656ACDC-5#TRMPBF | LT6656ACDC-5#TRPBF | LFNY | 6-Lead (2mm × 2mm) Plastic DFN | 0°C to 70°C |
| LT6656BCDC-5#TRMPBF | LT6656BCDC-5#TRPBF | LFNY | 6-Lead (2mm × 2mm) Plastic DFN | 0°C to 70°C |
| LT6656AIDC-5#TRMPBF | LT6656AIDC-5#TRPBF | LFNY | 6-Lead (2mm × 2mm) Plastic DFN | -40°C to 85°C |
| LT6656BIDC-5#TRMPBF | LT6656BIDC-5#TRPBF | LFNY | 6-Lead (2mm × 2mm) Plastic DFN | -40°C to 85°C |

Consult LTC Marketing for parts specified with wider operating temperature ranges. *The temperature grade is identified by a label on the shipping container. Consult LTC Marketing for information on non-standard lead based finish parts.

For more information on lead free part marking, go to: <http://www.linear.com/leadfree/>

For more information on tape and reel specifications, go to: <http://www.linear.com/tapeandreeel/>

AVAILABLE OPTIONS

| OUTPUT VOLTAGE | INITIAL ACCURACY | TEMPERATURE COEFFICIENT | SPECIFIED TEMPERATURE RANGE | |
|----------------|------------------|-------------------------|-----------------------------|--------------------|
| | | | 0°C TO 70°C | -40°C TO 85°C |
| | | | ORDER PART NUMBER* | ORDER PART NUMBER* |
| 1.250V | 0.05% | 10ppm/°C | LT6656ACS6-1.25 | LT6656AIS6-1.25 |
| | 0.10% | 20ppm/°C | LT6656BCS6-1.25 | LT6656BIS6-1.25 |
| | 0.10% | 10ppm/°C | LT6656ACDC-1.25 | LT6656AIDC-1.25 |
| | 0.20% | 20ppm/°C | LT6656BCDC-1.25 | LT6656BIDC-1.25 |
| 2.048V | 0.05% | 10ppm/°C | LT6656ACS6-2.048 | LT6656AIS6-2.048 |
| | 0.10% | 20ppm/°C | LT6656BCS6-2.048 | LT6656BIS6-2.048 |
| | 0.10% | 10ppm/°C | LT6656ACDC-2.048 | LT6656AIDC-2.048 |
| | 0.20% | 20ppm/°C | LT6656BCDC-2.048 | LT6656BIDC-2.048 |
| 2.500V | 0.05% | 10ppm/°C | LT6656ACS6-2.5 | LT6656AIS6-2.5 |
| | 0.10% | 20ppm/°C | LT6656BCS6-2.5 | LT6656BIS6-2.5 |
| | 0.10% | 10ppm/°C | LT6656ACDC-2.5 | LT6656AIDC-2.5 |
| | 0.20% | 20ppm/°C | LT6656BCDC-2.5 | LT6656BIDC-2.5 |
| 3.000V | 0.05% | 10ppm/°C | LT6656ACS6-3 | LT6656AIS6-3 |
| | 0.10% | 20ppm/°C | LT6656BCS6-3 | LT6656BIS6-3 |
| | 0.10% | 10ppm/°C | LT6656ACDC-3 | LT6656AIDC-3 |
| | 0.20% | 20ppm/°C | LT6656BCDC-3 | LT6656BIDC-3 |
| 3.300V | 0.05% | 10ppm/°C | LT6656ACS6-3.3 | LT6656AIS6-3.3 |
| | 0.10% | 20ppm/°C | LT6656BCS6-3.3 | LT6656BIS6-3.3 |
| | 0.10% | 10ppm/°C | LT6656ACDC-3.3 | LT6656AIDC-3.3 |
| | 0.20% | 20ppm/°C | LT6656BCDC-3.3 | LT6656BIDC-3.3 |
| 4.096V | 0.05% | 10ppm/°C | LT6656ACS6-4.096 | LT6656AIS6-4.096 |
| | 0.10% | 20ppm/°C | LT6656BCS6-4.096 | LT6656BIS6-4.096 |
| | 0.10% | 10ppm/°C | LT6656ACDC-4.096 | LT6656AIDC-4.096 |
| | 0.20% | 20ppm/°C | LT6656BCDC-4.096 | LT6656BIDC-4.096 |
| 5.000V | 0.05% | 10ppm/°C | LT6656ACS6-5 | LT6656AIS6-5 |
| | 0.10% | 20ppm/°C | LT6656BCS6-5 | LT6656BIS6-5 |
| | 0.10% | 10ppm/°C | LT6656ACDC-5 | LT6656AIDC-5 |
| | 0.20% | 20ppm/°C | LT6656BCDC-5 | LT6656BIDC-5 |

*See Order Information section for complete part number listing.

ELECTRICAL CHARACTERISTICS The ● denotes the specifications which apply over the specified temperature range, otherwise specifications are at $T_A = 25^\circ\text{C}$. $V_{IN} = V_{OUT} + 0.5\text{V}$ (for LT6656-1.25, $V_{IN} = 2.2\text{V}$), $C_L = 1\mu\text{F}$, $I_L = 0$, unless otherwise noted.

| PARAMETER | CONDITIONS | | MIN | TYP | MAX | UNITS |
|---|--|---|-------|------|------|--------------------------------|
| Output Voltage Error | LT6656ACS6, LT6656AIS6 | | -0.05 | | 0.05 | % |
| | LT6656BCS6, LT6656BIS6 | | -0.1 | | 0.1 | % |
| | LT6656ACDC, LT6656AIDC | | -0.1 | | 0.1 | % |
| | LT6656BCDC, LT6656BIDC | | -0.2 | | 0.2 | % |
| | | | | | | |
| Output Voltage Temperature Coefficient (Note 5) | LT6656A | ● | | 5 | 10 | ppm/ $^\circ\text{C}$ |
| | LT6656B | ● | | 12 | 20 | ppm/ $^\circ\text{C}$ |
| Line Regulation | $V_{IN} = (V_{OUT} + 0.5\text{V})$ to 18V LT6656-2.048, LT6656-2.5, LT6656-3, LT6656-3.3, LT6656-4.096, LT6656-5 | ● | | 2 | 25 | ppm/V ppm/V |
| | $V_{IN} = 2.2\text{V}$ to 18V LT6656-1.25 | ● | | 2 | 25 | ppm/V ppm/V |
| Load Regulation (Note 6) | $I_L = 5\text{mA}$, Sourcing LT6656-2.048, LT6656-2.5, LT6656-3, LT6656-3.3, LT6656-4.096, LT6656-5 | ● | | 65 | 150 | ppm/mA ppm/mA |
| | $I_L = 5\text{mA}$, Sourcing LT6656-1.25 | ● | | 80 | 175 | ppm/mA ppm/mA |
| Dropout Voltage (Note 7) | $V_{IN} - V_{OUT}$, ΔV_{OUT} Error $\leq 0.1\%$ $I_L = 0$ LT6656-2.048, LT6656-2.5, LT6656-3, LT6656-3.3, LT6656-4.096, LT6656-5 | ● | | 3 | 10 | mV mV |
| | $I_L = 5\text{mA}$, Sourcing LT6656-2.048, LT6656-2.5, LT6656-3, LT6656-3.3, LT6656-4.096, LT6656-5 | ● | | 250 | 370 | mV mV |
| Minimum Input Voltage | $I_L = 0$, ΔV_{OUT} Error $\leq 0.1\%$ LT6656-1.25 | | | 1.35 | 1.5 | V |
| | $0^\circ\text{C} \leq T_A \leq 70^\circ\text{C}$ | ● | | | 1.6 | V |
| | $-40^\circ\text{C} \leq T_A \leq 85^\circ\text{C}$ | ● | | | 1.8 | V |
| Supply Current | | ● | | 0.85 | 1.0 | μA μA |
| Output Short Circuit Current | Short V_{OUT} to GND | | | 18 | | mA |
| | Short V_{OUT} to V_{IN} | | | 4 | | mA |
| Input Reverse Leakage Current | $V_{IN} = -18\text{V}$, $V_{OUT} = \text{GND}$ | | | 80 | | μA |
| Reverse Output Current | $V_{IN} = \text{GND}$, $V_{OUT} = 18\text{V}$ | | | 30 | | μA |
| Output Voltage Noise (Note 8) | 0.1Hz to 10Hz | | | 30 | | ppm _{P-P} |
| | 10Hz to 1kHz, LT6656-1.25 | | | 50 | | μV_{RMS} |
| | 10Hz to 1kHz, LT6656-2.5 | | | 80 | | μV_{RMS} |
| | 10Hz to 1kHz, LT6656-5 | | | 140 | | μV_{RMS} |
| Turn-On Time | LT6656-1.25, 0.1% Settling | | | 15 | | ms |
| | LT6656-2.5, 0.1% Settling | | | 30 | | ms |
| | LT6656-5, 0.1% Settling | | | 60 | | ms |
| Long Term Drift of Output Voltage (Note 9) | | | | 50 | | ppm/ $\sqrt{\text{kHz}}$ |
| Hysteresis (Note 10) | $\Delta T = 0^\circ\text{C}$ to 70°C | | | 25 | | ppm |
| | $\Delta T = -40^\circ\text{C}$ to 85°C | | | 70 | | ppm |

ELECTRICAL CHARACTERISTICS

Note 1: Stresses beyond those listed under Absolute Maximum Ratings may cause permanent damage to the device. Exposure to any Absolute Maximum Rating condition for extended periods may affect device reliability and lifetime.

Note 2: The LT6656C is guaranteed to meet specified performance from 0°C to 70°C. The LT6656C is designed, characterized and expected to meet specified performance from -40°C to 85°C but is not tested or QA sampled at these temperatures. The LT6656I is guaranteed to meet specified performance from -40°C to 85°C. By design, the LT6656 is guaranteed functional over the operating temperature range of -55°C to 125°C.

Note 3: If the LT6656 is stored outside of the specified temperature range, the output may shift due to hysteresis.

Note 4: The stated temperature is typical for soldering of the leads during manual rework. For detailed IR reflow recommendations, refer to the Applications section.

Note 5: Temperature coefficient is measured by dividing the maximum change in output voltage by the specified temperature range.

Note 6: Load regulation is measured with a pulse from no load to the specified load current. Output changes due to die temperature change must be taken into account separately.

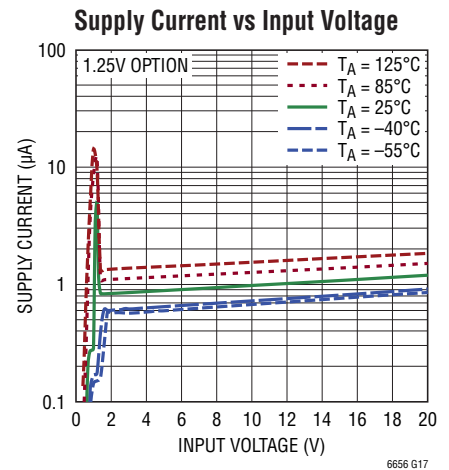
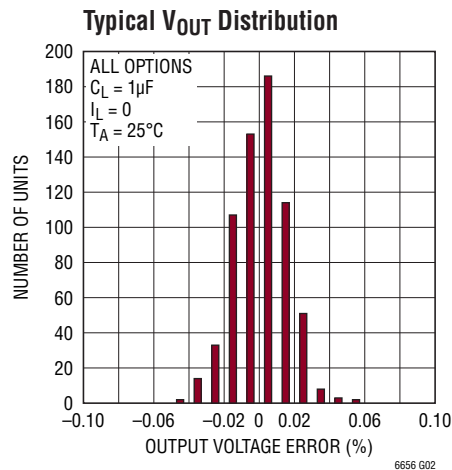
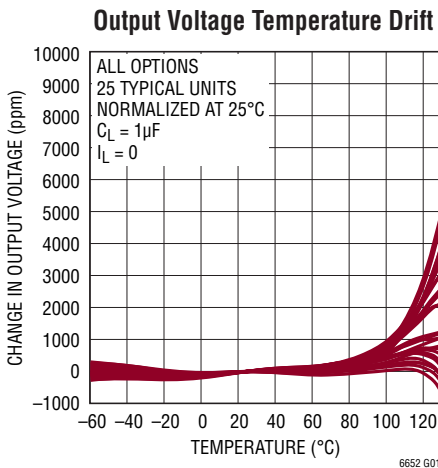
Note 7: Excludes load regulation errors.

Note 8: Peak-to-peak noise is measured with a 3-pole highpass filter at 0.1Hz and a 4-pole lowpass filter at 10Hz. The unit is enclosed in a still-air environment to eliminate thermocouple effects on the leads. The test time is 10 seconds. RMS noise is measured on a spectrum analyzer in a shielded environment.

Note 9: Long term stability typically has a logarithmic characteristic and therefore, changes after 1000 hours tend to be much smaller than before that time. Total drift in the second thousand hours is normally less than one third that of the first thousand hours with a continuing trend toward reduced drift with time. Long-term stability will also be affected by differential stresses between the IC and the board material created during board assembly.

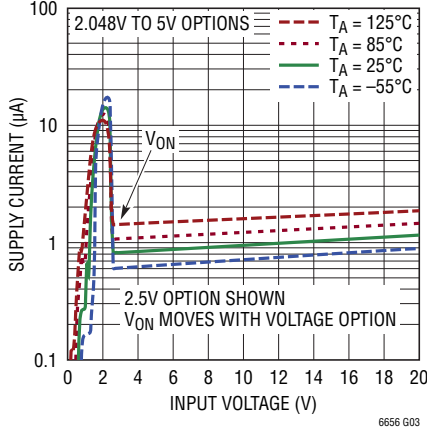
Note 10: Hysteresis in output voltage is created by mechanical stress that differs depending on whether the IC was previously at a higher or lower temperature. Output voltage is always measured at 25°C, but the IC is cycled to the hot or cold temperature limit before successive measurements. For instruments that are stored at well controlled temperatures (within 20 or 30 degrees of operational temperature) hysteresis is usually not a dominant error source.

TYPICAL PERFORMANCE CHARACTERISTICS

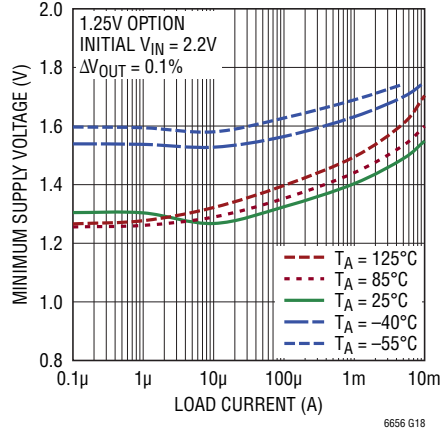


TYPICAL PERFORMANCE CHARACTERISTICS

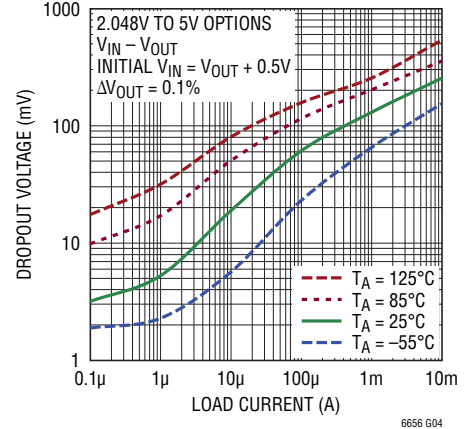
Supply Current vs Input Voltage



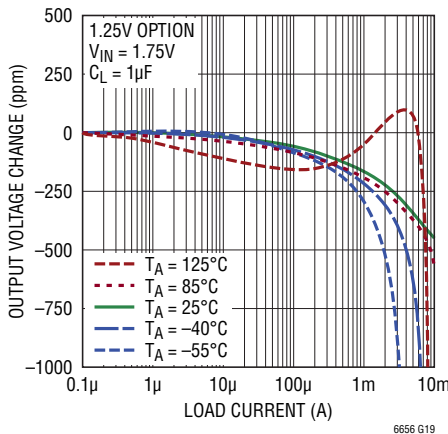
Minimum Supply Voltage vs Load Current



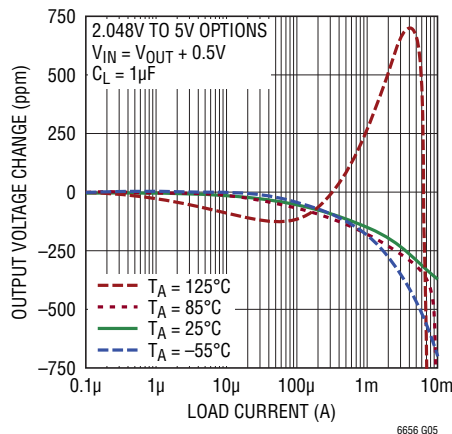
Dropout Voltage vs Load Current



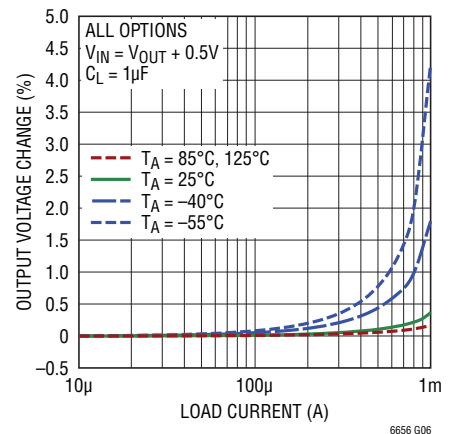
Load Regulation (Sourcing)



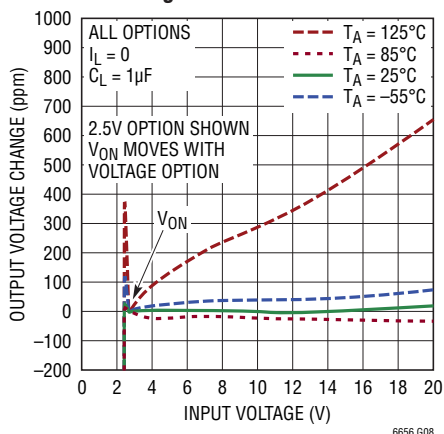
Load Regulation (Sourcing)



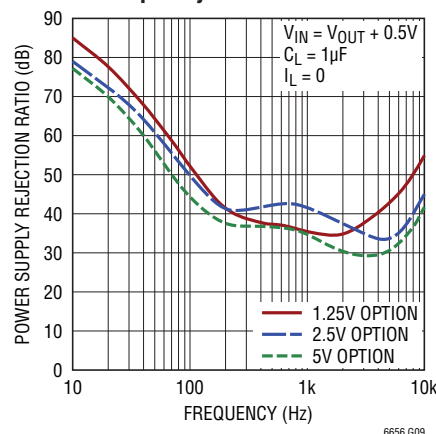
Load Regulation (Sinking)



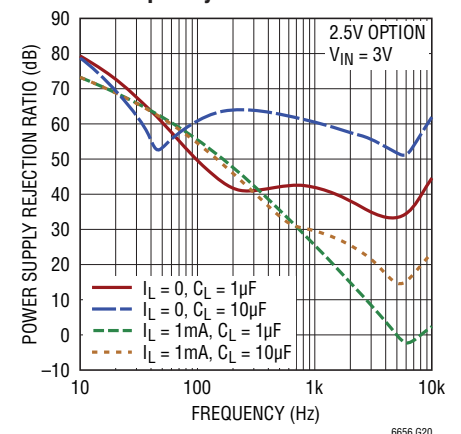
Line Regulation



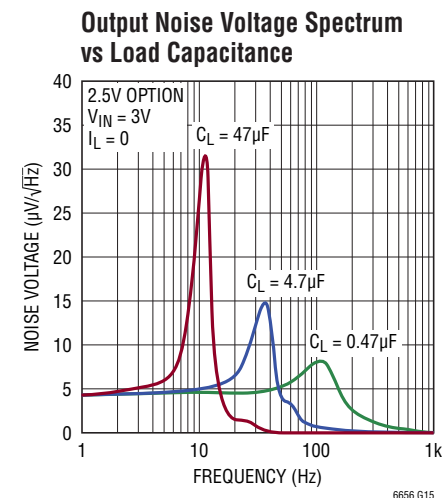
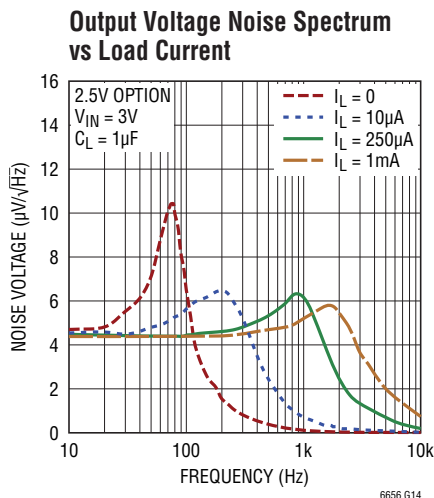
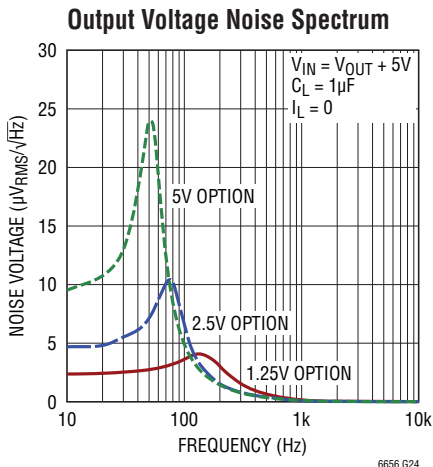
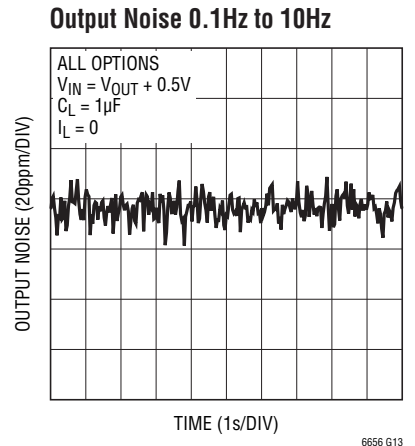
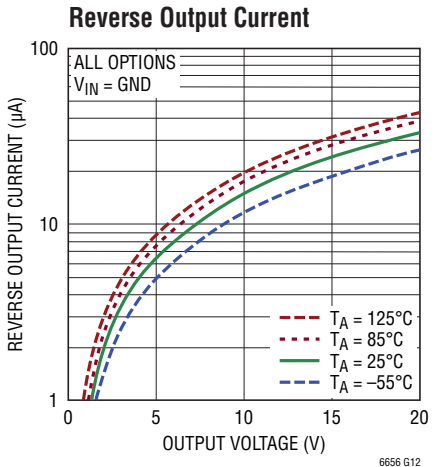
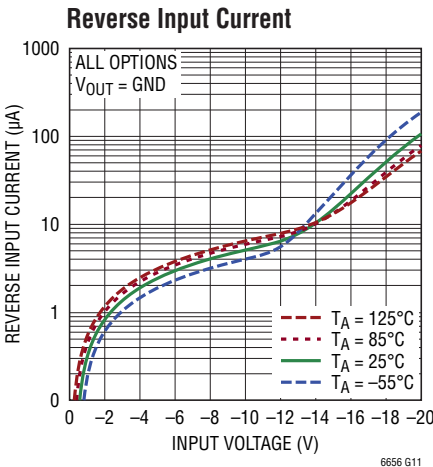
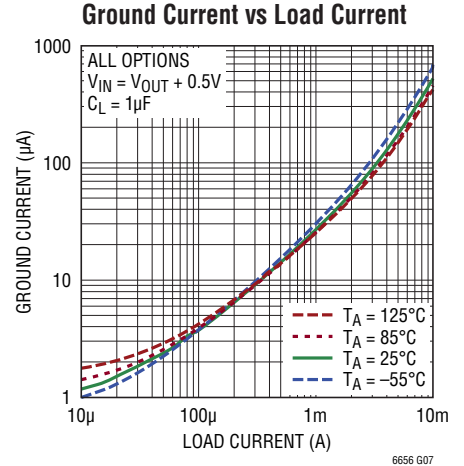
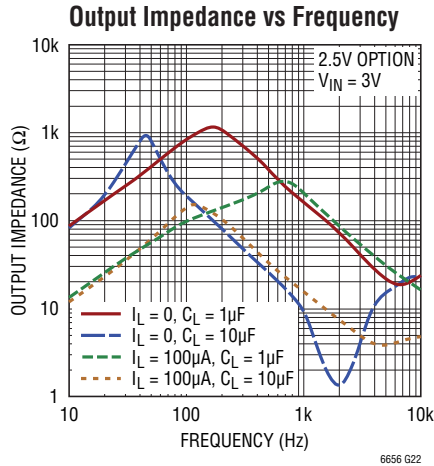
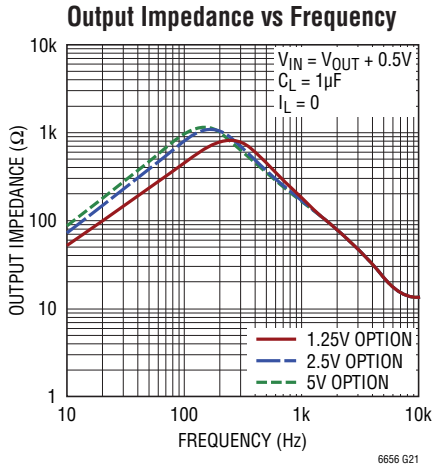
Power Supply Rejection Ratio vs Frequency



Power Supply Rejection Ratio vs Frequency

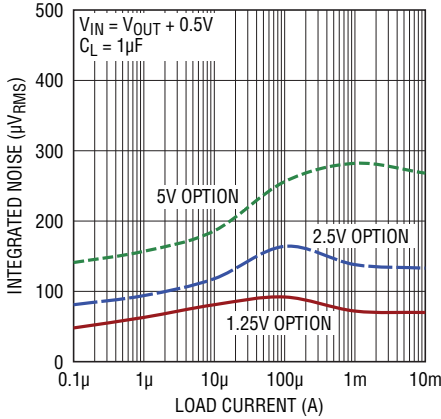


TYPICAL PERFORMANCE CHARACTERISTICS

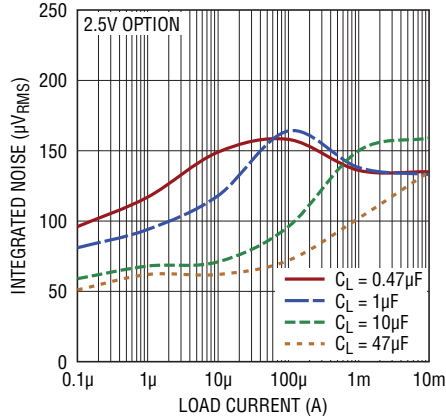


TYPICAL PERFORMANCE CHARACTERISTICS

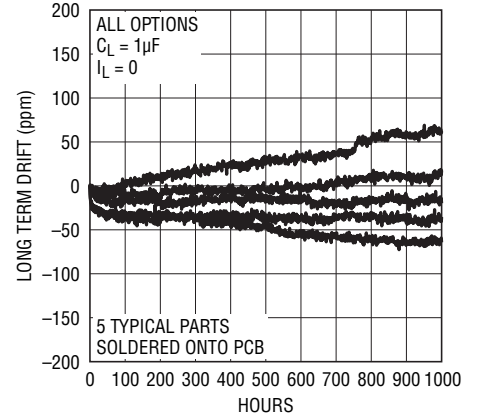
Integrated 10Hz to 1kHz Noise vs Load Current



Integrated 10Hz to 1kHz Noise vs Load Current



Long-Term Drift



PIN FUNCTIONS

GND*: Internal Function. This pin must be tied to ground.

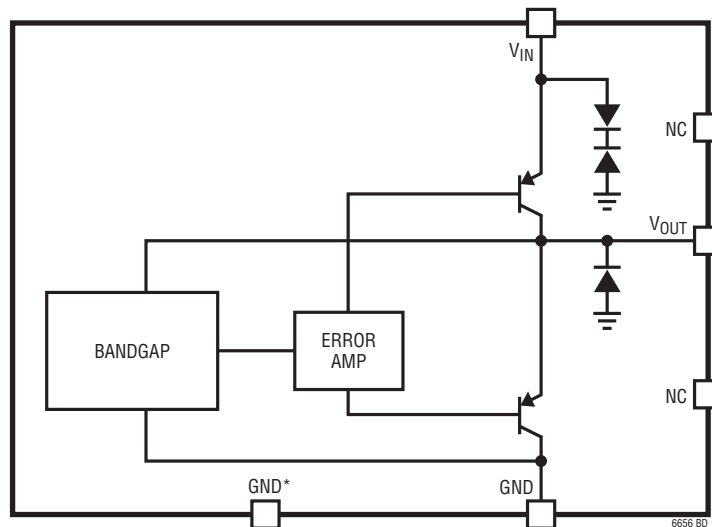
GND: Device Ground.

NC: Not internally connected. May be tied to V_{IN} , V_{OUT} , GND or floated.

V_{IN} : Power Supply. Bypass V_{IN} with a $0.1\mu F$ capacitor to ground.

V_{OUT} : Output Voltage. An output capacitor of $1\mu F$ minimum is required for stable operation.

BLOCK DIAGRAM



APPLICATIONS INFORMATION

Long Battery Life

Series references have a large advantage over shunt style references. Shunt references require a resistor from the power supply to operate. This resistor must be chosen to supply the maximum current that can be demanded by the load. When the load is not operating at this maximum current, the shunt reference must always sink this current, resulting in high dissipation and shortened battery life.

The LT6656 series reference does not require a current setting resistor and is specified to operate with any supply from 1.5V to 18V, depending on the output voltage option, load current and operating temperature (see Dropout Voltage and Minimum Input Voltage in the Typical Performance Characteristics). When the load does not demand current, the LT6656 reduces its dissipation and battery life is extended. If the reference is not delivering load current, it dissipates only a few μW , yet the same connection can deliver 5mA of load current when required.

Start-Up

To ensure proper start-up, the output voltage should be between -0.3V and the rated output voltage. If the output load may be driven more than 0.3V below ground, a low forward voltage schottky diode from the output to ground is required. The turn-on characteristics can be seen in Figure 1.

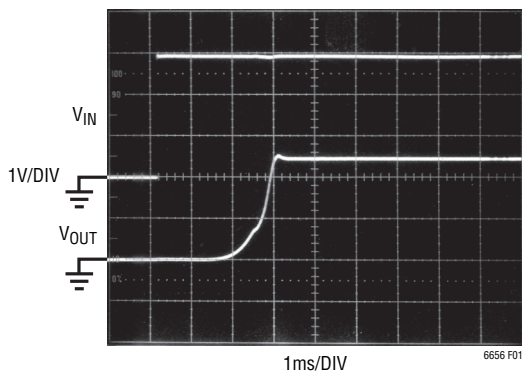


Figure 1. LT6656-2.5 Turn-On Characteristics, $C_L = 1\mu\text{F}$

Output Voltage Options

The performance of the LT6656 is consistent for the 2.048V to 5V options. The 1.25V option has slightly reduced load regulation, and unlike the higher voltage options, the minimum operating supply voltage is limited by internal circuitry rather than the output voltage.

Parameters that are based on changes in the output voltage, such as load regulation and hysteresis, remain proportional to the output voltage and are specified in relative units, for example, parts per million (ppm). Parameters that are not based on changes in the output voltage, such as supply current and reverse input current, are the same for all options.

The bandwidth of the LT6656 decreases with higher output voltage. This causes parameters that are affected by both bandwidth and output voltage, such as wideband noise and output impedance, to increase less with higher output voltage.

Bypass and Load Capacitance

The LT6656 voltage reference needs a $0.1\mu\text{F}$ input bypass capacitor placed within an inch of the input pin. An additional $2.2\mu\text{F}$ capacitor should be used when the source impedance of the input supply is high or when driving heavy loads. The bypassing of other local devices may serve as the required components. The output of the LT6656 requires a capacitance of $1\mu\text{F}$ or larger. The LT6656 is stable with a wide variety of capacitor types including ceramic, tantalum and electrolytic due to its low sensitivity to ESR (5Ω or less).

The test circuit in Figure 2 was used to test the response and stability of the LT6656 to various load currents. The resultant transient responses can be seen in Figure 3 and Figure 4. The large scale output response to a 500mV input step is shown in Figure 5 with a more detailed photo and description in the Output Settling section.

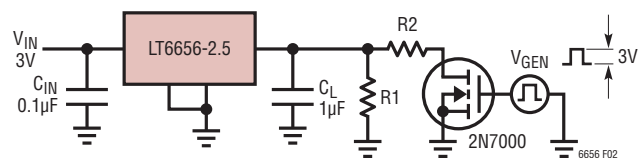


Figure 2. Transient Load Test Circuit

APPLICATIONS INFORMATION

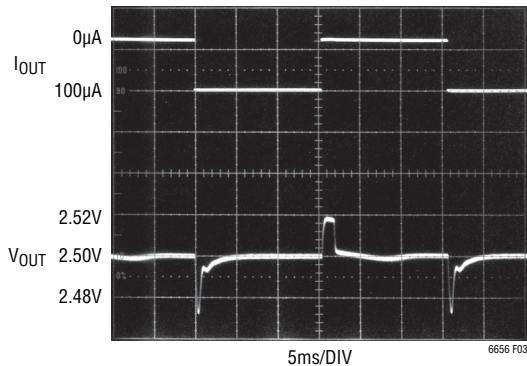


Figure 3. Transient Response, 0µA to 100µA Load Step (R2 = 24.9k, R1 = Open)

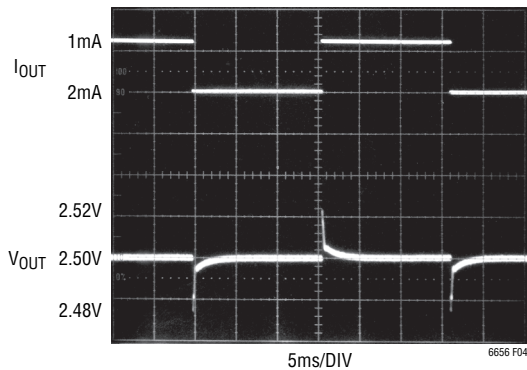


Figure 4. Transient Response, 1mA to 2mA Load Step (R1 = R2 = 2.49k)

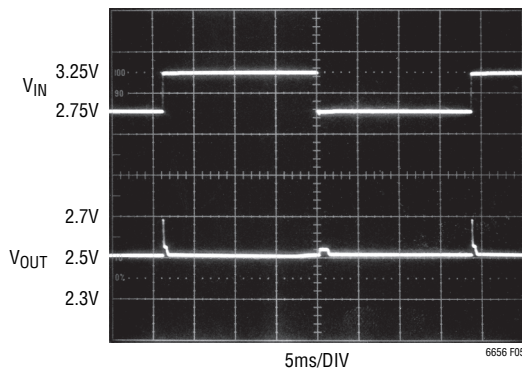


Figure 5. Output Response to 0.5V_{p-p} Step on V_{IN}, C_L = 1µF, I_L = 0

Output Settling

The output of the LT6656 is primarily designed to source current into a load, but is capable of sinking current to aid in output transient recovery. The output stage uses a class B architecture to minimize quiescent current and has a crossover dead band as the output transitions from sourcing to sinking current.

The settling time is typically less than 8ms for output loads up to 5mA, however the time required to settle when the load is turned off or in response to an input transient can be significantly longer due to the dead band (shown in Figure 7). During this interval the output stage is neither sourcing nor sinking current so the settling time is dominated by the ability of the application circuit to discharge the output capacitor to the voltage at which the sourcing circuitry in the output stage reactivates. Larger load currents will decrease the settling time and higher output capacitance will increase the settling time.

In application circuits where the LT6656 is experiencing a load step greater than 5µA, such as an ADC reference and supply implementation, the settling time will typically remain less than 8ms, regardless of the output settling from a previous load step.

The settling time can be estimated by the following equation:

$$\text{Settling time} \approx \frac{2(\text{Deadband})(C_L)}{I_L} + (V_{OUT})(0.8\text{ms/V})$$

The deadband is ≈7mV for the 2.5V option, is proportional to the voltage option (i.e., ≈14mV for the 5V option) and can double due to variations in processing.

The graph in Figure 6 shows the settling time versus load step with no load and with a constant 2µA load applied. Note the settling time can be longer with load steps that are not large enough to activate the sinking side of the output stage.

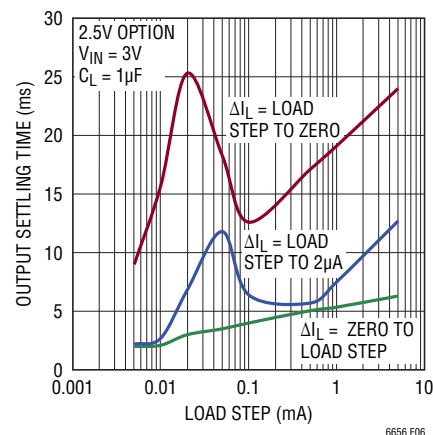


Figure 6. Output Settling Time to 0.05% vs Load Step

APPLICATIONS INFORMATION

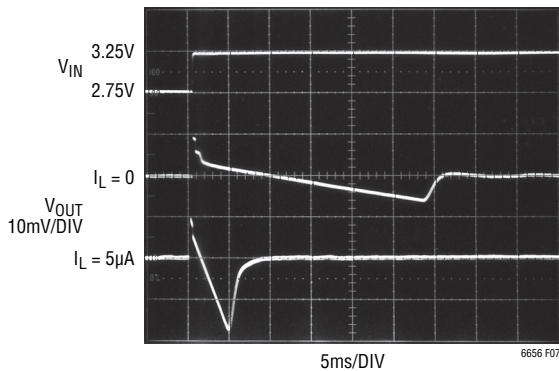


Figure 7. Detailed Output Response to a 0.5V Input Step,
 $C_{IN} = C_L = 1\mu F$

The photo in Figure 7 shows the output response to a 0.5V input step in both a no-load and 5 μ A load condition. In the no-load condition only the bias current of the internal bandgap reference (about 400nA) is available to discharge the output capacitor.

Output Noise

Low frequency noise is proportional to the output voltage and is insensitive to output current and moderate levels of output capacitance.

Wideband noise increases less with higher output voltage and is proportional to the bandwidth of the output stage, increasing with higher load current and lower output capacitance.

Peaking in the noise response is another factor contributing to the output noise level for a given frequency range. Noise peaking can be reduced by increasing the size of the output capacitor when driving heavier loads, or conversely, reducing the size of the output capacitor when driving lighter loads. Noise plots in the Typical Performance Curves section show noise spectrum with various load currents and output capacitances.

Internal Protection

The LT6656 incorporates several internal protection features that make it ideal for use in battery powered systems. Reverse input protection limits the input current to typically less than 40 μ A when either the LT6656 or the battery is installed backwards. In systems where the output can be held up by a backup battery with the

input pulled to ground, the reverse output protection of the LT6656 limits the output current to typically less than 30 μ A. The current versus reverse voltage is shown in the Typical Performance Characteristics section.

Long-Term Drift

Long-term drift cannot be extrapolated from accelerated high temperature testing. This erroneous technique gives drift numbers that are wildly optimistic. A more realistic way to determine long-term drift is to measure it over the time interval of interest. The LT6656 drift data was taken over 100 parts that were soldered onto PC boards in a typical application configuration. The boards were then placed into a constant temperature oven with $T_A = 30^\circ\text{C}$, their outputs scanned regularly and measured with an 8.5 digit DVM. The parts chosen in the Long Term Drift curves in the Typical Performance Characteristics section represent high, low and typical units.

Hysteresis

Hysteresis on the LT6656 is measured in two steps, for example, from 25°C to -40°C to 25°C , then from 25°C to 85°C to 25°C , for the industrial temperature range. This two-step cycle is repeated several times and the maximum hysteresis from all the partial cycles is noted. Unlike other commonly used methods for specifying hysteresis, this ensures the worst-case hysteresis is included, whether it occurs in the first temperature excursion or the last.

Results over both commercial and industrial temperature ranges are shown in Figure 8 and Figure 9. The parts cycled over the higher temperature range have a higher hysteresis than those cycled over the lower range.

Power Dissipation

The LT6656 will not exceed the maximum junction temperature when operating within its specified temperature range of -40°C to 85°C , maximum input voltage of 18V and specified load current of 5mA.

IR Reflow Shift

The different expansion and contraction rates of the materials that make up the LT6656 package may induce small stresses on the die that can cause the output to shift during

APPLICATIONS INFORMATION

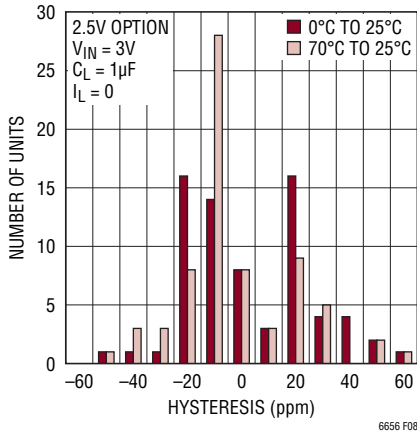


Figure 8. 0°C to 70°C Hysteresis

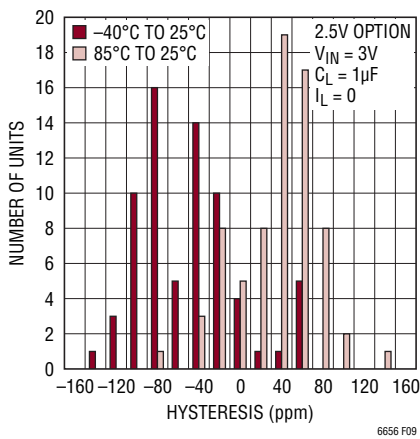


Figure 9. -40°C to 85°C Hysteresis

IR reflow. Common lead free IR reflow profiles reach over 250°C, considerably more than lead solder profiles. The higher reflow temperature of the lead free parts exacerbates the issue of thermal expansion and contraction causing the output shift to generally be greater than with a leaded reflow process.

The lead free IR reflow profile used to experimentally measure the output voltage shift in the LT6656-2.5 is shown in Figure 10. Similar results can be expected using a convection reflow oven. Figures 11 and 12 show the change in output voltage that was measured for parts that were run through the reflow process for 1 cycle and also 3 cycles. Additional drift of the LT6656 after IR reflow does not vary significantly.

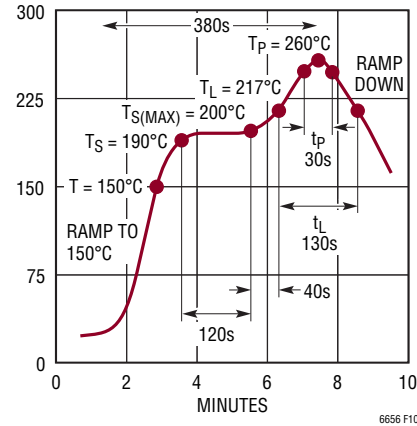


Figure 10. Lead Free Reflow Profile Due to IR Reflow

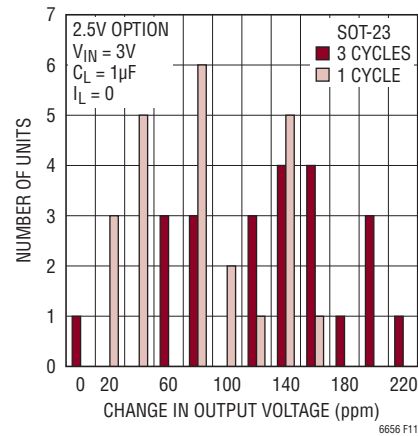


Figure 11. ΔV_{OUT} Due to IR Reflow, Peak Temperature = 260°C, SOT-23

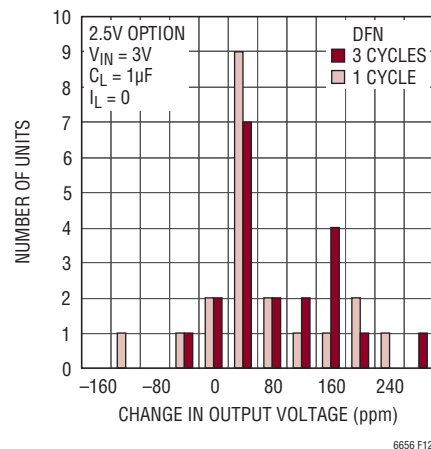


Figure 12. ΔV_{OUT} Due to IR Reflow, Peak Temperature = 260°C, DFN

APPLICATIONS INFORMATION

PC Board Layout

The mechanical stress of soldering a surface mount voltage reference to a PC board can cause the output voltage to shift and temperature coefficient to change.

To reduce the effects of stress-related shifts, position the reference near the short edge of the PC board or in a corner. In addition, slots can be cut into the board on two

sides of the device. See Application Note AN82 for more information. <http://www.linear.com>

The input and output capacitors should be mounted close to the package. The GND and V_{OUT} traces should be as short as possible to minimize the voltage drops caused by load and ground currents. Excessive trace resistance directly impacts load regulation.

TYPICAL APPLICATIONS

Regulator Reference

The robust input and output of the LT6656 along with its high output current make it an excellent precision low power regulator as well as a reference. The LT6656 would be a good match with a small, low power microcontroller. Using the LT6656 as a regulator reduces power consumption, decreases solution size and increases the accuracy of the microcontroller's on board ADC.

Low Power ADC Reference

Low power ADCs draw only a few μAs during their idle period and well over $100\mu\text{A}$ during conversions. Despite these surges of current, the ADC in reality can have very low power consumption. Figure 14 shows the LTC2480, a low power delta sigma ADC. When the ADC is disabled its quiescent current (I_Q) is roughly $1\mu\text{A}$, during conversion the I_Q jumps up to $160\mu\text{A}$. In reality, the power consumption is not only based on the I_Q during conversion, but the real power consumption of the ADC is set by the conversion time and the sample rate. The LTC2480 shown in Figure 14 has a conversion time of 160ms which sets the maximum sample rate of 6 samples per second. The maximum sample rate also sets the maximum current consumption to $160\mu\text{A}$, but at slower sample rates the ADC will have significantly lower average current draw. If the ADC is sampled at 1 sample per second the average current drawn by the ADC during a 1 second interval would only be $26.4\mu\text{A}$. When taking into consideration the current drawn by the reference, the total current draw is

only $27.4\mu\text{A}$. This system is greatly simplified because the precision reference does not need to be cycled on and off to save power. Furthermore, leaving the reference on continuously eliminates concern for turn-on settling time.

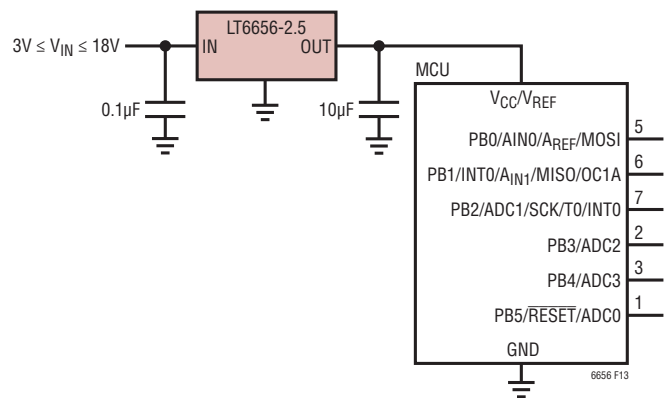


Figure 13. Microcontroller Reference and Regulator

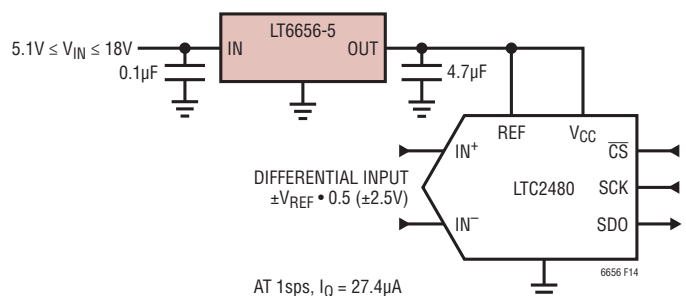
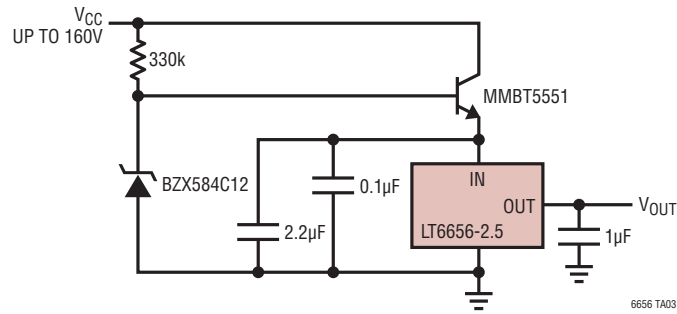


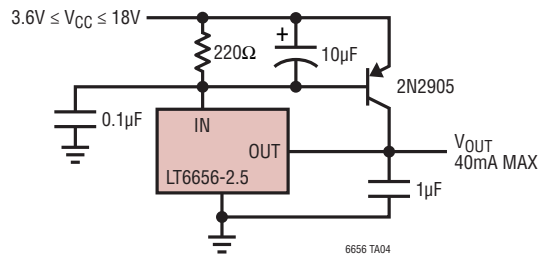
Figure 14. Low Power ADC Reference

TYPICAL APPLICATIONS

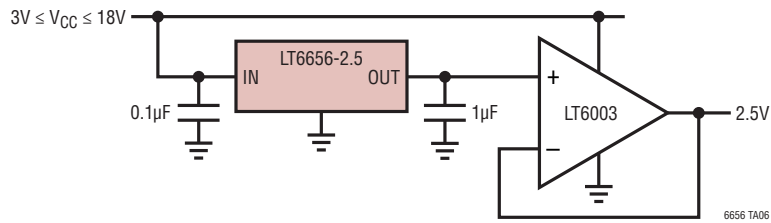
Extended Supply Range Reference



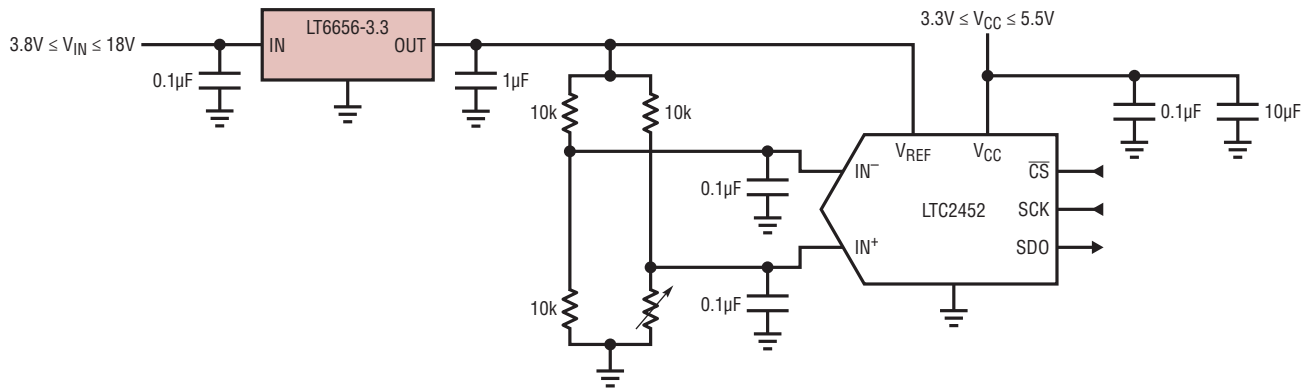
Boosted Output Current Reference



Micropower Regulator, $I_Q = 2\mu A$, Sink Up to 8mA

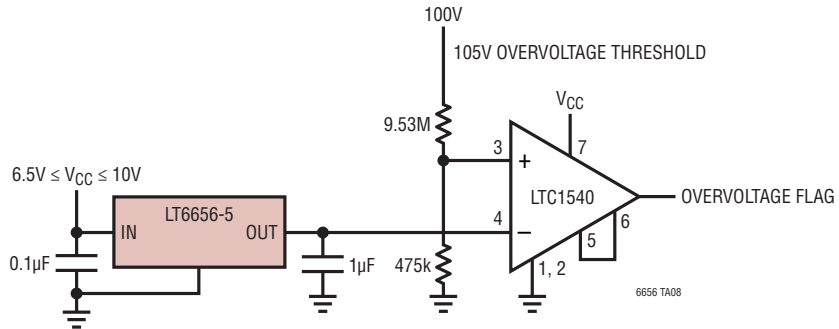


ADC Reference and Bridge Excitation Supply

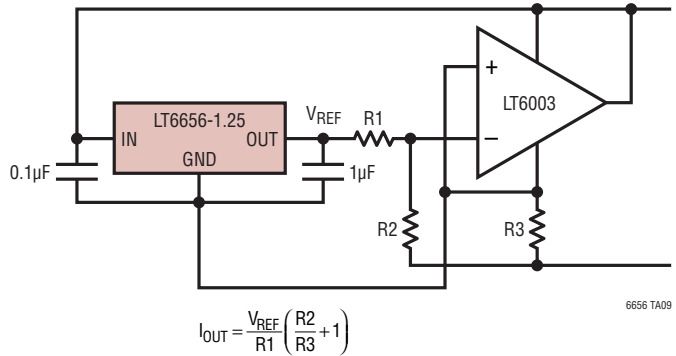


TYPICAL APPLICATIONS

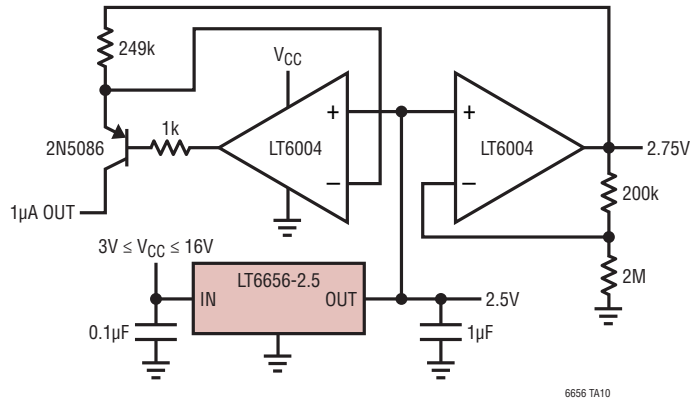
Low Power Precision High Voltage Supply Monitor, $I_Q = 1.4\mu A$, High Voltage Supply Load = $10\mu A$



2-Terminal Current Source

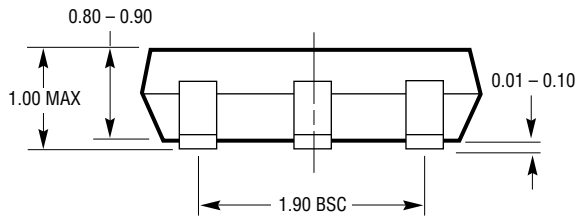
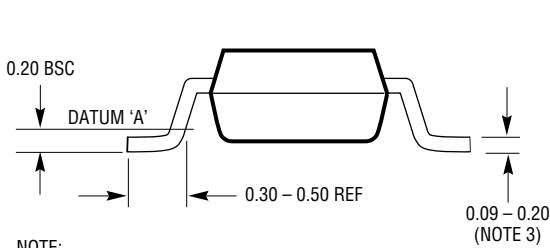
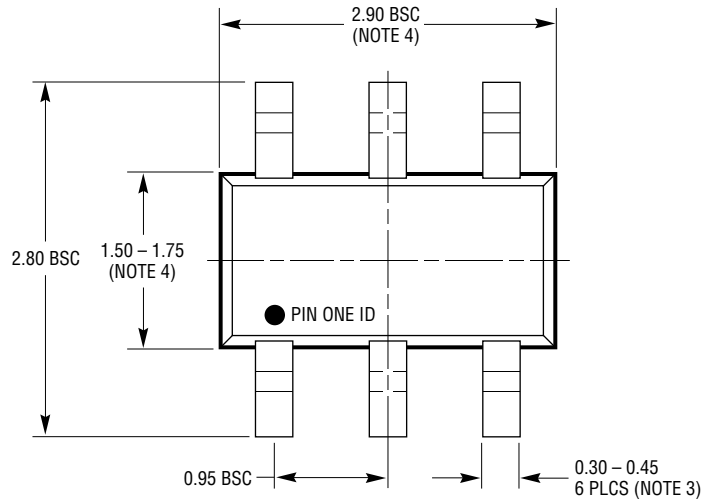
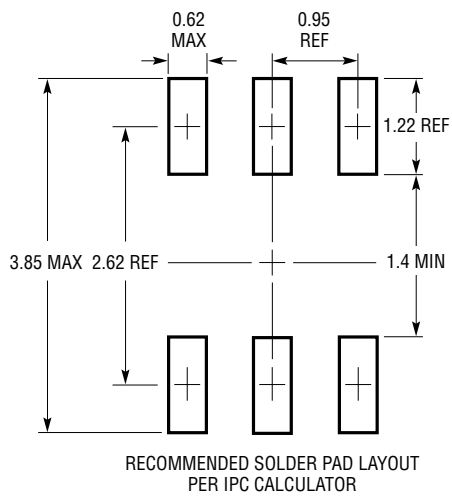


Precision Current and Boosted Reference, $I_Q = 5.5\mu A$



PACKAGE DESCRIPTION

S6 Package 6-Lead Plastic TSOT-23 (Reference LTC DWG # 05-08-1636)

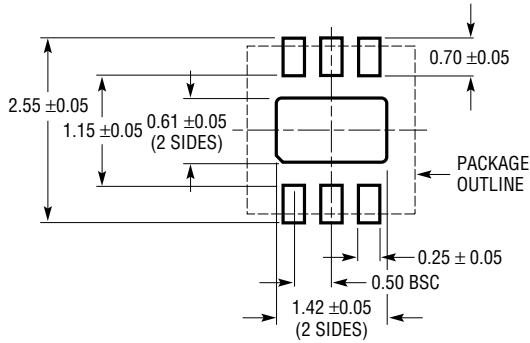


- NOTE:
1. DIMENSIONS ARE IN MILLIMETERS
 2. DRAWING NOT TO SCALE
 3. DIMENSIONS ARE INCLUSIVE OF PLATING
 4. DIMENSIONS ARE EXCLUSIVE OF MOLD FLASH AND METAL BURR
 5. MOLD FLASH SHALL NOT EXCEED 0.254mm
 6. JEDEC PACKAGE REFERENCE IS MO-193

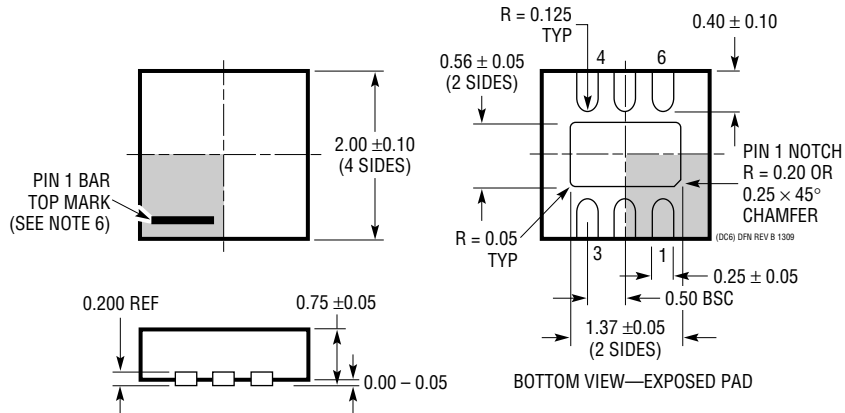
S6 TSOT-23 0302 REV B

PACKAGE DESCRIPTION

DC6 Package
6-Lead Plastic DFN (2mm × 2mm)
 (Reference LTC DWG # 05-08-1703 Rev B)



RECOMMENDED SOLDER PAD PITCH AND DIMENSIONS



NOTE:

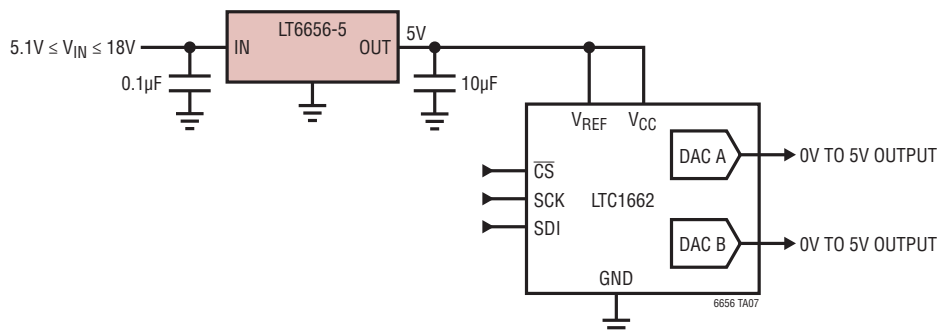
1. DRAWING TO BE MADE A JEDEC PACKAGE OUTLINE M0-229 VARIATION OF (WCCD-2)
2. DRAWING NOT TO SCALE
3. ALL DIMENSIONS ARE IN MILLIMETERS
4. DIMENSIONS OF EXPOSED PAD ON BOTTOM OF PACKAGE DO NOT INCLUDE MOLD FLASH. MOLD FLASH, IF PRESENT, SHALL NOT EXCEED 0.15mm ON ANY SIDE
5. EXPOSED PAD SHALL BE SOLDER PLATED
6. SHADED AREA IS ONLY A REFERENCE FOR PIN 1 LOCATION ON THE TOP AND BOTTOM OF PACKAGE

REVISION HISTORY

| REV | DATE | DESCRIPTION | PAGE NUMBER |
|-----|------|--|-------------|
| A | 7/10 | Voltage options added (1.25, 2.048, 3, 3.3), reflected throughout the data sheet | 1 to 18 |
| B | 5/11 | Added 6-lead DFN package reflected throughout the data sheet. | 1 to 20 |

TYPICAL APPLICATION

Reference Regulator for Micropower DAC, Total $I_Q = 4.8\mu A$



RELATED PARTS

| PART NUMBER | DESCRIPTION | COMMENTS |
|-------------|---|--|
| LT1389 | Nanopower Precision Shunt Voltage Reference | 0.05% Max 10ppm/°C Max, 800nA Supply |
| LTC1440 | Micropower Comparator with Reference | 3.7µA Max Supply Current, 1% 1.182V Reference, MSOP, PDIP and SO-8 Packages |
| LT1460 | Micropower Series Reference | 0.075% Max, 10ppm/°C Max Drift, 2.5V, 5V and 10V Versions, MSOP, PDIP, SO-8, SOT-23 and TO-92 Packages |
| LT1461 | Micropower Precision LDO Series Reference | 3ppm/°C Max Drift, 0°C to 70°C, -40°C to 85°C, -40°C to 125°C Options in SO-8 |
| LT1495 | 1.5µA Precision Rail-to-Rail Dual Op Amp | 1.5µA Max Supply Current, 100pA Max IOS |
| LTC1540 | Nanopower Comparator with Reference | 600nA Max Supply Current, 2% 1.182V Reference, MSOP and SO-8 Packages |
| LT1634 | Micropower Precision Shunt Voltage Reference | 0.05% Max, 10ppm/°C Max Drift, 1.25V, 2.5V, 4.096V, 5V, 10µA Maximum Supply Current |
| LT1790 | Micropower Precision Series Reference | 0.05% Max, 10ppm/°C Max, 60µA Supply, SOT23 Package |
| LTC1798 | 6µA Low Dropout Series Reference | Available in Adjustable, 2.5V, 3V, 4.096V and 5V |
| LT6003 | 1.6V, 1µA Precision Rail-to-Rail Op Amp | 1µA Max Supply Current, 1.6V Minimum Operating Voltage, SOT-23 Package |
| LT6650 | Micropower Reference with Buffer Amplifier | 0.05% Max, 5.6µA Supply, SOT-23 Package |
| LT6660 | Tiny Micropower Series Reference | 0.2% Max, 20ppm/°C Max, 20mA Output Current, 2mm × 2mm DFN |
| LT6700 | Micropower, Low Voltage Dual Comparator with 40mV Reference | 6.5µA Supply Current, 1.4V Minimum Operating Voltage |