

5102155-9 ✓ ACTIVE

[AMP-LATCH](#) | [AMP-LATCH Universal Headers](#)

TE Internal #: 5102155-9

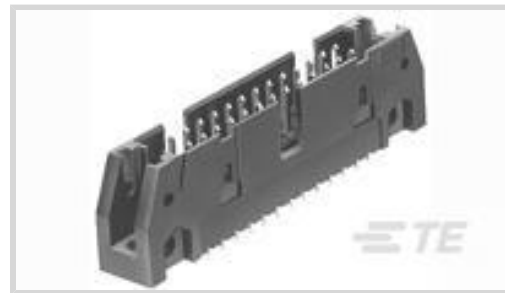
Ribbon Cable Connectors, Wire-to-Board, 40 Position, 2.54 mm [.1 in] Centerline, Vertical, Through Hole - Solder, 2 Row, AMP-LATCH Universal Headers

[View on TE.com >](#)



[Connectors](#) > [PCB Connectors](#) > [Wire-to-Board Connectors](#) > [FFC, FPC & Ribbon Connectors](#) > [Ribbon Cable Connectors](#) >

[AMP-LATCH UNIVERSAL HEADERS](#)



Connector System: **Wire-to-Board**

Number of Positions: **40**

Centerline (Pitch): **2.54 mm [.1 in]**

PCB Mount Retention: **With**

PCB Mount Retention Type: **Screw Mount**

[All AMP-LATCH UNIVERSAL HEADERS \(525\)](#)

## Features

### Product Type Features

Ribbon Cable Connector Header Type	Universal Ejection Pin Headers
Connector Product Type	Connector Assembly
Connector System	Wire-to-Board
Connector & Housing Type	Plug
Connector & Contact Terminates To	Printed Circuit Board

### Configuration Features

Number of Positions	40
PCB Mount Orientation	Vertical
Number of Rows	2

### Electrical Characteristics

Insulation Resistance	5000 MΩ
Operating Voltage	250 VAC

### Body Features

Primary Product Color	Black
Connector Profile	Standard

### Contact Features



Mating Square Post Dimension	.64 mm[.025 in]
PCB Contact Termination Area Plating Material Thickness	2.54 μm[100 μin]
Contact Type	Pin
	15 μin
Contact Mating Area Plating Material	Gold, Gold Flash over Palladium Nickel
Contact Shape & Form	Square
Contact Underplating Material	Nickel
PCB Contact Termination Area Plating Material	Tin
Contact Base Material	Phosphor Bronze
Contact Current Rating (Max)	1 A

### Termination Features

Round Termination Post & Tail Diameter	.64 mm[.025 in]
Termination Post & Tail Length	3.94 mm[.155 in]
Termination Method to Printed Circuit Board	Through Hole - Solder

### Mechanical Attachment

Mating Alignment	With
PCB Mount Alignment	Without
Panel Mount Feature	Without
PCB Mount Retention	With
PCB Mount Retention Type	Screw Mount
Mating Alignment Type	Center, Dual Polarizing Bar
Mating Retention	With
Mating Retention Type	Ejection Latch
Connector Mounting Type	Board Mount

### Housing Features

Mating Entry Location	Top
Housing Material	Nylon - GF
Centerline (Pitch)	2.54 mm[.1 in]

### Dimensions

Shrouded End Dimension	3.81 mm[.15 in]
Connector Length	70.1 mm[2.76 in]
Connector Height	13.94 mm[.55 in]



PCB Thickness (Recommended)	3.18 mm[.125 in]
-----------------------------	------------------

Row-to-Row Spacing	2.54 mm[.1 in]
--------------------	----------------

### Usage Conditions

Housing Temperature Rating	High
----------------------------	------

Operating Temperature Range	-65 – 105 °C[-85 – 221 °F]
-----------------------------	----------------------------

### Operation/Application

Circuit Application	Signal
---------------------	--------

### Industry Standards

UL Flammability Rating	UL 94V-0
------------------------	----------

### Packaging Features

Packaging Quantity	40
--------------------	----

Packaging Method	Tray
------------------	------

### Other

Wire-to-Board Connector Comment	For Use With AMP-Latch Receptacle
---------------------------------	-----------------------------------

## Product Compliance

[For compliance documentation, visit the product page on TE.com>](#)

EU RoHS Directive 2011/65/EU	Compliant
------------------------------	-----------

EU ELV Directive 2000/53/EC	Compliant
-----------------------------	-----------

China RoHS 2 Directive MIIT Order No 32, 2016	No Restricted Materials Above Threshold
---	---

EU REACH Regulation (EC) No. 1907/2006	Current ECHA Candidate List: JUNE 2023 (235) Candidate List Declared Against: JUNE 2023 (235) Does not contain REACH SVHC
--	---

Halogen Content	Not Low Halogen - contains Br or Cl > 900 ppm.
-----------------	--

Solder Process Capability	Wave solder capable to 265°C
---------------------------	------------------------------

#### Product Compliance Disclaimer

This information is provided based on reasonable inquiry of our suppliers and represents our current actual knowledge based on the information they provided. This information is subject to change. The part numbers that TE has identified as EU RoHS compliant have a maximum concentration of 0.1% by weight in homogenous materials for lead, hexavalent chromium, mercury, PBB, PBDE, DBP, BBP, DEHP, DIBP, and 0.01% for cadmium, or qualify for an exemption to these limits as defined in the Annexes of Directive 2011/65/EU (RoHS2). Finished electrical and electronic equipment products will be CE marked as required by Directive 2011/65/EU. Components may not be CE marked. Additionally, the part numbers that TE has identified as EU ELV compliant have a maximum concentration of 0.1% by weight in homogenous materials for lead, hexavalent chromium, and mercury, and 0.01% for cadmium, or qualify for an exemption to these limits as defined in the Annexes of Directive 2000/53/EC (ELV). Regarding the REACH Regulation, the information TE provides

on SVHC in articles for this part number is based on the latest European Chemicals Agency (ECHA) 'Guidance on requirements for substances in articles' posted at this URL: <https://echa.europa.eu/guidance-documents/guidance-on-reach>

## Compatible Parts



TE Part # 499252-1  
040 STRAIN RELIEF A-L RCPT



TE Part # 1-1658527-3  
622-4041LF FEM SOCKET, LEAD FREE



TE Part # 1658622-9  
40 NOVO MIL/CTR 30DP, LEAD FREE



TE Part # 1658620-9  
40 NOVO MIL 15DP, LEAD FREE



TE Part # 1658621-9  
40 NOVO MIL/CTR 15DP, LEAD FREE



TE Part # 1658623-9  
40 NOVO MIL 30DP, LEAD FREE



TE Part # 2-1658526-0  
609-4030LF FEM SOCKET, LEAD FREE



TE Part # 2-1658526-1  
609-4041LF FEM SOCKET, LEAD FREE



TE Part # 1-1658528-9  
636-4041LF=FEM SKT BLD POL S/R



TE Part # 1658624-9  
40 NOVO DUAL 30DP, LEAD FREE




TE Part # CAT-AM71-A85022  
Female Socket Connectors: Strain Relief




TE Part # 1-1658527-2  
622-4030LF FEM SOCKET, LEAD FREE

## Also in the Series | AMP-LATCH Universal Headers

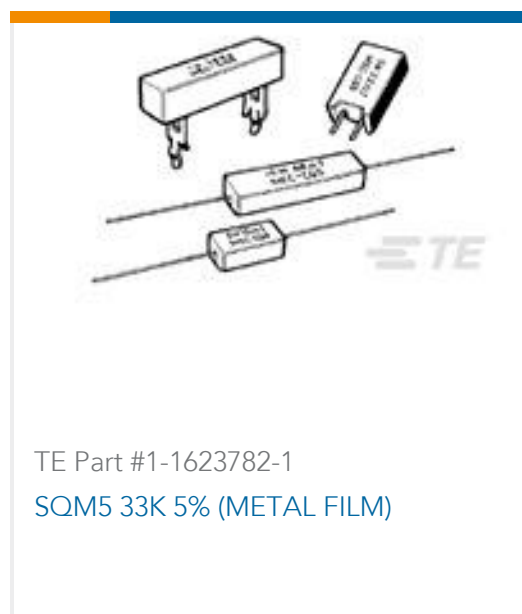


Ribbon Cable Connectors(525)



Ribbon Connector Accessories(13)

## Customers Also Bought



TE Part #1-1623782-1  
SOM5 33K 5% (METAL FILM)



TE Part #1-640454-2  
12P MTA100 HDR ASSY SQ STR POL



TE Part #499252-2  
020 STRAIN RELIEF A-L RCPT



TE Part #5102153-4  
A/L UNIV HDR 20P VERT



TE Part #2102735-1  
BP, Half Left End, MULTIGIG RT 2R



TE Part #5520260-4  
MJ,TE,8P/8C,PNL STOPS,KEYED



TE Part #1419108-7  
RT28516



TE Part #102312-1  
Universal Headers: Ejector Latch



TE Part #2000713-1  
RA Keyed Guide Mod, Vita 46,  
Machined

## Documents

### Product Drawings

[A/L UNIV HDR 40P VERT](#)

English

### CAD Files

Customer View Model

[ENG\\_CVM\\_CVM\\_5102155-9\\_B.2d\\_dxf.zip](#)

English

### 3D PDF

3D

Customer View Model

[ENG\\_CVM\\_CVM\\_5102155-9\\_B.3d\\_igs.zip](#)

English

Customer View Model

[ENG\\_CVM\\_CVM\\_5102155-9\\_B.3d\\_stp.zip](#)

English

By downloading the CAD file I accept and agree to the [Terms and Conditions](#) of use.

## Datasheets & Catalog Pages



[Ribbon Cable Interconnect Solutions](#)

English

---

[Product Specifications](#)

[Product Specification](#)

English

---

[Agency Approvals](#)

[Agency Approval Document](#)

English