

Description

The IDT6T39007A is a low-power, four output clock distribution circuit. The device takes a TCXO or 1.8 V to 2.5 V LVCMOS input and generates four high-quality LVDS outputs, and two programmable divided outputs.

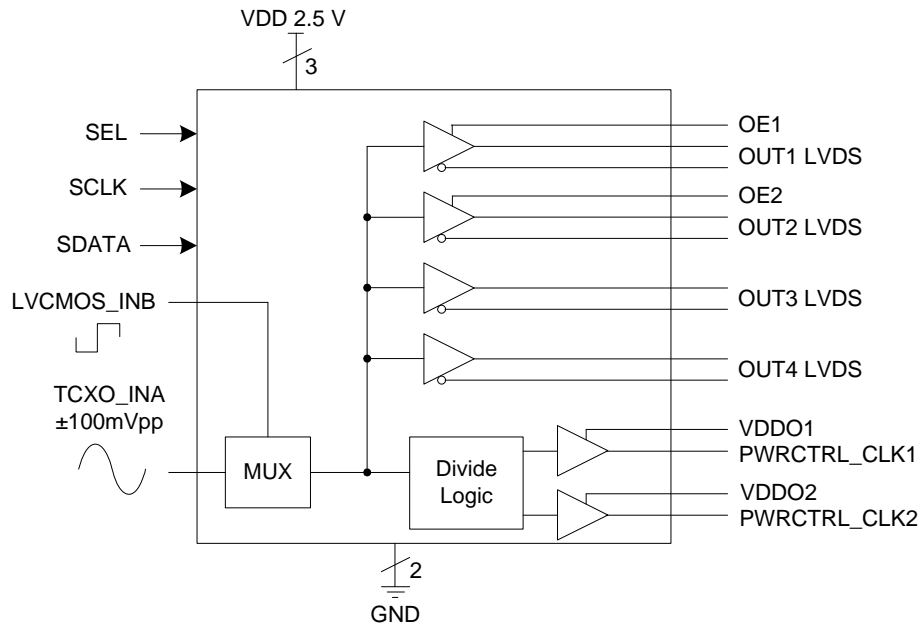
It includes a redundant input with automatic glitch-free switching when the primary reference is removed. The primary input may be selected by the user by pulling the SEL pin low or high. If the primary input is removed and brought back, it will not be re-selected until 1024 cycles have passed.

The IDT6T39007A specifically addresses the needs of handheld applications in both performance and package size. The device is packaged in a small 4mm x 4mm 24-pin QFN, allowing optimal use for limited board space.

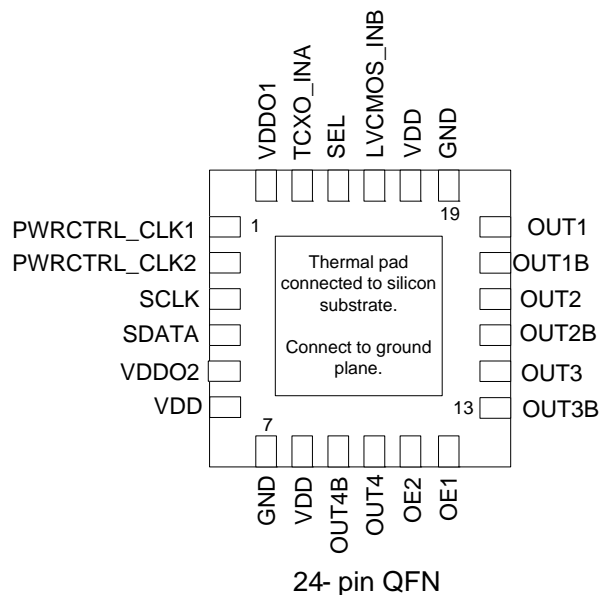
Features

- Packaged in 24-pin QFN
- TCXO sine wave input
- +2.5 V operating voltage
- Four buffered LVDS outputs
- Two programmable outputs for power control up to 3.0 V LVCMOS levels based on VDDO1/VDDO2
- Individual output enables controlled via I²C or OEx
- Pb-free, RoHS compliant package
- Industrial temperature range (-40°C to +85°C)

Block Diagram



Pin Assignment



SEL Pin Configuration Table

SEL	Primary Input
0	LVCMOS_INB
1	TCXO_INA

OE Pin Configuration Table

OEx	OUTx LVDS
0	Disabled
1	Enabled

Pin Descriptions

Pin Number	Pin Name	Pin Type	Pin Description
1	PWRCTRL_CLK1	Output	Programmable power control output 1. See I ² C table.
2	PWRCTRL_CLK2	Output	Programmable power control output 2. See I ² C table.
3	SCLK	Input	I ² C clock input.
4	SDATA	Input	I ² C data input.
5	VDDO2	Power	Connect to +3.0 V.
6	VDD	Power	Connect to +2.5 V.
7	GND	Power	Connect to ground.
8	VDD	Power	Connect to +2.5 V.
9	OUT4B	Output	Buffered LVDS output. Outputs tri-state when disabled.
10	OUT4	Output	Buffered LVDS output. Outputs tri-state when disabled.
11	OE2	Input	Output enable control for OUT2 LVDSpins. Internal pull-up resistor. See table above.
12	OE1	Input	Output enable control for OUT1 LVDSpins. Internal pull-up resistor. See table above.
13	OUT3B	Output	Buffered LVDS output. Outputs tri-state when disabled.
14	OUT3	Output	Buffered LVDS output. Outputs tri-state when disabled.
15	OUT2B	Output	Buffered LVDS output. Outputs tri-state when disabled.

Pin Number	Pin Name	Pin Type	Pin Description
16	OUT2	Output	Buffered LVDS output. Outputs tri-state when disabled.
17	OUT1B	Output	Buffered LVDS output. Outputs tri-state when disabled.
18	OUT1	Output	Buffered LVDS output. Outputs tri-state when disabled.
19	GND	Power	Connect to ground.
20	VDD	Power	Connect to +2.5 V.
21	LVC MOS_INB	Input	Connect to primary LVC MOS input INB. See table above.
22	SEL	Input	Select pin for primary inputs. See table above. Internal pull-up resistor.
23	TCXO_INA	Input	Connect to TCXO input.
24	VDDO1	Power	Connect to +3.0 V.

General I²C Serial Interface

How to Write:

- Controller (host) sends a start bit
- Controller (host) sends the write address D4_(H)
- IDT clock will *acknowledge*
- Controller (host) sends the beginning byte location =N
- IDT clock will *acknowledge*
- Controller (host) sends the data byte count = X
- IDT clock will *acknowledge*
- Controller (host) starts sending *Byte N through Byte N + X - 1* (see Note 2)
- IDT clock will *acknowledge* each byte *one at a time*
- Controller (host) sends a Stop bit

Index Block Write Operation			
Controller (Host)		IDT (Slave/Receiver)	
T	starTbit		
Slave Address D4 _(H)			
WR	WRite		
Beginning Byte = N		ACK	
Beginning Byte = N		ACK	
Data Byte Count = X		ACK	
Beginning Byte = N		. X B Y T E	
O			ACK
O			O
O			O
O			O
Byte N + X - 1			
		ACK	
P	stoP bit		

How to Read:

- Controller (host) sends a start bit
- Controller (host) sends the write address D4_(H)
- IDT clock will *acknowledge*
- Controller (host) sends the beginning byte location =N
- IDT clock will *acknowledge*
- Controller (host) will send a separate start bit
- Controller (host) sends the read address D5_(H)
- IDT clock will *acknowledge*
- Controller (host) sends the data byte count = X
- IDT clock sends *Byte N + X - 1*
- IDT clock sends *Byte 0 through byte X (if X_(H) was written to byte 8)*
- Controller (host) will need to acknowledge each byte
- Controller (host) will send a not acknowledge bit
- Controller (host) will send a stop bit

Index Block Read Operation			
Controller (Host)		IDT (Slave/Receiver)	
T	starTbit		
Slave Address D4 _(H)			
WR	WRite		
Beginning Byte = N		ACK	
Beginning Byte = N		ACK	
RT	Repeat starT		
Slave Address D5 _(H)			
RD	ReaD		
		ACK	
		Data Byte Count = X	
ACK			
ACK		. X B Y T E	
			Beginning Byte N
O			O
O			O
O			O
O			
		Byte N + X - 1	
N	Not acknowledge		
P	stoP bit		

I²C Address

The IDT6T39007A is a slave-only device that supports block read and block write protocol using a single 7 bit address and read/write bit. A block write (D4_(H)) or block read (D5_(H)) is made up of seven (7) bits and one (1) read/write bit.

A6	A5	A4	A3	A2	A1	A0	R/W#
1	1	0	1	0	1	0	X

In applications where the indexed block write and block read are used, the dummy byte (bit 11-18) functions as a register-offset (8 bits) pointer.

Byte 0: Control Register

Bit	Description	Type	Power Up Condition	Output(s) Affected	Notes
7	Reserved	R	Undefined	Not applicable	
6	Reserved	R	Undefined	Not applicable	
5	OE for OUT3	RW	1	LVDS clock output	1=enabled 0=disabled
4	OE for OUT4	RW	1	LVDS clock output	1=enabled 0=disabled
3	Reserved	R	Undefined	Not applicable	
2	Reserved	R	Undefined	Not applicable	
1	Reserved	R	Undefined	Not applicable	
0	Reserved	R	Undefined	Not applicable	

Byte 1: Control Register

Bit	Description	Type	Power Up Condition	Output(s) Affected	Notes
7	PWRCTRL_CLK1 Divider SEL bit 7	RW	0	PWRCTRL_CLK1	Default is /15 to get 866.666 kHz from 13 MHz
6	PWRCTRL_CLK1 Divider SEL bit 6	RW	0	PWRCTRL_CLK1	Default is /15 to get 866.666 kHz from 13 MHz
5	PWRCTRL_CLK1 Divider SEL bit 5	RW	0	PWRCTRL_CLK1	Default is /15 to get 866.666 kHz from 13 MHz
4	PWRCTRL_CLK1 Divider SEL bit 4	RW	0	PWRCTRL_CLK1	Default is /15 to get 866.666 kHz from 13 MHz
3	PWRCTRL_CLK1 Divider SEL bit 3	RW	1	PWRCTRL_CLK1	Default is /15 to get 866.666 kHz from 13 MHz
2	PWRCTRL_CLK1 Divider SEL bit 2	RW	1	PWRCTRL_CLK1	Default is /15 to get 866.666 kHz from 13 MHz
1	PWRCTRL_CLK1 Divider SEL bit 1	RW	1	PWRCTRL_CLK1	Default is /15 to get 866.666 kHz from 13 MHz
0	PWRCTRL_CLK1 Divider SEL bit 0	RW	1	PWRCTRL_CLK1	Default is /15 to get 866.666 kHz from 13 MHz

Byte 2: Control Register

Bit	Description	Type	Power Up Condition	Output(s) Affected	Notes
7	PWRCTRL_CLK2 Divider SEL bit 7	RW	0	PWRCTRL_CLK2	Default is /46 to get 282.6kHz from 13 MHz
6	PWRCTRL_CLK2 Divider SEL bit 6	RW	0	PWRCTRL_CLK2	Default is /46 to get 282.6kHz from 13 MHz
5	PWRCTRL_CLK2 Divider SEL bit 5	RW	1	PWRCTRL_CLK2	Default is /46 to get 282.6kHz from 13 MHz
4	PWRCTRL_CLK2 Divider SEL bit 4	RW	0	PWRCTRL_CLK1	Default is /46 to get 282.6kHz from 13 MHz
3	PWRCTRL_CLK2 Divider SEL bit 3	RW	1	PWRCTRL_CLK1	Default is /46 to get 282.6kHz from 13 MHz

2	PWRCTRL_CLK2 Divider SEL bit 2	RW	1	PWRCTRL_CLK1	Default is /46 to get 282.6kHz from 13 MHz
1	PWRCTRL_CLK2 Divider SEL bit 1	RW	1	PWRCTRL_CLK1	Default is /46 to get 282.6kHz from 13 MHz
0	PWRCTRL_CLK2 Divider SEL bit 0	RW	0	PWRCTRL_CLK1	Default is /46 to get 282.6kHz from 13 MHz

Byte 3: Control Register

Bit	Description	Type	Power Up Condition	Output(s) Affected	Notes
7 to 0	Reserved	R	Undefined	Not applicable	

Byte 4 through 5: Control Register

Bit	Description	Type	Power Up Condition	Output(s) Affected	Notes
7 to 0	Reserved	R	Undefined	Not applicable	

Byte 6: Control Register

Bit	Description	Type	Power Up	Output(s) Affected	Notes
7	Revision ID bit 3	R	0	Not applicable	
6	Revision ID bit 2	R	0	Not applicable	
5	Revision ID bit 1	R	0	Not applicable	
4	Revision ID bit 0	R	0	Not applicable	
3	Vendor ID bit 3	R	0	Not applicable	
2	Vendor ID bit 2	R	0	Not applicable	
1	Vendor ID bit 1	R	0	Not applicable	
0	Vendor ID bit 0	R	1	Not applicable	

Applications Information

External Components

A minimum number of external components are required for proper operation.

Decoupling Capacitors

Decoupling capacitors of 0.01 μF should be connected between VDD and GND as close to the device as possible. Do not share ground vias between components. Route power from power source through the capacitor pad and then into IDT pin.

PCB Layout Recommendations

For optimum device performance and lowest output phase noise, the following guidelines should be observed.

1. Each 0.01 μF decoupling capacitor should be mounted on the component side of the board as close to the VDD pin as possible.
2. No vias should be used between decoupling capacitor and VDD pin.
3. The PCB trace to VDD pin should be kept as short as possible, as should the PCB trace to the ground via. Distance of the ferrite bead and bulk decoupling from the device is less critical.
4. An optimum layout is one with all components on the same side of the board, minimizing vias through other signal layers (any ferrite beads and bulk decoupling capacitors can be mounted on the back). Other signal traces should be routed away from the IDT6T39007A. This includes signal traces just underneath the device, or on layers adjacent to the ground plane layer used by the device.

Absolute Maximum Ratings

Stresses above the ratings listed below can cause permanent damage to the IDT6T39007A. These ratings, which are standard values for IDT commercially rated parts, are stress ratings only. Functional operation of the device at these or any other conditions above those indicated in the operational sections of the specifications is not implied. Exposure to absolute maximum rating conditions for extended periods can affect product reliability. Electrical parameters are guaranteed only over the recommended operating temperature range.

Item	Rating
Max Supply Voltage, VDD	5 V
LVCOS_INB, SCLK and SDATA Inputs	-0.5 V to +3.3 V
All Other Inputs and Outputs	-0.5 V to VDD+0.5 V
Ambient Operating Temperature	-40 to +85° C
Storage Temperature	-65 to +150° C
Junction Temperature	125° C
Peak Soldering Temperature	260° C

Recommended Operation Conditions

Parameter	Min.	Typ.	Max.	Units
Ambient Operating Temperature	-40		+85	° C
Power Supply Voltage (measured in respect to GND)	+2.25	+2.5	+2.75	V
Output Supply Voltage (VDDO1, VDDO2)	VDD	+3.0	+3.15	V

DC Electrical Characteristics

Unless otherwise specified, VDD = 2.5 V ±10%, VDDO1 = VDDO2 = 3.0 V ±5%, Ambient Temp. -40 to +85° C

Parameter	Symbol	Conditions	Min.	Typ.	Max.	Units
Operating Supply Voltage	VDD		+2.25	+2.5	+2.75	V
Output Supply Voltage	VDDO	VDDO1, VDDO2	VDD	3.0	3.15	V
Input High Voltage	V _{IH}	SEL, OEx, LVCOS_INB	0.75xVDD			V
		SCLK and SDATA	0.7xVDD			
Input Low Voltage	V _{IL}	SEL, OEx, LVCOS_INB			0.35xVDD	V
		SCLK and SDATA			0.3xVDD	
High-Level Output Voltage	V _{OH}	I _{OH} = -4 mA	1.7			V
Low-Level Output Voltage	V _{OL}	I _{OL} = 4 mA			0.7	V
Operating Supply Current	IDD	No load, all outputs switching at 13 MHz		15	18	mA
		All outputs disabled		TBD		
Short Circuit Current	I _{OS}	Single-ended clocks		±70		mA

Parameter	Symbol	Conditions	Min.	Typ.	Max.	Units
Output Impedance	Z_O	All clock outputs, OEx=1		15		Ω
Internal Pull-Up Resistance	R_{pu}	SEL, OEx		500		k Ω
Input Capacitance	C_{IN}	All input pins		6		pF

AC Electrical Characteristics - Single-Ended Outputs

Unless otherwise stated, $VDD = 2.5\text{ V} \pm 10\%$, $VDDO1 = VDDO2 = 3.0\text{ V} \pm 5\%$, Ambient Temp. -40 to $+85^\circ\text{ C}$

Parameter	Symbol	Conditions	Min.	Typ.	Max.	Units
Input Frequency	F_{IN}		12.6	13	13.4	MHz
Variance Input Frequencies		LVC MOS_INB, TCXO_INA, Note 2			0.4	MHz
Time Switch Clock Inputs		LVC MOS_INB, TCXO_INA, Note 3		80		μs
TCXO Input Swing		TCXO_INA	± 100		± 900	mV
Output Frequency Error				0		ppm
Output Rise Time	t_{OR}	20% to 80%, Note 1		1	1.5	ns
Output Fall Time	t_{OF}	80% to 20%, Note 1		1	1.5	ns
Output Clock Duty Cycle		Measured at $VDDO/2$, Note 1	45	50	55	%
Output Enable time		OE goes high, output within 1% of final frequency			1	ms
Clock Stabilization Time from Power Up		Power up, output within 1% of final frequency		3	10	ms

Note 1: $CL = 8\text{ pF}$.

Note 2: Delta from 13 MHz.

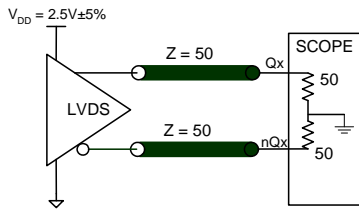
Note 3: By removing primary input and then bringing back primary input.

AC Electrical Characteristics - LVDS Outputs

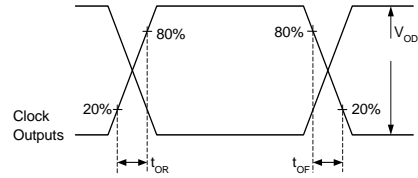
Unless otherwise stated, $V_{DD} = 2.5\text{ V} \pm 10\%$, Ambient Temperature -40 to $+85^\circ\text{ C}$

Parameter	Conditions	Min.	Typ.	Max.	Units
Differential Output Voltages $ V_{OD} $	$R_L = 100\Omega$	250	350	450	mV
ΔV_{OD}	V_{OD} Magnitude Change	-40	0	40	mV
Offset Voltage (V_{OS})		1.125	1.25	1.375	V
Output CLock Duty Cycle	Measured at V_{OS}	45	50	55	%
ΔV_{OS}	V_{OS} Magnitude Change		3	25	mV
Output Short Circuit Current (I_{OS})			-10		mA
Output Rise Time	20% to 80%, $R_L = 100\Omega$		0.5	1.0	ns
Output Fall Time	20% to 80%, $R_L = 100\Omega$		0.5	1.0	ns

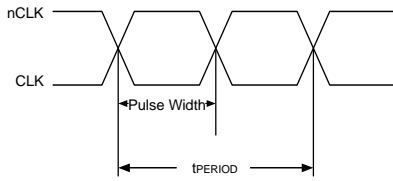
Parameter Measurement Information



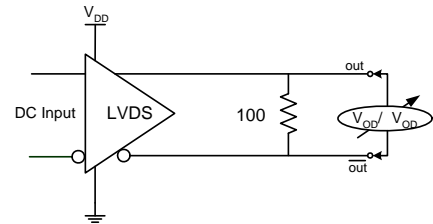
2.5V OUTPUT LOAD AC TEST CIRCUIT



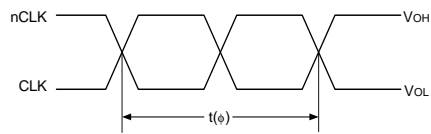
OUTPUT RISE/FALL TIME



t_{PW} & t_{PERIOD}

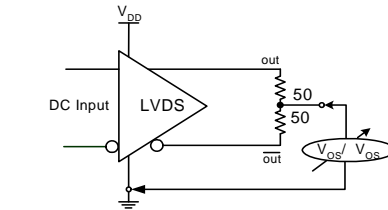


V_{OD} SETUP

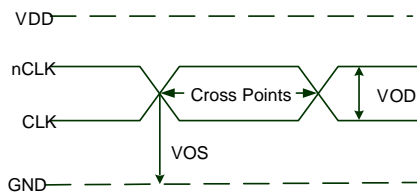


$$t_{jit(\phi)} = |t(\phi) - t(\phi)_{mean}| = \text{Phase Jitter}$$

PHASE JITTER

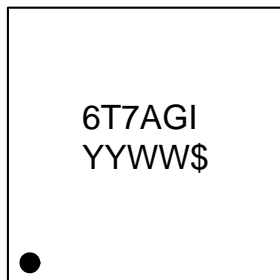


V_{OS} SETUP



DIFFERENTIAL INPUT LEVEL

Marking Diagram



Notes:

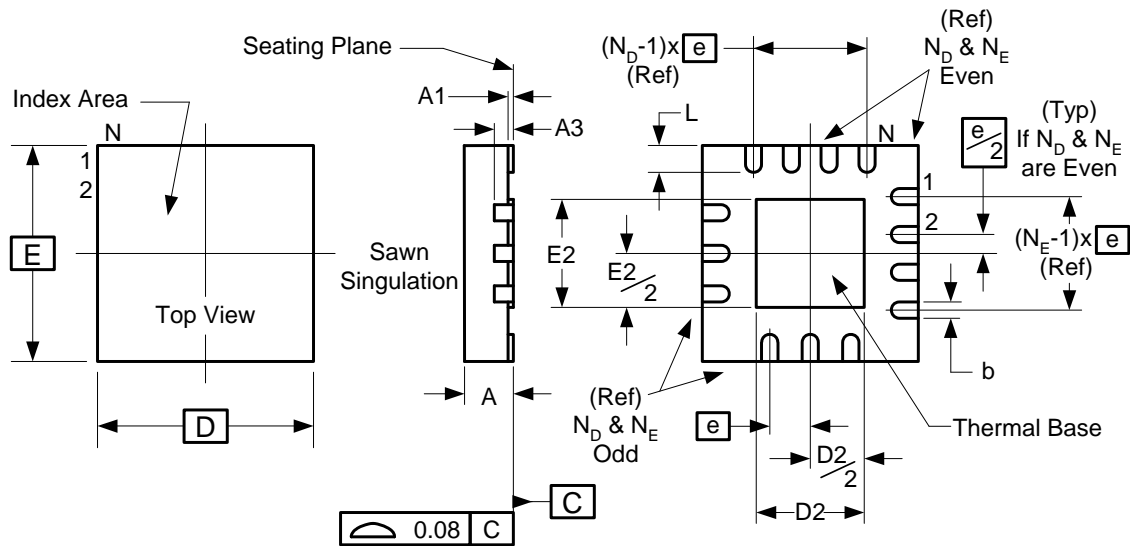
1. YYWW is the last two digits of the year and week that the part was assembled.
2. "\$" is the assembly mark code.
3. "G" after the two-letter package code designates RoHS compliant package.
4. "I" at the end of part number indicates industrial temperature range.
5. Bottom marking: country of origin if not USA.

Thermal Characteristics

Parameter	Symbol	Conditions	Min.	Typ.	Max.	Units
Thermal Resistance Junction to Ambient	θ_{JA}	Still air		29.1		$^{\circ}\text{C/W}$
	θ_{JA}	1 m/s air flow		22.8		$^{\circ}\text{C/W}$
	θ_{JA}	2.5 m/s air flow		21.0		$^{\circ}\text{C/W}$
Thermal Resistance Junction to Case	θ_{JC}			41.8		$^{\circ}\text{C/W}$

Package Outline and Package Dimensions (24-pin QFN)

Package dimensions are kept current with JEDEC Publication No. 95



Symbol	Millimeters	
	Min	Max
A	0.80	1.00
A1	0	0.05
A3	0.25 Reference	
b	0.18	0.30
e	0.50 BASIC	
N	24	
N_D	6	
N_E	6	
D x E BASIC	4.00 x 4.00	
D2	2.3	2.55
E2	2.3	2.55
L	0.30	0.50

Ordering Information

Part / Order Number	Marking	Shipping Packaging	Package	Temperature
6T39007ANLGI	see page 13	Tray	24-pin QFN	-40 to +85° C
6T39007ANLGI8		Tape and Reel	24-pin QFN	-40 to +85° C

“G” after the two-letter package code are the Pb-Free configuration and are RoHS compliant.

While the information presented herein has been checked for both accuracy and reliability, Integrated Device Technology (IDT) assumes no responsibility for either its use or for the infringement of any patents or other rights of third parties, which would result from its use. No other circuits, patents, or licenses are implied. This product is intended for use in normal commercial applications. Any other applications such as those requiring extended temperature range, high reliability, or other extraordinary environmental requirements are not recommended without additional processing by IDT. IDT reserves the right to change any circuitry or specifications without notice. IDT does not authorize or warrant any IDT product for use in life support devices or critical medical instruments.

Revision History

Rev.	Originator	Date	Description of Change
H	RDW	02/22/12	1. Added device top-side marking.

IMPORTANT NOTICE AND DISCLAIMER

RENESAS ELECTRONICS CORPORATION AND ITS SUBSIDIARIES (“RENESAS”) PROVIDES TECHNICAL SPECIFICATIONS AND RELIABILITY DATA (INCLUDING DATASHEETS), DESIGN RESOURCES (INCLUDING REFERENCE DESIGNS), APPLICATION OR OTHER DESIGN ADVICE, WEB TOOLS, SAFETY INFORMATION, AND OTHER RESOURCES “AS IS” AND WITH ALL FAULTS, AND DISCLAIMS ALL WARRANTIES, EXPRESS OR IMPLIED, INCLUDING, WITHOUT LIMITATION, ANY IMPLIED WARRANTIES OF MERCHANTABILITY, FITNESS FOR A PARTICULAR PURPOSE, OR NON-INFRINGEMENT OF THIRD PARTY INTELLECTUAL PROPERTY RIGHTS.

These resources are intended for developers skilled in the art designing with Renesas products. You are solely responsible for (1) selecting the appropriate products for your application, (2) designing, validating, and testing your application, and (3) ensuring your application meets applicable standards, and any other safety, security, or other requirements. These resources are subject to change without notice. Renesas grants you permission to use these resources only for development of an application that uses Renesas products. Other reproduction or use of these resources is strictly prohibited. No license is granted to any other Renesas intellectual property or to any third party intellectual property. Renesas disclaims responsibility for, and you will fully indemnify Renesas and its representatives against, any claims, damages, costs, losses, or liabilities arising out of your use of these resources. Renesas' products are provided only subject to Renesas' Terms and Conditions of Sale or other applicable terms agreed to in writing. No use of any Renesas resources expands or otherwise alters any applicable warranties or warranty disclaimers for these products.

(Rev.1.0 Mar 2020)

Corporate Headquarters

TOYOSU FORESIA, 3-2-24 Toyosu,
Koto-ku, Tokyo 135-0061, Japan
www.renesas.com

Contact Information

For further information on a product, technology, the most up-to-date version of a document, or your nearest sales office, please visit:
www.renesas.com/contact/

Trademarks

Renesas and the Renesas logo are trademarks of Renesas Electronics Corporation. All trademarks and registered trademarks are the property of their respective owners.