

1:4 Clock Fanout Buffer

Features

- Low voltage operation
- $V_{DD} = 3.3V$
- 1:4 fanout
- Single-input configurable for LVDS, LVPECL, or LVTTTL
- Four differential pairs of LVPECL outputs
- Drives 50-ohm load
- Low input capacitance
- Low output skew
- Low propagation delay
— Typical ($t_{pd} < 4\text{ ns}$)
- Industrial versions available
- Available packages include TSSOP, SOIC

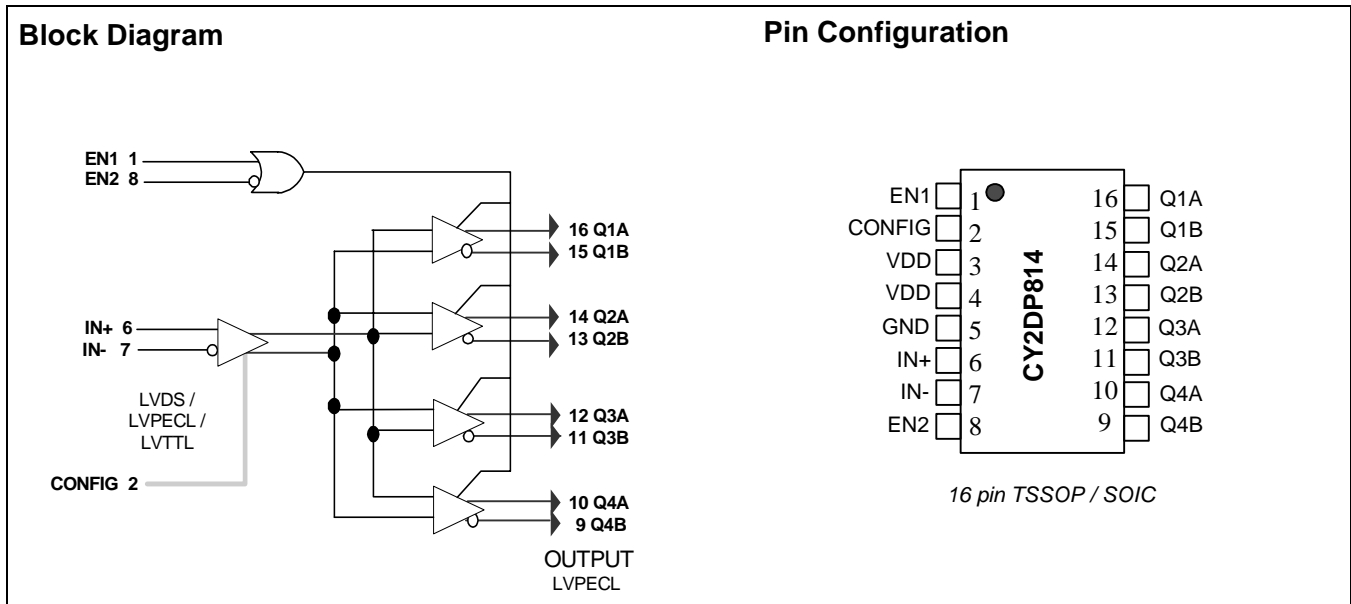
Description

The Cypress CY2 series of network circuits are produced using advanced 0.35-micron CMOS technology, achieving the industry's fastest logic.

The Cypress CY2DP814 fanout buffer features a single LVDS- or a single LVPECL-compatible input and four LVPECL output pairs.

Designed for data communications clock management applications, the fanout from a single input reduces loading on the input clock.

The CY2DP814 is ideal for both level translations from single-ended to LVPECL and/or for the distribution of LVDS-based clock signals. The Cypress CY2DP814 has configurable input between logic families. The input can be selectable for an LVPECL/LVTTTL or LVDS signal, while the output drivers support LVPECL capable of driving 50-ohm lines.



Pin Description

Pin Number	Pin Name	Pin Standard Interface	Description
6, 7	IN+, IN-	Configurable	Differential input pair or single line. LVPECL default. See CONFIG below.
2	CONFIG	LVTTL/LVCMOS	Converts inputs from the default LVPECL/LVDS (logic = 0) to LVTTL/LVCMOS (logic = 1). See <i>Figure 6</i> and <i>Figure 7</i> for additional information
1, 8	EN1, EN2	LVTTL/LVCMOS	Enable/disable logic. See Function Table below for details.
16, 15, 14, 13, 12, 11, 10, 9	Q1A, Q1B, Q2A, Q2B, Q3A, Q3B, Q4A, Q4B	LVPECL	Differential outputs.
3, 4	V _{DD}	POWER	Positive supply voltage.
5	GND	POWER	Ground.



Maximum Ratings^{[1][2]}

Storage Temperature:-65°C to +150°C (Outputs only) -0.3V to $V_{DD} + 0.3V$
 Ambient Temperature:.....-40°C to +85°C DC Input Voltage -0.3V to $V_{DD} + 0.3V$
 Supply Voltage to Ground Potential DC Output Voltage.....-0.3V to $V_{DD} + 0.9V$
 (Inputs and V_{CC} only)..... -0.3V to 4.6V Power Dissipation..... 0.75W
 Supply Voltage to Ground Potential

Table 1. EN1 EN2 Function Table

Enable Logic		Input		Outputs	
EN1	EN2	IN+	IN-	QnA	QnB
H	H	H	L	H	L
H	L	H	L	H	L
L	L	H	L	H	L
L	H	X	X	Z	Z

Table 2. Input Receiver Configuration for Differential or LVTTTL/LVCMOS

CONFIG Pin 2 Binary Value	Input Receiver Family	Input Receiver Type
1	LVTTTL in LVCMOS	Single ended, non-inverting, inverting, void of bias resistors.
0	LVDS	Low voltage differential signaling
	LVPECL	Low voltage pseudo (positive) emitter coupled logic

Table 3. Function Control of the TTL Input Logic Used to Accept or Invert the Input Signal

LVTTTL/LVCMOS INPUT LOGIC			
Input Condition		Input Logic	Output Logic Q pins
Ground	IN- Pin 7		
	IN+ Pin 6	Input	True
V_{CC}	IN- Pin 7		
	IN+ Pin 6	Input	Invert
Ground	IN+ Pin 6		
	IN- Pin 7	Input	Invert
V_{CC}	IN+ Pin 6		
	IN- Pin 7	Input	True

Table 4. Power Supply Characteristics

Parameter	Description	Test Conditions	Min.	Typ.	Max.	Unit
I_{CCD}	Dynamic Power Supply Current	$V_{DD} = \text{Max.}$ Input toggling 50% Duty Cycle, Outputs Loaded		1.5	2.0	mA/MHz
I_C	Total Power Supply Current	$V_{DD} = \text{Max.}$ Input toggling 50% Duty Cycle, Outputs Loaded, $f_L = 100 \text{ MHz}$		90	100	mA

Table 5. D.C. Electrical Characteristics: 3.3V-LVDS Input

Parameter	Description	Conditions		Min.	Typ.	Max.	Unit
V_{ID}	Magnitude of Differential Input Voltage			100		600	mV
V_{IC}	Common-Mode of Differential Input Voltage $ V_{ID} $ (min. and max.)			$ V_{ID} /2$	2.4-	$(V_{ID} /2)$	V
I_{IH}	Input High Current	$V_{DD} = \text{Max.}$	$V_{IN} = V_{DD}$		± 10	± 20	μA
I_{IL}	Input Low Current	$V_{DD} = \text{Max.}$	$V_{IN} = V_{SS}$		± 0	± 20	μA
I_I	Input High Current	$V_{DD} = \text{Max.}, V_{IN} = V_{DD}(\text{max.})$				± 20	μA

Notes:

- Stresses greater than those listed under absolute maximum ratings may cause permanent damage to the device. This is intended to be a stress rating only and functional operation of the device at these or any other conditions above those indicated in the operation sections of this specification is not implied. Exposure to absolute maximum rating conditions for extended periods may affect reliability.
- Multiple Supplies: The voltage on any input or I/O pin cannot exceed the power pin during power-up. Power supply sequencing is NOT required.

Table 6. D.C. Electrical Characteristics: 3.3V–LVPECL Input

Parameter	Description	Condition		Min.	Typ.	Max.	Unit
$ V_{ID} $	Differential Input Voltage p-p	Guaranteed Logic High Level		400		2600	mV
VCM	Common-mode Voltage			1650		2250	mV
I_{IH}	Input High Current	$V_{DD} = \text{Max.}$	$V_{IN} = V_{DD}$		± 10	± 20	μA
I_{IL}	Input Low Current	$V_{DD} = \text{Max.}$	$V_{IN} = V_{SS}$		± 10	± 20	μA
I_I	Input High Current	$V_{DD} = \text{Max.}, V_{IN} = V_{DD}(\text{max.})$				± 20	μA

Table 7. D.C Electrical Characteristics: 3.3V–LVTTTL/LVCMOS Input

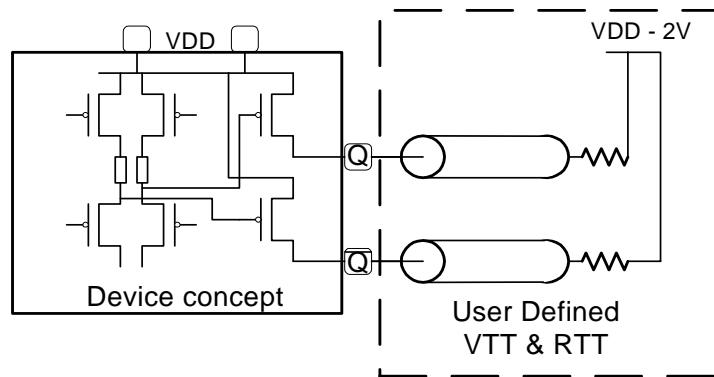
Parameter	Description	Condition		Min.	Typ.	Max.	Unit
V_{IH}	Input High Voltage	Guaranteed Logic High Level		2			V
V_{IL}	Input Low Voltage	Guaranteed Logic Low Level				0.8	V
I_{IH}	Input High Current	$V_{DD} = \text{Max.}$	$V_{IN} = 2.7\text{V}$			1	μA
I_{IL}	Input Low Current	$V_{DD} = \text{Max.}$	$V_{IN} = 0.5\text{V}$			-1	μA
I_I	Input High Current	$V_{DD} = \text{Max.}, V_{IN} = V_{DD}(\text{max.})$				20	μA
V_{IK}	Clamp Diode Voltage	$V_{DD} = \text{Min.}, I_{IN} = -18\text{ mA}$			-0.7	-1.2	V
V_H	Input Hysteresis				80		mV

Table 8. D.C Electrical Characteristics: 3.3V–LVPECL Output

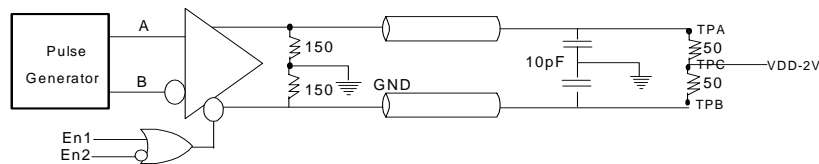
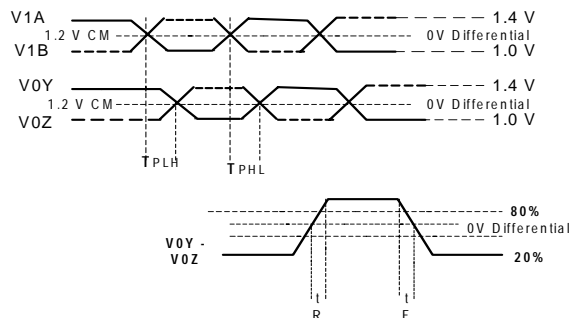
Parameter	Description	Condition		Min.	Typ.	Max.	Unit
$ V_{OD} $	Driver Differential Output Voltage p-p	$V_{DD} = \text{Min.}, V_{IN} = V_{IH} \text{ or } V_{IL}$	$R_L = 50\text{ ohm}$	1000		3600	mV
$ V_{OC} $	Driver common-mode p-p	$V_{DD} = \text{Min.}, V_{IN} = V_{IH} \text{ or } V_{IL}$	$R_L = 50\text{ ohm}$			226	mV
Rise Time Fall Time	Differential 20% to 80%	CL–10 pF R_L and CL to GND	$R_L = 50\text{ ohm}$	300		800	pS
V_{OH}	Output High Voltage	$V_{DD} = \text{Min.}, V_{IN} = V_{IH} \text{ or } V_{IL}$	$I_{OH} = -12\text{ mA}$	2.1		3.0	V
V_{OL}	Output Low Voltage	User-defined (see Figure 1)					V
I_{OS}	Short Circuit Current	$V_{DD} = \text{Max.}, V_{OUT} = G_{ND}$		-125		-150	mA

Table 9. AC Switching Characteristics @ 3.3V $V_{DD} = 3.3\text{V} \pm 5\%$, Temperature = -40°C to $+85^\circ\text{C}$

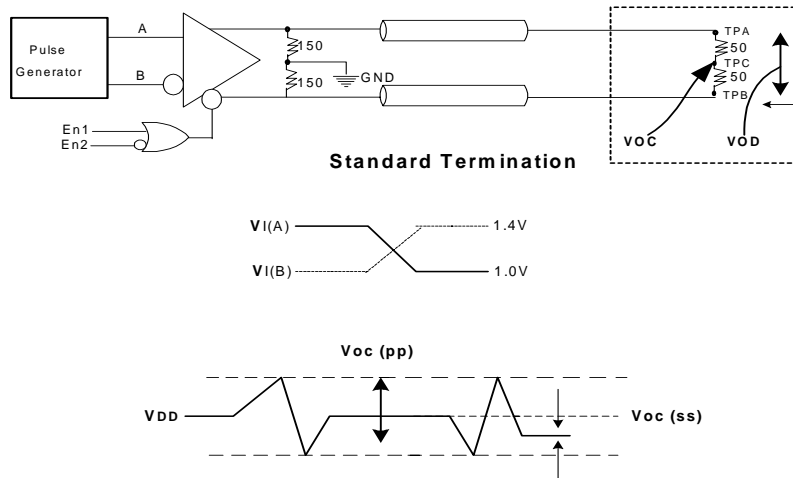
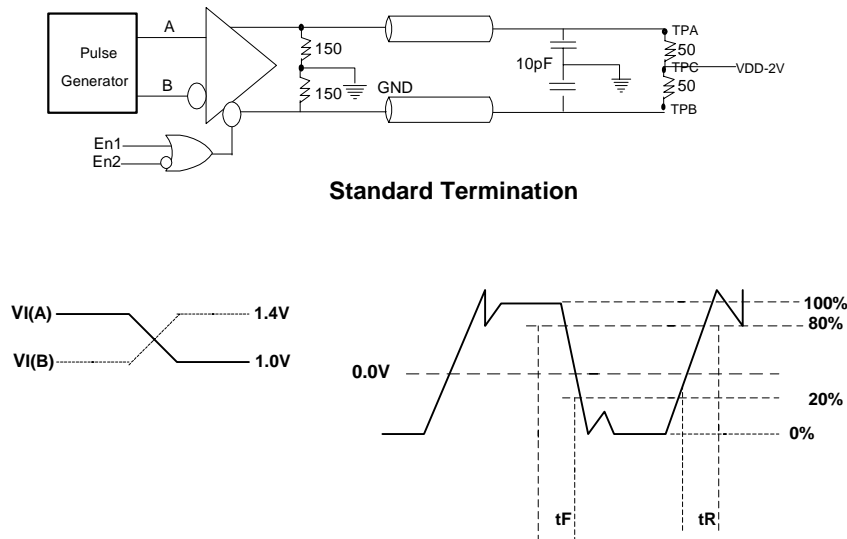
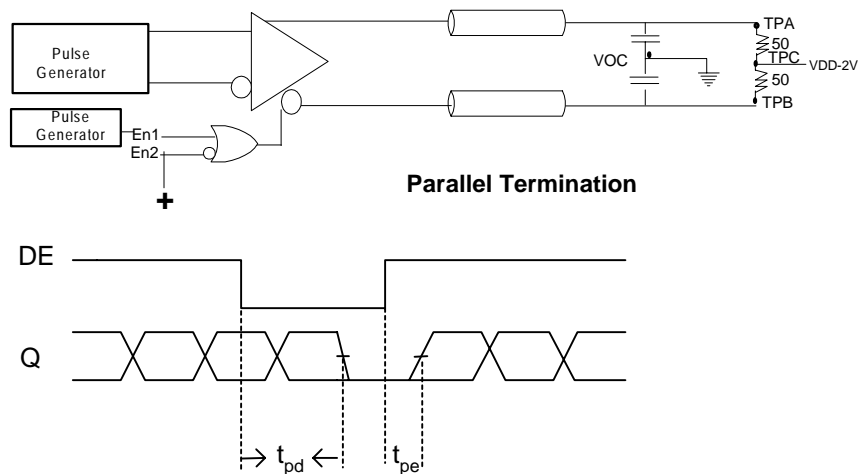
Parameter	Description	Conditions	Min.	Typ.	Max.	Unit
IN [+,-] to Q[A,B] Data & Clock Speed						
t_{PLH}	Propagation Delay–Low to High	$V_{OD} = 100\text{ mV}$	3	4	5	nS
t_{PHL}	Propagation Delay–High to Low		3	4	5	nS
t_{PD}	Propagation Delay		3	4	5	ns
EN [1,2] to Q[A,B] Control Speed						
t_{PE}	Enable (EN) to functional operation				6	nS
T_{pd}	Functional operation to Disable				5	nS
$t_{SK(0)}$	Output Skew: Skew between outputs of the same package (in phase)				0.2	nS
$t_{SK(p)}$	Pulse Skew: Skew between opposite transitions of the same output ($t_{PHL} - t_{PLH}$)			0.2		nS
$t_{SK(t)}$	Package Skew: Skew between outputs of different packages at the same power supply voltage, temperature and package type. Same input signal level and output load.	$V_{ID} = 100\text{ mV}$			1	nS


Figure 1. Differential PECL Output
Table 10. High-frequency Parametrics

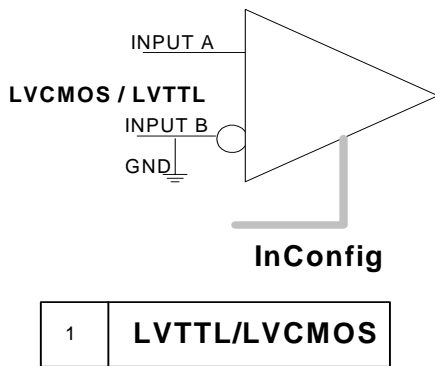
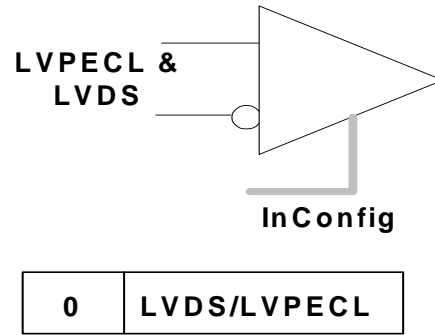
Parameter	Description	Conditions	Min.	Typ.	Max.	Unit
Fmax	Maximum Frequency $V_{DD} = 3.3V$	50% Duty Cycle $tW(50-50)$ Standard Load Circuit			450	MHz
Fmax(20)	Maximum Frequency $V_{DD} = 3.3V$	20% Duty Cycle $tW(20-80)$ LVPECL Input $V_{in} = V_{IH}(\text{Max.})/V_{IL}(\text{Min.})$ $V_{out} = V_{OH}(\text{Min.})/V_{OL}(\text{Max.})$ (Limit)			175	MHz
TW	Minimum Pulse $V_{DD} = 3.3V$	LVPECL Input $V_{in} = V_{IH}(\text{Max.})/V_{IL}(\text{Min.})$ $F = 100$ MHz $V_{out} = V_{OH}(\text{Min.})/V_{OL}(\text{Max.})$ (Limit)	900			pS


Standard Termination

Figure 2. Differential Receiver to Driver Propagation Delay and Driver Transition Time^[3, 4, 5, 6, 7]
Notes:

3. $R_L = 50 \text{ ohm} \pm 1\%$; $Z_{line} = 50 \text{ ohm}$ $\theta = 0$.
4. CL includes instrumentation and fixture capacitance within 6 mm of the UT.
5. TPA and B are used for prop delay and rise/fall measurements. T_{PC} is used for V_{OC} measurements only and otherwise connected to $V_{DD} - 2$.
6. When measuring T_r/T_f , t_{pd} , V_{OD} point T_{PC} is held at $V_{DD} - 2.0V$.
7. LVCMOS/LVTTL single-ended input value. Ground either input: when on the B side, non-inversion takes place. If A side is grounded, the signal becomes the complement of the input on B side. See *Table 3*.

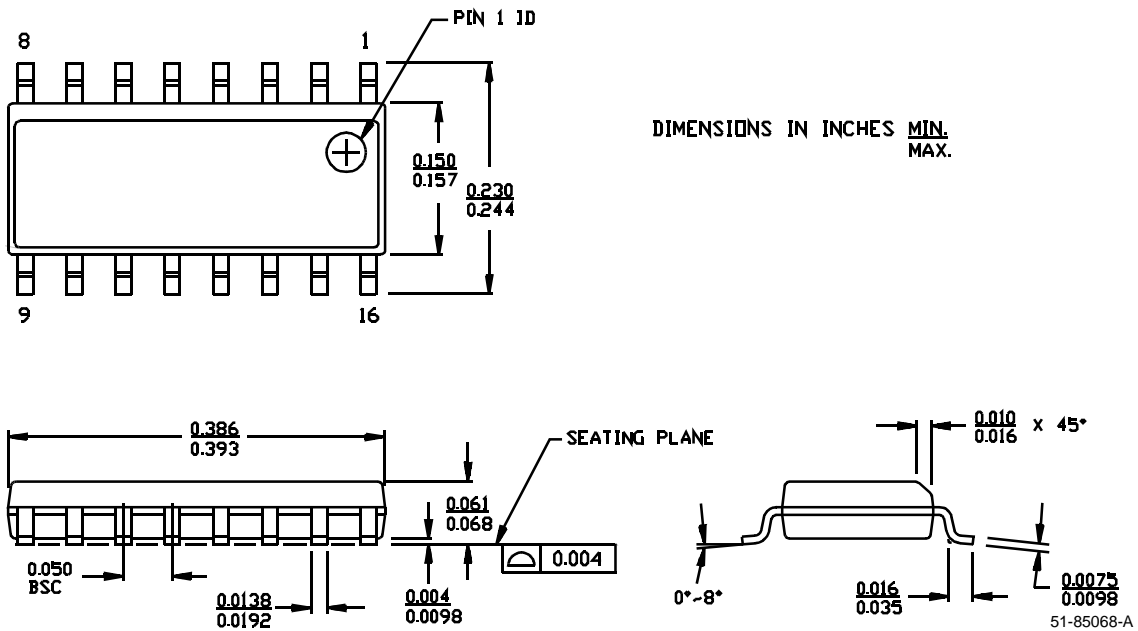

Figure 3. Test Circuit & Voltage Definitions for the Driver Common-mode Output Voltage^[3, 4, 5, 7, 8]

Figure 4. Test Circuit & Voltage Definitions for the Differential Output Signal^[3, 4, 5, 6, 7]

Figure 5. Test Circuit & Voltage Definitions for the Driver Common-Mode Output Voltage^[3, 4, 5, 8, 9]
Notes:

8. V_{OC} measurement requires equipment with a 3-dB bandwidth of at least 300 MHz.
9. All input pulses are supplied by a frequency generator with the following characteristics: TR and tF ≤ 1 nS; pulse re-rate = 50 Mpps; pulse width = 10 ± 0.2 nS.

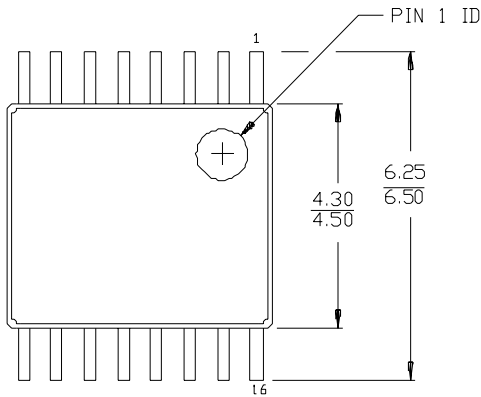

Figure 6. [7]

Figure 7. [10]

Ordering Information

Part Number	Package Type	Product Flow
CY2DP814ZI	16-pin TSSOP	Industrial, -40°C to 85°C
CY2DP814ZIT	16-pin TSSOP–Tape and Reel	Industrial, -40°C to 85°C
CY2DP814SI	16-pin SOIC	Industrial, -40°C to 85°C
CY2DP814SIT	16-pin SOIC–Tape and Reel	Industrial, -40°C to 85°C
CY2DP814ZC	16-pin TSSOP	Commercial, 0°C to 70 °C
CY2DP814ZCT	16-pin TSSOP–Tape and Reel	Commercial, 0°C to 70 °C
CY2DP814SC	16-pin SOIC	Commercial, 0°C to 70 °C
CY2DP814SCT	16-pin SOIC–Tape and Reel	Commercial, 0°C to 70 °C

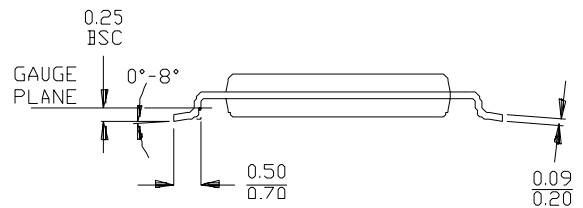
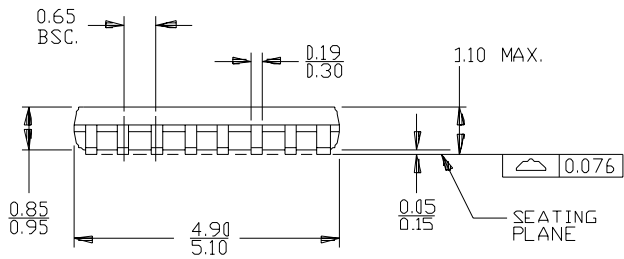
Package Drawing and Dimensions
16-lead (150-mil) Molded SOIC S16


Note:
 10. LVPECL or LVDS differential input value.

Package Drawings and Dimensions (continued)
16-Lead Thin Shrunken Small Outline Package (4.40 MM Body) Z16


DIMENSIONS IN MILLIMETERS.

MIN.
MAX.



51-85091

All product and company names mentioned in this document are the trademarks of their respective holders.cv



Document Title: ComLink™Series CY2DP814 1:4 Clock Fanout Buffer Document Number: 38-07060				
REV.	ECN No.	Issue Date	Orig. of Change	Description of Change
**	10785	06/07/01	IKA	Convert from IMI to Cypress
*A	115610	07/02/02	CTK	Range of VCM
*B	122746	12/15/02	RBI	Added power-up requirements to maximum ratings information.