

# 2mm EJECTOR HEADER EHT SERIES

## SPECIFICATIONS

For complete specifications see [www.samtec.com?EHT](http://www.samtec.com?EHT)

**Insulator Material:**  
Black Liquid Crystal Polymer  
**Terminal Material:**  
Phosphor Bronze  
**Current Rating:**  
3A @ 80°C ambient  
**Operating Temp Range:**  
-65°C to +125°C  
**Plating:**  
Sn or Au over 50µ" (1.27µm) Ni

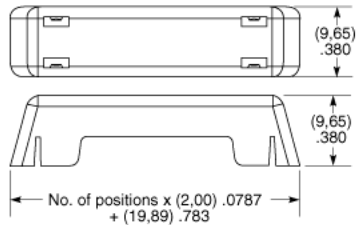


**Note:** Some lengths, styles and options are non-standard, non-returnable.

**Mates with:**  
TCSD

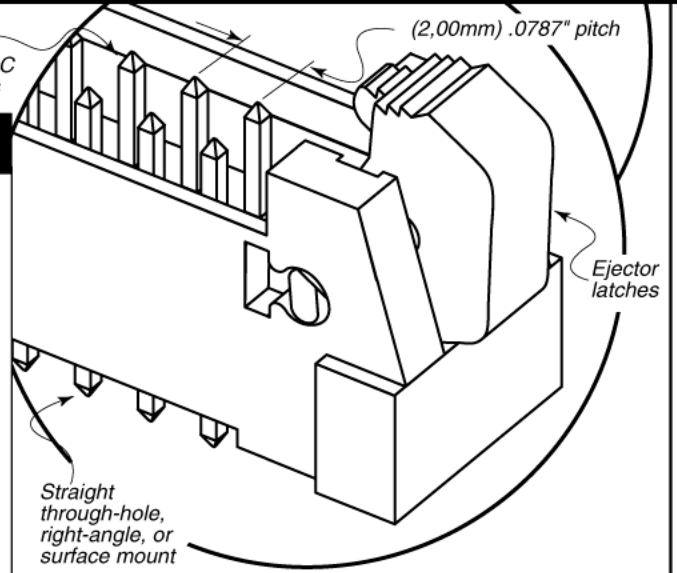
Ten standard sizes mate with common 2mm IDC cable assemblies

### EJECTOR HEADER CAP (Locks TCSD cable to EHT header)



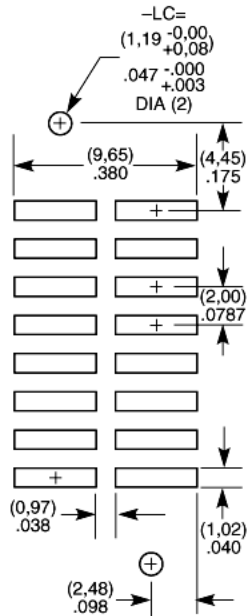
**EC2** - **NO. PINS PER ROW**

05, 08, 10, 12, 13, 15, 17, 20, 22, 25



## Processing:

**Max Processing Temp:**  
230°C for 60 seconds  
**SMT Lead Coplanarity:**  
(0,10mm) .004" max  
**Suggested Paste Thickness:**  
For most applications add (0,05mm) .002" to max SMT  
**Suggested PCB Layouts:**  
For reference only. Please contact Samtec or go to [www.samtec.com?EHT](http://www.samtec.com?EHT) for recommended PCB layout.



<b>EHT</b>	<b>1</b>	<b>NO. PINS PER ROW</b>	<b>01</b>	<b>PLATING OPTION</b>	<b>D</b>	<b>TAIL OPTION</b>	<b>OTHER OPTION</b>
		<b>05, 08, 10, 12, 13, 15, 17, 20, 22, 25</b>			<b>-S</b> = 30µ" (0.76µm) Gold post, Tin on tail	Leave blank for straight pin <b>-RA</b> = Right Angle <b>-SM</b> = Surface Mount	<b>- "XX"</b> = Polarized Position <b>-LC</b> = Locking Clip (-SM only) <b>-K</b> = (6,50mm) .256" DIA Polyimide Film Pick & Place Pad (-SM only) <b>-P</b> = Pick & Place Pad (-SM only) <b>-TR</b> = Tape & Reel Packaging (-SM only) (-LC not available)

Due to technical progress, all designs, specifications and components are subject to change without notice.

[WWW.SAMTEC.COM](http://WWW.SAMTEC.COM)