

100145-1 ✓ ACTIVE

Z-PACK | Z-PACK 2mm HM

TE Internal #: 100145-1

Hard Metric Backplane Connectors, PCB Mount Receptacle,  $\leq 1$  Gb

/s, 25 Column, 5 Row, Mezzanine, 125 Position, 2 mm [.078 in]

Centerline, Z-PACK 2mm HM

[View on TE.com >](#)



[Connectors >](#) [PCB Connectors >](#) [Backplane Connectors >](#) [Hard Metric Backplane Connectors >](#)

HM Receptacle Connector: Traditional Backplane, Coplanar, 2mm



PCB Connector Assembly Type: **PCB Mount Receptacle**

Data Rate:  $\leq 1$  Gb/s

Number of Columns: **25**

Number of Rows: **5**

Backplane Architecture: **Mezzanine**

[All HM Receptacle Connector: Traditional Backplane, Coplanar, 2mm \(48\)](#)

## Features

### Product Type Features

Backplane Interface Type	2mm HM
PCB Connector Assembly Type	PCB Mount Receptacle
Connector System	Board-to-Board
Sealable	No
Connector & Contact Terminates To	Printed Circuit Board

### Configuration Features

Rows Loaded	A, B, C, D, E
Number of Columns	25
Number of Rows	5
Backplane Architecture	Mezzanine
Number of Positions	125
PCB Mount Orientation	Right Angle



### Signal Characteristics

Crosstalk Version	Standard
Data Rate	≤1 Gb/s

### Body Features

Primary Product Color	Gray
-----------------------	------

### Contact Features

Contact Mating Area Length	3.7 mm
Feedthrough Post Length	3.7 mm
CompactPCI Designation	None
Contact Type	Socket
Contact Underplating Material	Nickel
PCB Contact Termination Area Plating Material	Tin-Lead
Contact Base Material	Phosphor Bronze
Contact Mating Area Plating Material	Gold
Contact Mating Area Plating Material Thickness	.76 μm[30 μin]
Contact Current Rating (Max)	1.5 A

### Termination Features

Termination Method to Printed Circuit Board	Through Hole - Press-Fit
---	--------------------------

### Mechanical Attachment

Connector Mounting Type	Board Mount
-------------------------	-------------

### Housing Features

Housing Material	PBT GF
Centerline (Pitch)	2 mm[.078 in]

### Dimensions

Backplane Module Length	50 mm
-------------------------	-------

### Usage Conditions

Operating Temperature Range	-55 – 125 °C[-67 – 257 °F]
-----------------------------	----------------------------

### Operation/Application

Shielded	No
Circuit Application	Power & Signal

### Industry Standards

--	--



UL Flammability Rating	UL 94V-0
------------------------	----------

**Packaging Features**

Packaging Quantity	11
Packaging Method	Tube

**Product Compliance**

[For compliance documentation, visit the product page on TE.com>](#)

EU RoHS Directive 2011/65/EU	Not Compliant
EU ELV Directive 2000/53/EC	Compliant with Exemptions
China RoHS 2 Directive MIIT Order No 32, 2016	Restricted Materials Above Threshold
EU REACH Regulation (EC) No. 1907/2006	Current ECHA Candidate List: JUNE 2023 (235) Candidate List Declared Against: JUNE 2023 (235) SVHC > Threshold: Pb (13% in Component Part) <b>Article Safe Usage Statements:</b> Do not eat, drink or smoke when using this product. Wash thoroughly after handling. Recycle if possible and dispose of the article by following all applicable governmental regulations relevant to your geographic location.
Halogen Content	Not Low Halogen - contains Br or Cl > 900 ppm.
Solder Process Capability	Not applicable for solder process capability

Product Compliance Disclaimer

This information is provided based on reasonable inquiry of our suppliers and represents our current actual knowledge based on the information they provided. This information is subject to change. The part numbers that TE has identified as EU RoHS compliant have a maximum concentration of 0.1% by weight in homogenous materials for lead, hexavalent chromium, mercury, PBB, PBDE, DBP, BBP, DEHP, DIBP, and 0.01% for cadmium, or qualify for an exemption to these limits as defined in the Annexes of Directive 2011/65/EU (RoHS2). Finished electrical and electronic equipment products will be CE marked as required by Directive 2011/65/EU. Components may not be CE marked. Additionally, the part numbers that TE has identified as EU ELV compliant have a maximum concentration of 0.1% by weight in homogenous materials for lead, hexavalent chromium, and mercury, and 0.01% for cadmium, or qualify for an exemption to these limits as defined in the Annexes of Directive 2000/53/EC (ELV). Regarding the REACH Regulation, the information TE provides on SVHC in articles for this part number is based on the latest European Chemicals Agency (ECHA) 'Guidance on requirements for substances in articles' posted at this URL: <https://echa.europa.eu/guidance-documents/guidance-on-reach>

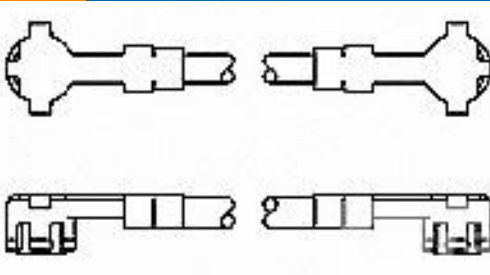
**Compatible Parts**




TE Part # CAT-472-Z1  
Hard Metric Backplane Male Connector: Right Angle, Coplanar, 2mm



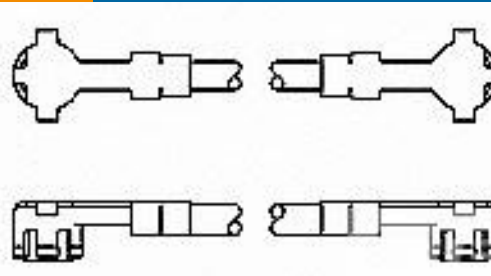
TE Part # 100141-1  
Z-PACK/B MALE HDR 125P, 2MM HM



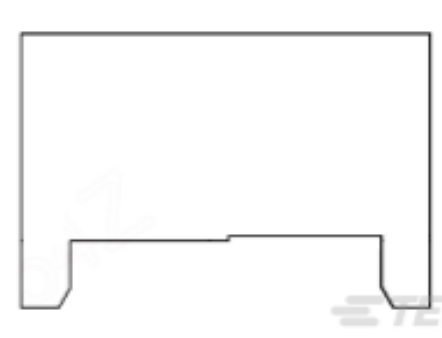
TE Part # 1064523-1  
9960 1075 24



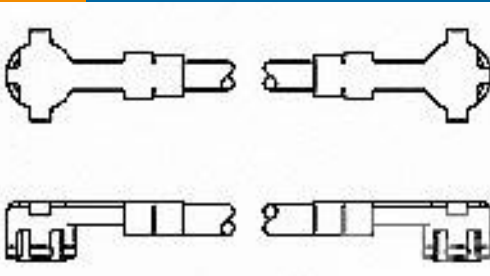
TE Part # 646479-2  
2MM H.M. "B" SHROUD, 3.9MM



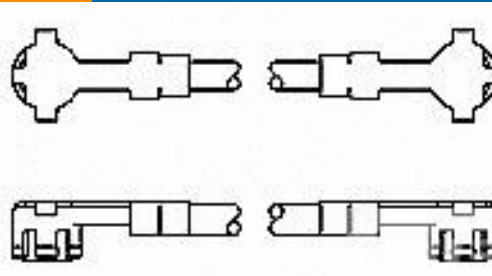
TE Part # 1064522-1  
9960 1050 24



TE Part # 122559-1  
SEATING TOOL 2MM HM 7 ROW



TE Part # 1064526-1  
9960 1130 24



TE Part # 1064529-1  
9960 1165 24



TE Part # 352601-2  
ZP,HSN..50MM LIF SH



TE Part # 646479-1  
2MM H.M. "B" SHROUD, 3MM



TE Part # 646479-4  
2MM H.M. "B" SHROUD, 4.3MM



TE Part # 646479-5  
2MM H.M. "B" SHROUD, 4.5MM



TE Part # 646479-6  
2MM H.M. "B" SHROUD, 4.7MM



TE Part # 354687-1  
2MM HM & 2MM FB REPAIR HAND TL

TE Part # 1-2016000-0  
SSMT JACK TO JACK CABLE ASSY

TE Part # 1-2016000-1  
SSMT JACK TO JACK CABLE ASSY

TE Part # 1064527-1  
9960 1140 24



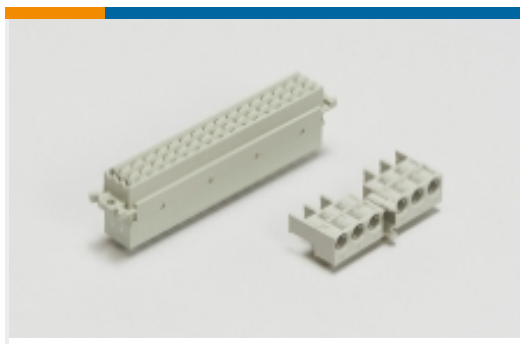
TE Part # 1064530-2  
SSMT JACK TO JACK CABLE ASSY, 152 mm



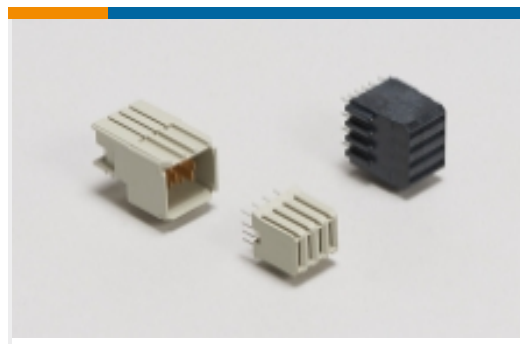
TE Part # 1064533-3  
SSMT RA JACK TO JACK CABLE ASSEMBLY

TE Part # 1064537-1  
9960 2160 24

Also in the Series | **Z-PACK 2mm HM**



Backplane Connector Housings(4)



Backplane Power Connectors(6)



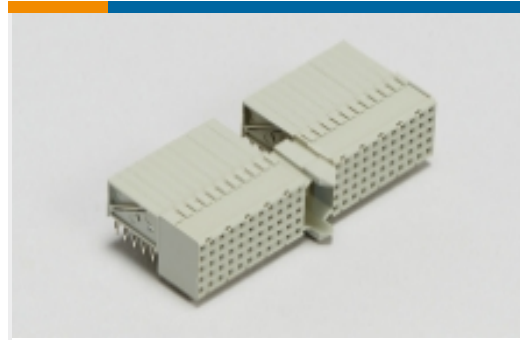
Board-to-Board Connector Contacts(2)



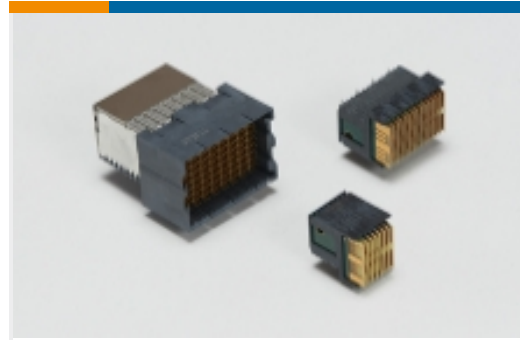
Connector Caps & Covers(62)



Connector Hardware(97)



Hard Metric Backplane Connectors (268)



High Speed Backplane Connectors(1)



Insertion & Extraction Tools(2)

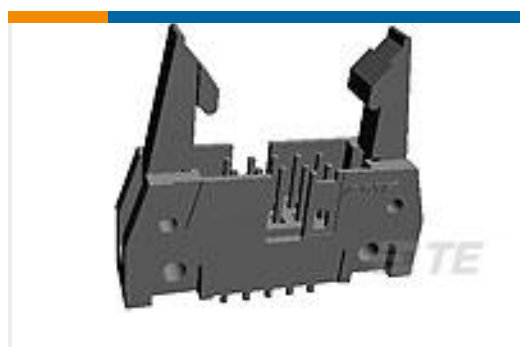


Rectangular Power Connectors(87)

### Customers Also Bought



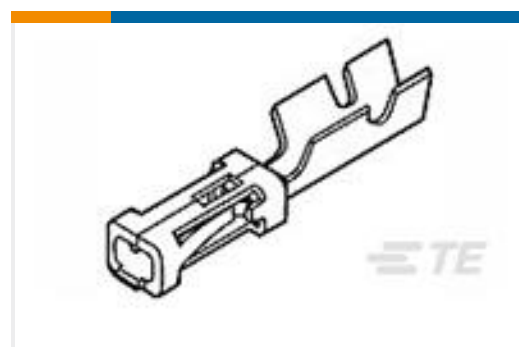
TE Part #106014-1  
Z-PACK/B RAMH.125P.



TE Part #5499922-8  
A/L UNIV HDR 34P VERT LG LAT



TE Part #770258-1  
SL.156 .045 POST CONTACT AU



TE Part #103455-2  
MOD V RECP LP



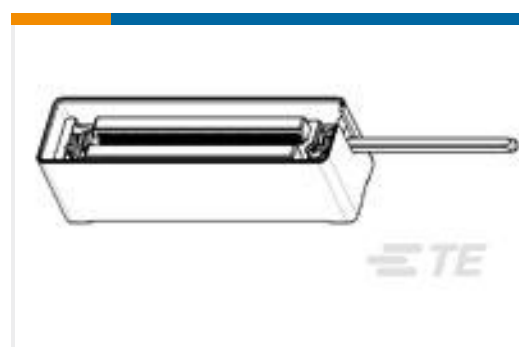
TE Part #2-480703-0  
04P UMNL CAP HSG NATL



TE Part #2-1617031-0  
HFW1201K45 = M39016/6-109L



TE Part #1624345-1  
NTC0805 5% 10K



TE Part #6565204-1  
TC-ZIF REC ASSY 260P



## Documents

### Product Drawings

#### Z-PACK/B F-HDR.125P

English

### CAD Files

#### Customer View Model

##### ENG\_CVM\_100145-1\_M.2d\_dxf.zip

English

#### Customer View Model

##### ENG\_CVM\_100145-1\_M.3d\_igs.zip

English

#### Customer View Model

##### ENG\_CVM\_100145-1\_M.3d\_stp.zip

English

### 3D PDF

English

By downloading the CAD file I accept and agree to the [Terms and Conditions](#) of use.

### Product Specifications

#### Application Specification

English

### Product Environmental Compliance

#### MD\_100145-1\_06232014946\_dmtec

English

#### MD\_100145-1\_06232014946\_dmtec

English

### Instruction Sheets

#### INSERTION TOOL FOR Z-PACK 2mm HM CONN.

Japanese

#### Instruction Sheet (non U.S.)

Japanese