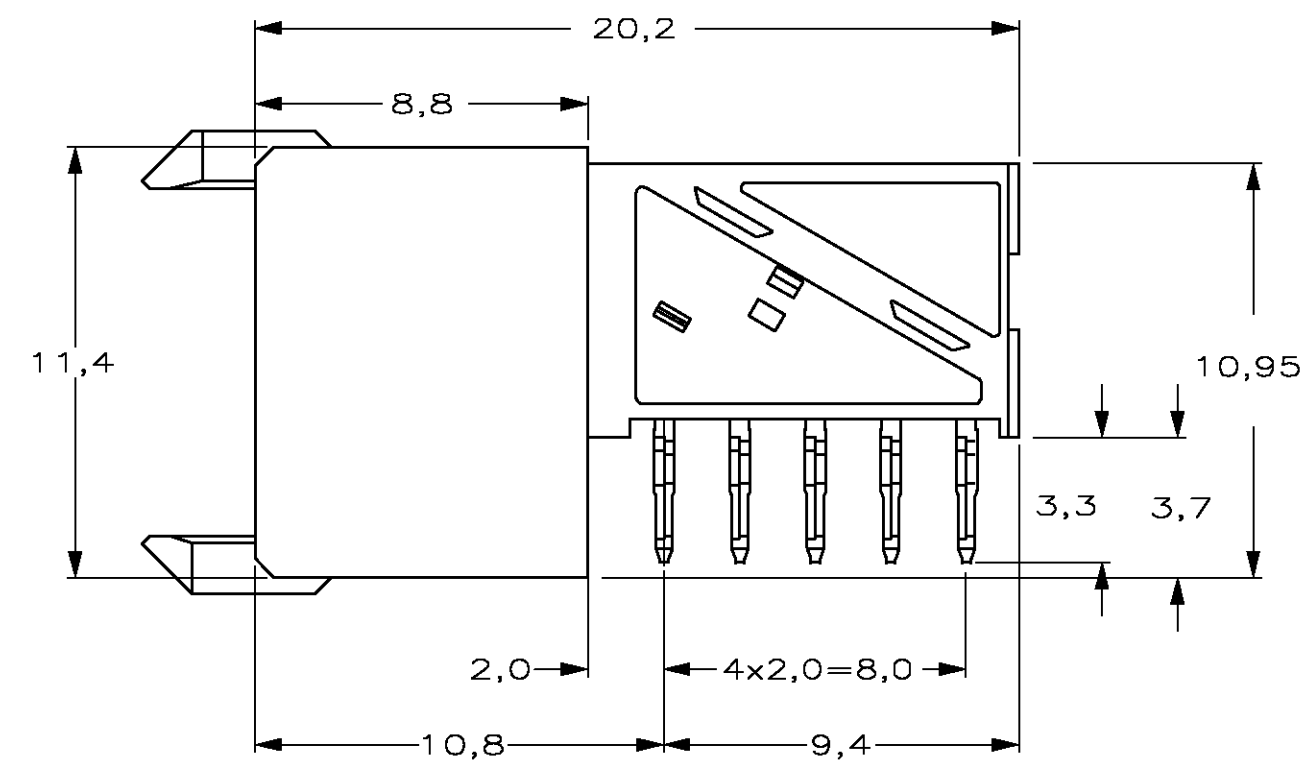
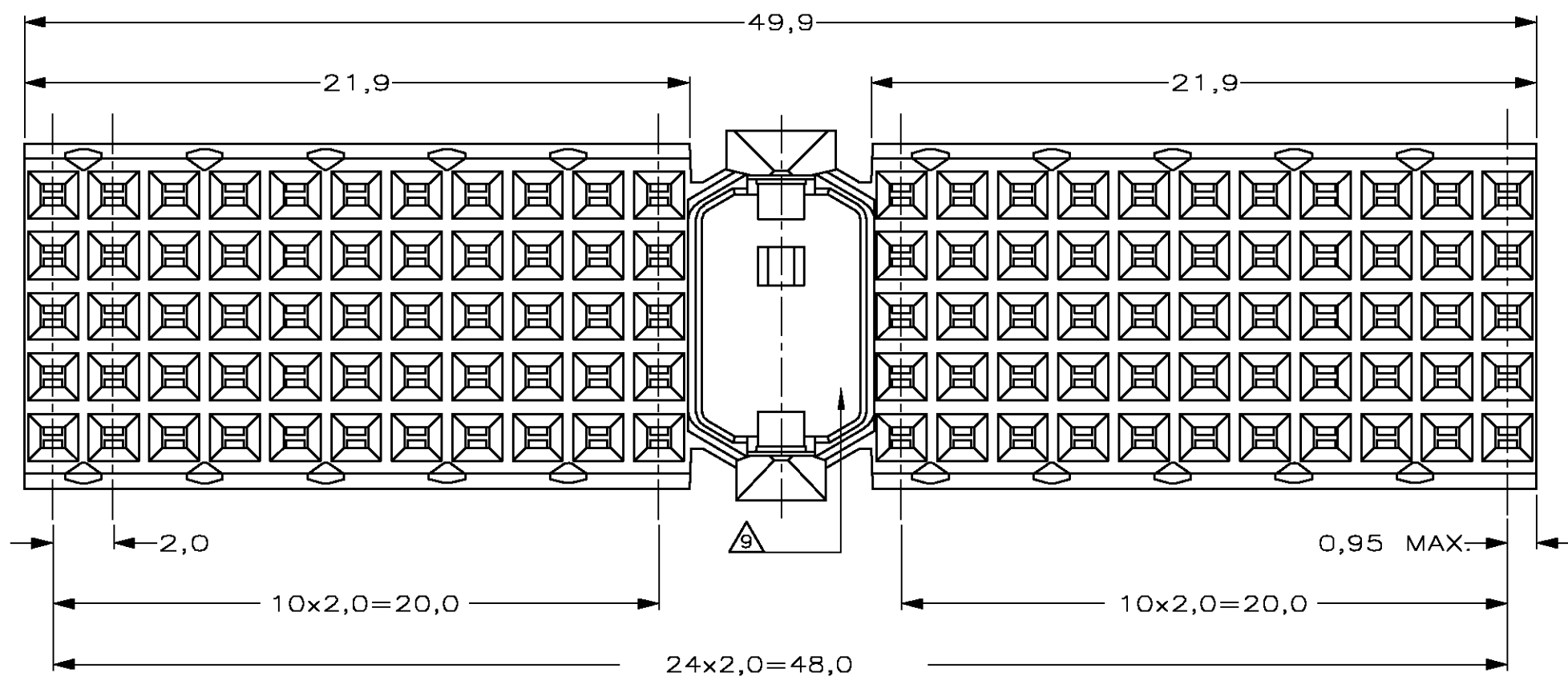
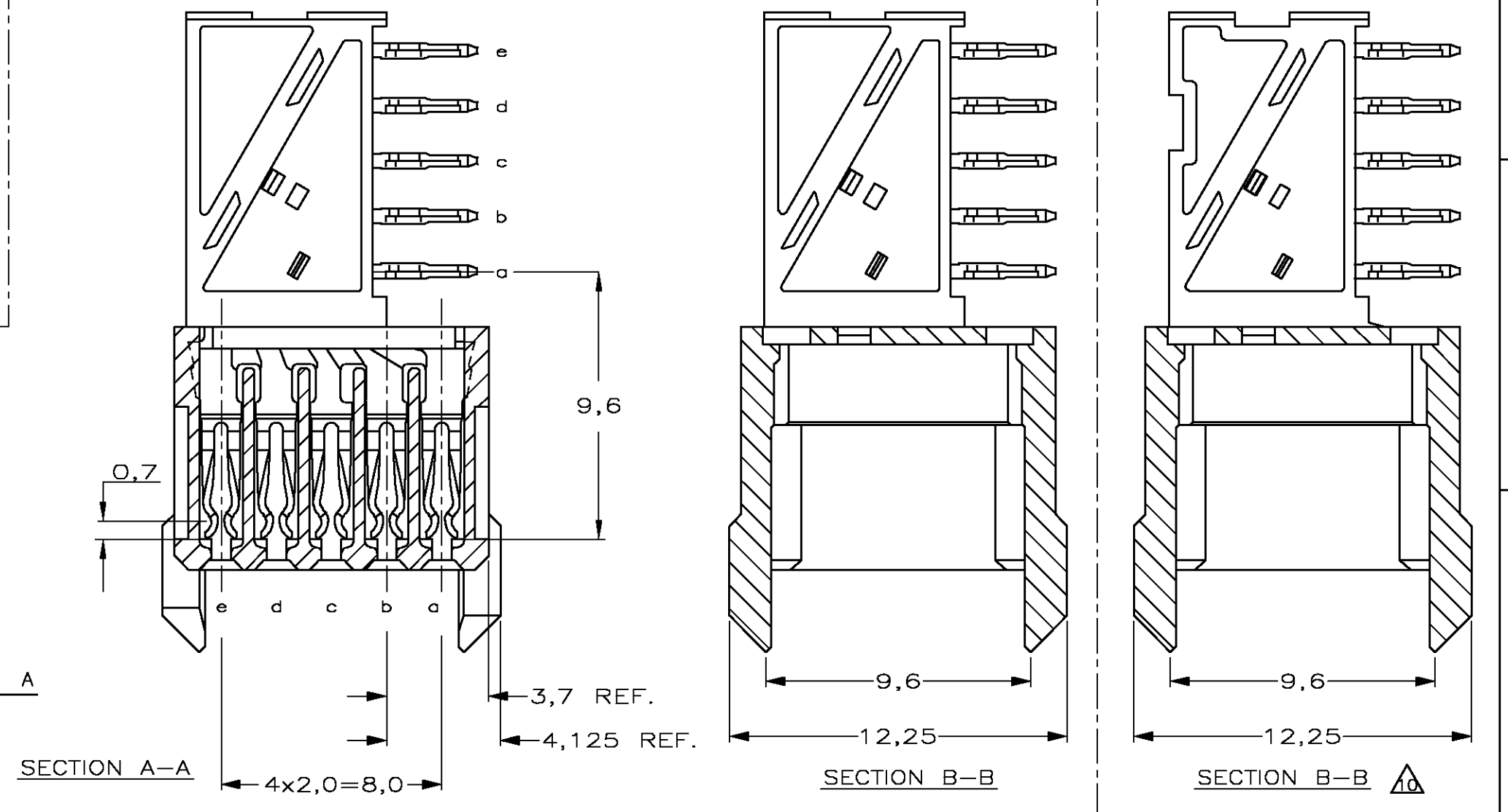
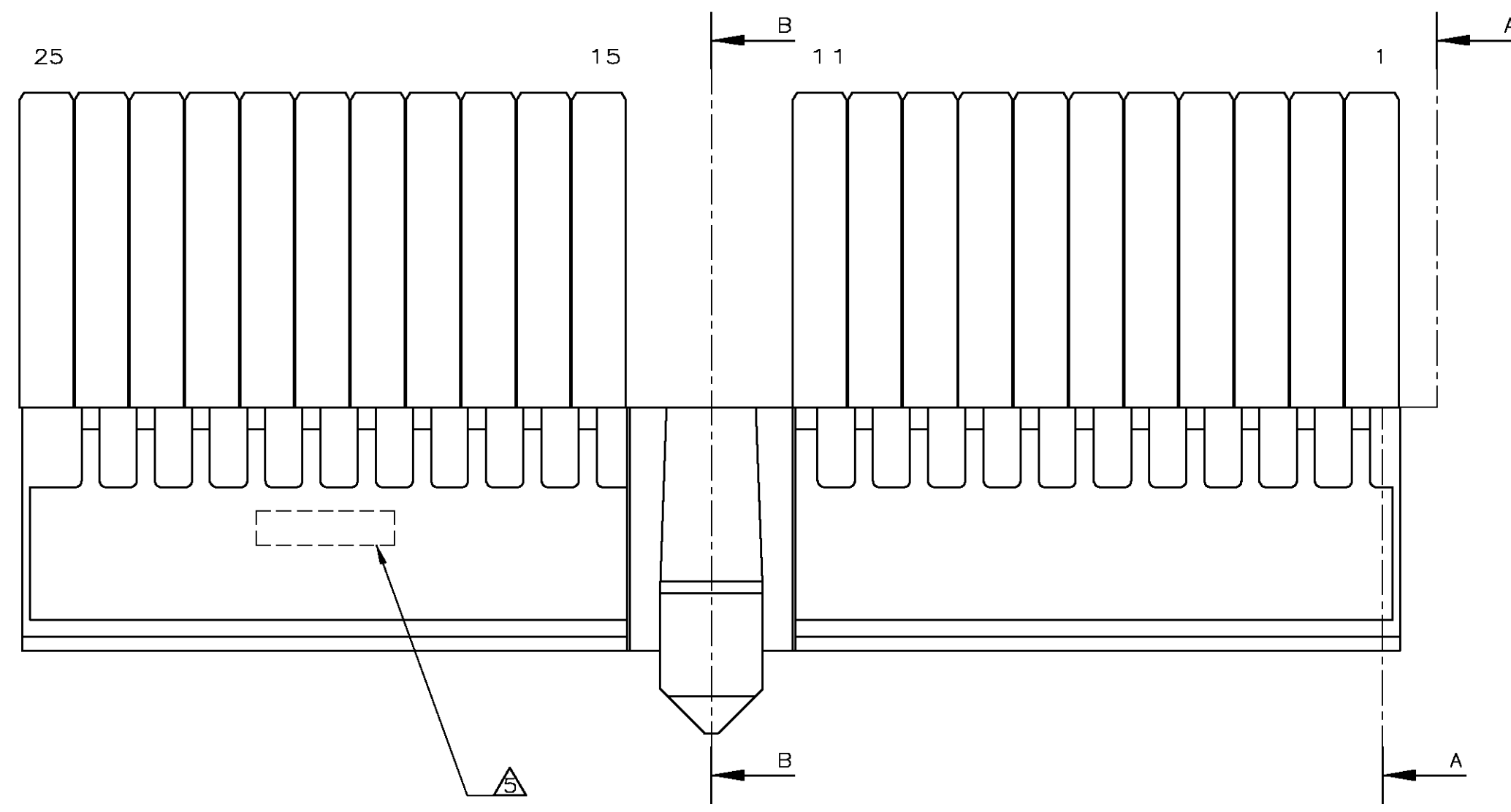


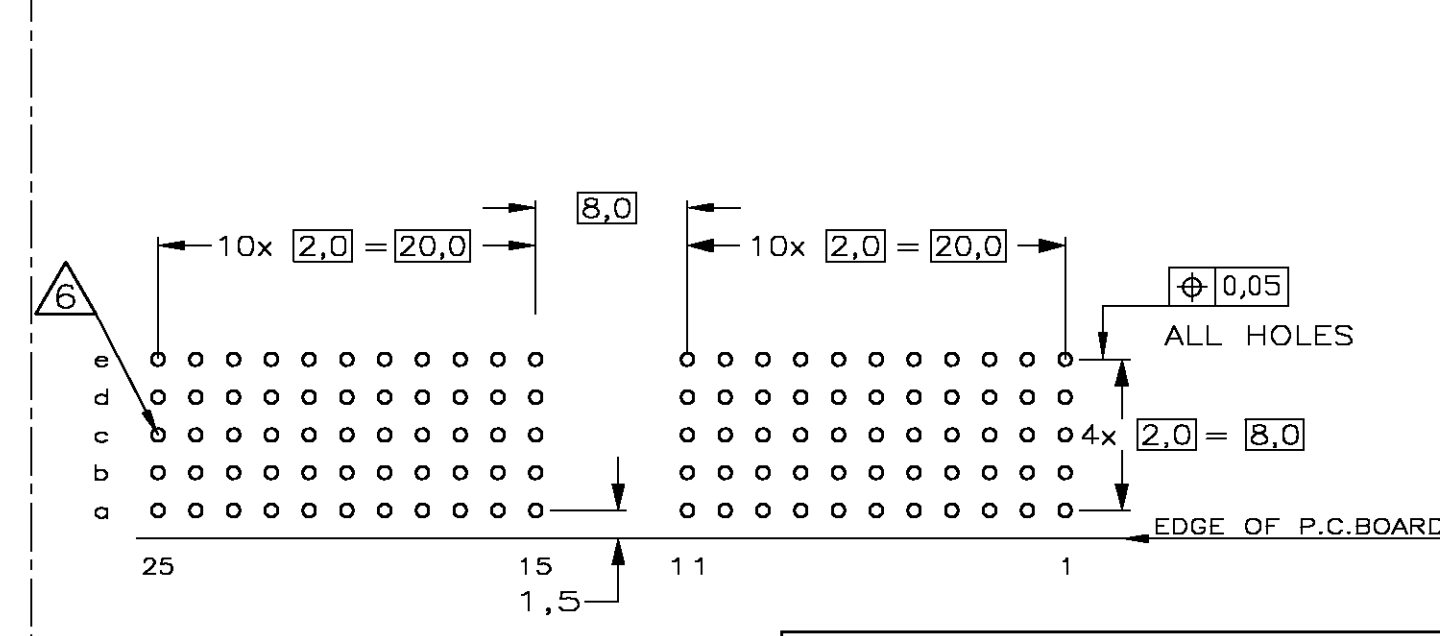
DO NOT SCALE
DIMENSIONS IN mm

METRIC

THIRD ANGLE
PROJECTION



- NOTES:
- ⚠ PLATING CONTACT AREA: 0,76µm Au MIN. OVER 1,27µm Ni MIN.
ACTION PIN, 0,5µm SnPb MIN. OVER 1,27µm Ni MIN.
 - ⚠ PLATING CONTACT AREA: 2,0µm Au MIN. OVER 1,27µm Ni MIN.
ACTION PIN, 0,5µm SnPb MIN. OVER 1,27µm Ni MIN.
 - ⚠ PLATING CONTACT AREA: 1,27µm Au MIN. OVER 1,27µm Ni MIN.
ACTION PIN, 0,5µm SnPb MIN. OVER 1,27µm Ni MIN.
 - ⚠ MATERIAL CONTACT; PHOSPHORBRONZE
 - ⚠ MATERIAL HOUSING; GLASSFILLED POLYESTER (GRAY) UL-RATING 49VO
 - ⚠ CONNECTOR MARKED WITH PARTNUMBER AND DATECODE.
THE MARKING CAN APPEAR ON THE FRONT SIDE OR ON THE BACK SIDE.
 - ⚠ PLATED-THROUGH HOLES AT 2x2mm SQUARE GRID. 110 HOLES.
 - ⚠ CONNECTOR LUBRICATED WITH BELLCORE APPROVED LUBRICANT.
 - 8 TECHNICAL REFERENCE: TR-NWT-001217 ISSUE 1, SEPT. 1992.
CONNECTOR TESTED AND QUALIFIED AGAINST BELLCORE
QUALITY LEVEL III, CENTRAL OFFICE APPLICATIONS.
 - 8 FITS WITH INTEGRATED GROUND RETURN UPSHIELD, BASIC P.N. 338107
AND INTEGRATED GROUND RETURN LOWERSHIELD, BASIC P.N. 338108
 - ⚠ AREA RESERVED FOR CODING KEY, BASIC P.N. 100526
 - ⚠ CONNECTOR ASSEMBLED WITH ALTERNATE FEMALE CONTACTS.



SCALE 2,5:1
COMPONENT SIDE AS SHOWN
RECOMMENDED PCB-HOLE LAY-OUT

P.C.B. HOLE DIM. ACTION PIN
DRILLED HOLE: 0,7±0,025mm
FIN. HOLE : 0,55 TO 0,65mm
Cu-thks : 0,025 TO 0,050mm
SnPb-thks : 0,004 TO 0,010mm

| FINISH | MATERIAL | PARTNUMBER |
|--------|----------|--------------|
| ⚠ | ⚠ | 1-100147-9 ⚠ |
| ⚠ | ⚠ | 100147-9 ⚠ |
| ⚠ | ⚠ | 100147-4 ⚠ |
| ⚠ | ⚠ | 100147-3 ⚠ |
| ⚠ | ⚠ | 100147-1 ⚠ |

| CUSTOMER DRAWING | | | | FOR REFERENCE ONLY WILL NOT BE UPDATED | |
|----------------------|--------------|--------------------|----------|---|----|
| - | - | - | - | - | - |
| - | - | - | - | - | - |
| - | - | - | - | - | - |
| K | SR10-0090-01 | DKB | DP | 13-MAR-01 | |
| J | EH-0488-00 | RB | MB | 11-JUL-00 | |
| H | EH-0436-97 | LvdH | WvdH | 6 MAY'97 | |
| G | EH-0816-96 | DT | WvdH | 20-01-97 | |
| LTR. REVISION RECORD | | DR. CHK. DATE | | DWG.No. | |
| DR.: D. TRUREN | | CHK.: W vd HEUDDEN | | APP.: F.V.KONINGSBRUGGE | |
| DATE: 20-01-97 | | DATE: 20-01-97 | | DATE: - | |
| C-100147 | | | REV.LTR. | SHEET | A2 |
| | | | K | 1 of 1 | |

© COPYRIGHT 2000 BY TYCO NETHERLANDS B.V.
ALL INTERNATIONAL RIGHTS RESERVED. AMP PRODUCTS MAY BE
COVERED BY U.S. AND FOREIGN AND/OR PATENTS PENDING.
THIS DRAWING IS UNPUBLISHED
RELEASED FOR PUBLICATION

Tyco Electronics Tyco Electronics Corp.
Oostkamp, Belgium.

NAME: Z-PACK 2mm HM TYPE A
110 POS. FEMALE CONNECTOR

- [Home](#)
- [Part Number Search](#)
- [Text Search](#)
- [Alternate Part Search](#)
- [Multiple Part Comparison](#)
- [Alphabetical Search](#)
- [Brand Search](#)
- [Industry Product Search](#)
- [Product Type Search](#)
- [Product Family Search](#)
- [Competitor Cross Reference](#)
- [Document Number Search](#)
- [Lead Free Solutions](#)
- [Help/Glossary](#)

| | | |
|---------------------------|---------------------|--|
| Current Brand View | AMP | View All Tyco Electronics Brands <small>Click to activate links to all other products</small> |
|---------------------------|---------------------|--|

High Speed Connectors

[2mm Hard Metric PCB Mount Connectors \(Z-PACK 2mm HM\)](#)

[2mm HM PCB Mount Connectors \(Z-PACK\)](#)

[AMP](#) **100147-1** -- 1 of 8 products [Active](#) [Active](#)

(Tyco Electronics P/N: 100147-1)

| | | | |
|----------------------|--------------------------------------|-----------------------------------|--------------------------------------|
| Next | Sales Information | AMP ACES | Step Search Screen |
| | Related CAD Geometry | Related Documents | General Information |
| | | Pricing | Product Availability |

Please use the customer drawing for all design activity.

- **Customer Drawing: 100147, Rev. K**
Document Title: Z-pack 2mm HM type A 110 pos female connector

[219712.pdf](#) [219712.pdf](#) (80K)

The photographs and/or line drawings below are representative images of a product for viewing purposes only.

[Product Photo](#)

Searchable Features:

| | |
|-------------------------------------|----------------------------|
| Brand: | AMP |
| Gender: | Receptacle |
| Product Type: | Connector |
| Connector Type: | Type A |
| Contact Type: | ACTION PIN Posts, Signal |
| No. of Rows: | 5 |
| No. of Positions: | 110 |
| PCB Mount Angle: | Right Angle |
| Board Mount: | Free Board |
| Mating Polarization: | Yes |
| Mating Polarization Method: | Multi-Purpose Center |
| Module Length (mm [in]): | 50.00 [1.968] |
| Crosstalk Version: | Standard |
| Shielded: | No |
| CompactPCI: | Yes |
| Contact Mating Area Plating: | Gold (30) over Nickel (50) |
| Grounding Contact: | Without |

Other Properties:

| | |
|---|----------------------|
| Rows Loaded: | A, B, D, E, C |
| Feedthrough Post Length (mm [in]): | 3.71 [.146] |
| Housing Material: | Glass-Filled PBT |
| Housing Color: | Gray |
| Housing Flammability Rating: | UL 94V-0 |
| AMP Standard Option Number: | 1 |
| Contact Material: | Phosphor Bronze |
| Termination End Plating: | Tin-Lead over Nickel |
| Packaging Quantity: | 11 |

[Copyright](#) and [Privacy Statement](#)

Visit [Tyco International, Ltd.](#)

[Products](#) | [Brands](#) | [Industries](#) | [Customer Service](#) | [About](#) | [Home](#)