

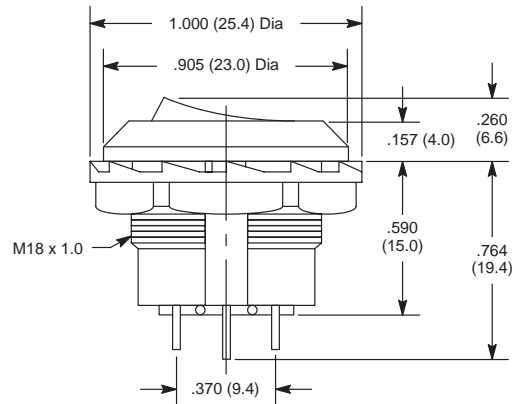
Round Hole Rocker Switches

Round Hole



NTE Type No.	Circuitry	Action			Actuator	Legend	Diag No.
54-500	SPST	ON	NONE	OFF	Nylon	Yes	S89
54-501	SPDT	ON	NONE	ON	Nylon	No	S89
54-502	DPDT	ON	NONE	ON	Nylon	No	S89

S89



Specifications

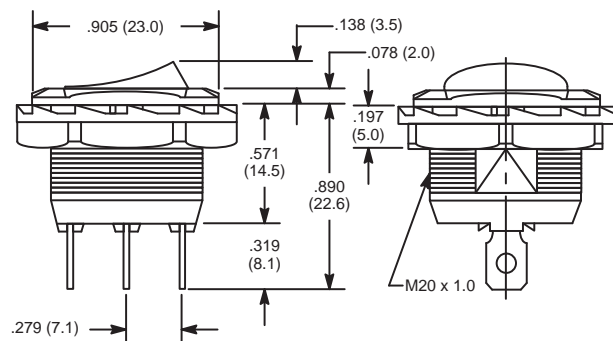
Current Rating: 10A 125VAC, 6A 250VAC
Insulation Resistance: 100 Megohms (min.) at 500VDC
Dielectric Strength: 1000V RMS (min.)
Temperature Rating: -4° to +149°F (-20° to +65°C)
Electrical Life: 6000 cycles (min.)
Mechanical Life: 100,000 cycles (min.)
Terminal Type: Solder Lug
Mounting Hole: .717 (18.2)

Round Hole



NTE Type No.	Circuitry	Action			Actuator	Legend	Diag No.
54-510	SPST	ON	NONE	OFF	Nylon	Yes	S93
54-511	SPDT	ON	OFF	ON	Nylon	No	S93
54-512	SPDT	ON	NONE	ON	Nylon	No	S93
54-543	SPST	(ON)	NONE	OFF	Nylon	Yes	S93
54-544	SPST	ON	NONE	(OFF)	Nylon	Yes	S93
54-545	SPDT	ON	NONE	(ON)	Nylon	Yes	S93
54-546	SPDT	ON	OFF	(ON)	Nylon	Yes	S93
54-548	SPDT	(ON)	OFF	(ON)	Nylon	No	S93

S93



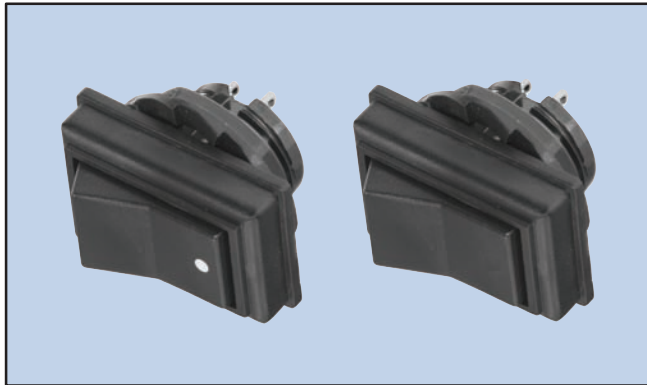
Specifications

Current Rating: 16A 125VAC, 10A 250VAC
Insulation Resistance: 100 Megohms (min.) at 500VDC
Dielectric Strength: 1500V RMS (min.)
Temperature Rating: -4° to +149°F (-20° to +65°C)
Electrical Life: 6000 cycles (min.)
Mechanical Life: 100,000 cycles (min.)
Terminal Type: .185" Tab Q.C.
Mounting Hole: .795 (20.2)

SPECIAL NOTE: () = Momentary Function

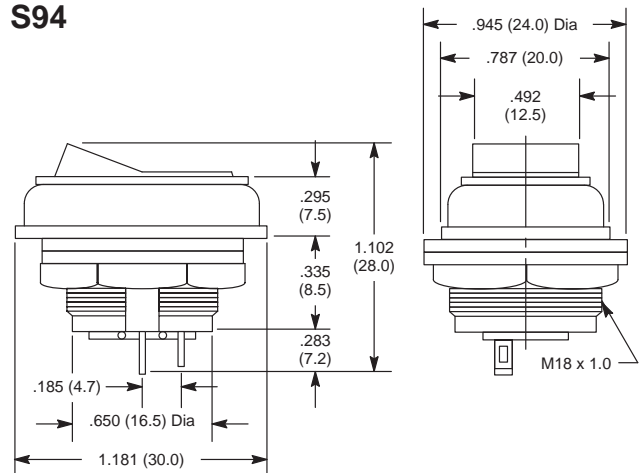
Round Hole Rocker Switches

Round Hole



NTE Type No.	Circuitry	Action			Actuator	Legend	Diag No.
54-514	SPST	ON	NONE	OFF	Nylon	Yes	S94
54-515	SPDT	ON	NONE	ON	Nylon	No	S94
54-516	DPDT	ON	NONE	ON	Nylon	No	S94

S94



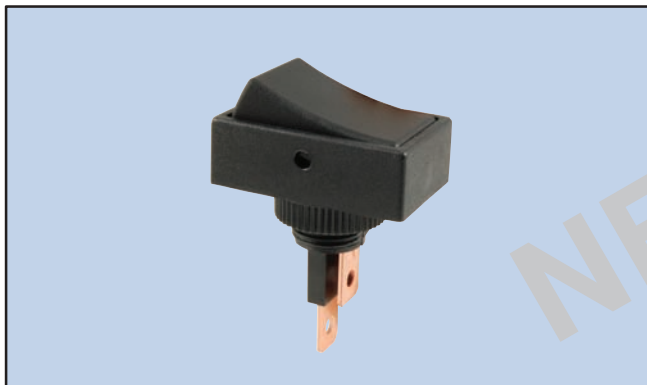
Specifications

Current Rating: 6A 125VAC, 3A 250VAC
Insulation Resistance: 100 Megohms (min.) at 500VDC
Dielectric Strength: 1500V RMS (min.)
Temperature Rating: -4° to +149°F (-20° to +65°C)
Electrical Life: 6,000 cycles (min.)
Mechanical Life: 100,000 cycles (min.)
Terminal Type: Solder Lug
Mounting Hole: .717 (18.2)

Round Hole

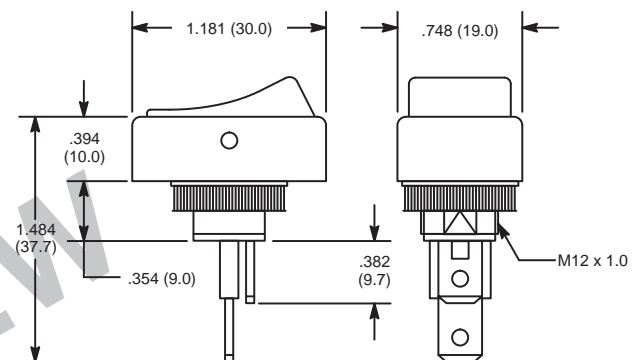
Features

- Illuminated Types Available on Page 180



NTE Type No.	Circuitry	Action			Actuator	Legend	Diag No.
54-709	SPST	ON	NONE	OFF	Nylon	No	S139

S139



Specifications

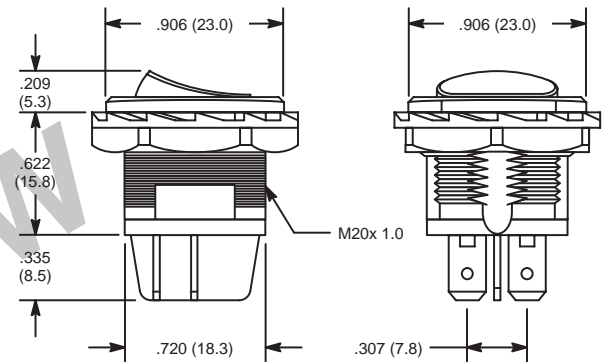
Current Rating: 30A 12VDC, 15A 24VDC, 1/4 HP 125V to 250V
Insulation Resistance: 100 Megohms (min.) at 500VDC
Dielectric Strength: 1500V RMS (min.)
Temperature Rating: -4° to +149°F (-20° to +65°C)
Electrical Life: 6,000 cycles
Mechanical Life: 10,000 cycles
Terminal Type: .250" Tab Q.C.
Mounting Hole: .480 (12.2)

Round Hole Rocker Switches

Round Hole, Square Bezel



S140



NTE Type No.	Circuitry	Action			Actuator	Legend	Diag No.
54-710	DPST	ON	NONE	OFF	Nylon	No	S140

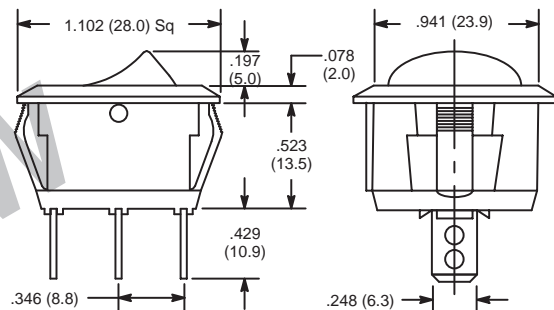
Specifications

Current Rating: 10A 250VAC, 16A 125VAC
Insulation Resistance: 100 Megohms (min.) at 500VDC
Dielectric Strength: 1500V RMS (min.)
Temperature Rating: -13° to +185°F (-25° to +85°C)
Electrical Life: 6,000 cycles
Mechanical Life: 10,000 cycles
Terminal Type: .187" Tab Q.C.
Mounting Hole: .795 (20.2)

Round Hole, Square Bezel



S144



NTE Type No.	Circuitry	Action			Actuator	Legend	Diag No.
54-733	SPST	ON	NONE	OFF	PC	Yes	S144

Specifications

Current Rating: 25A 12VDC
Insulation Resistance: 100 Megohms (min.) at 500VDC
Dielectric Strength: 1500V RMS (min.)
Temperature Rating: -4° to +149°F (-20° to +65°C)
Electrical Life: 6,000 cycles
Mechanical Life: 10,000 cycles
Terminal Type: .250" Tab Q.C.
Mounting Hole: .945 (24.0)

Round Hole Rocker Switches

Snap-In Round Hole



Features

- Waterproof Types Available on Page 172



NTE Type No.	Circuitry	Action			Actuator	Legend	Diag No.
54-503	SPST	ON	NONE	OFF	Nylon	Yes	S90
54-504	SPDT	ON	OFF	ON	Nylon	No	S90
54-505	SPDT	ON	NONE	ON	Nylon	No	S90
54-520	SPST	(ON)	NONE	OFF	Nylon	Yes	S90
54-521	SPST	ON	NONE	(OFF)	Nylon	Yes	S90
54-522	SPDT	ON	NONE	(ON)	Nylon	Yes	S90

SPECIAL NOTE: () = Momentary Function

S90

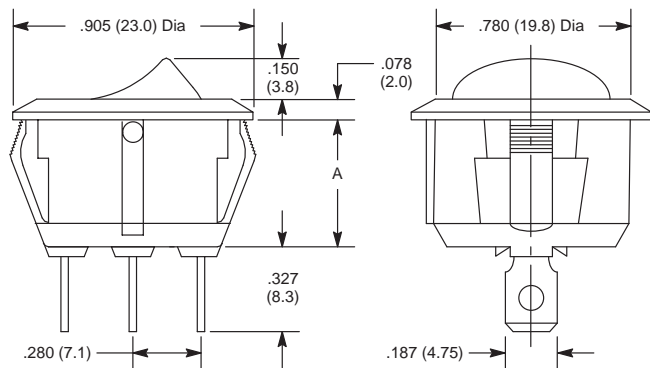


Table 1.

Device Type	A
All Devices	.472 (12.0)
54-504	.570 (14.5)

Specifications

Current Rating: 16A 125VAC, 10A 250VAC
Insulation Resistance: 100 Megohms (min.) at 500VDC
Dielectric Strength: 1500V RMS (min.)
Temperature Rating: -4° to +149°F (-20° to +65°C)
Electrical Life: 6000 cycles (min.)
Mechanical Life: 100,000 cycles (min.)
Terminal Type: .187" Tab Q.C.
Mounting Hole: .795 (20.2)

Round Hole, Square Bezel

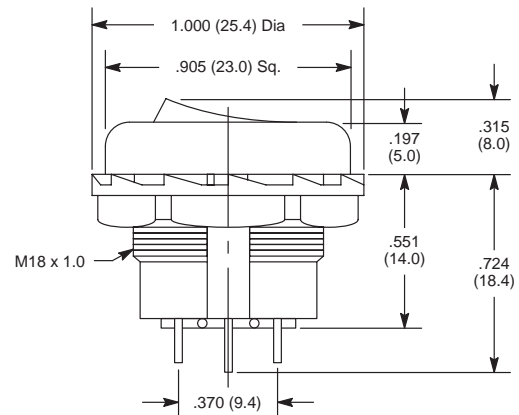
Features

- Single & Double Pole Types



NTE Type No.	Circuitry	Action			Actuator	Legend	Diag No.
54-507	SPST	ON	NONE	OFF	Red Nylon	Yes	S92
54-508	SPDT	ON	NONE	ON	Red Nylon	No	S92
54-509	DPDT	ON	NONE	ON	Red Nylon	No	S92

S92



Specifications

Current Rating: 10A 125VAC, 6A 250VAC
Insulation Resistance: 100 Megohms (min.) at 500VDC
Dielectric Strength: 1500V RMS (min.)
Temperature Rating: -4° to +149°F (-20° to +65°C)
Electrical Life: 6000 cycles (min.)
Mechanical Life: 100,000 cycles (min.)
Terminal Type: Solder Lug
Mounting Hole: .717 (18.2)