

HF MAGICSTRAP® Data Sheet

LXMS33HCNL-167

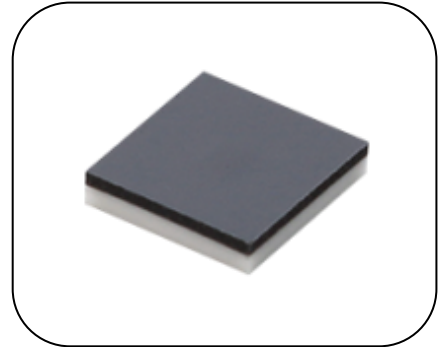


1, General Descriptions

This product is NFC Forum type2 / ISO14443 TypeA compliant tag which includes embedding antenna.

[Features]

- Ultra miniature package (3.2 x 3.2 x 0.75mmMax)
- RF antenna is embedded within substrate
- Robust package design
- NFC forum type2 compliant
- Using NXP NTAG212, 1024bits user memory
- Read range: 15mm (200mW output power)
- Can be attached to a wide range of objects
- Operating temperature -25°C ~ +70°C
- 100% green material for RoHS compliance



2, Block Diagram

Figure.1 shows block diagram of this product.

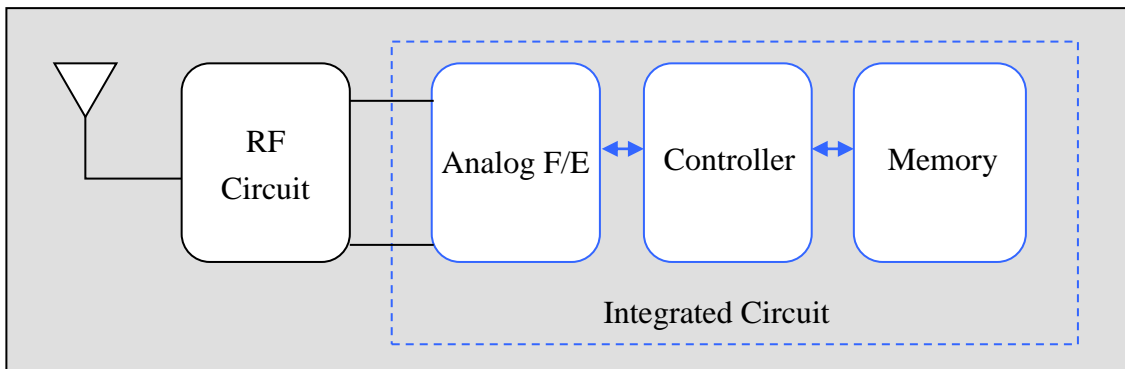


Fig1. Block diagram

All Rights Reserved, Copyright© Murata Manufacturing Co., Ltd.
< Specification may be changed by Murata without notice >

3, Dimension

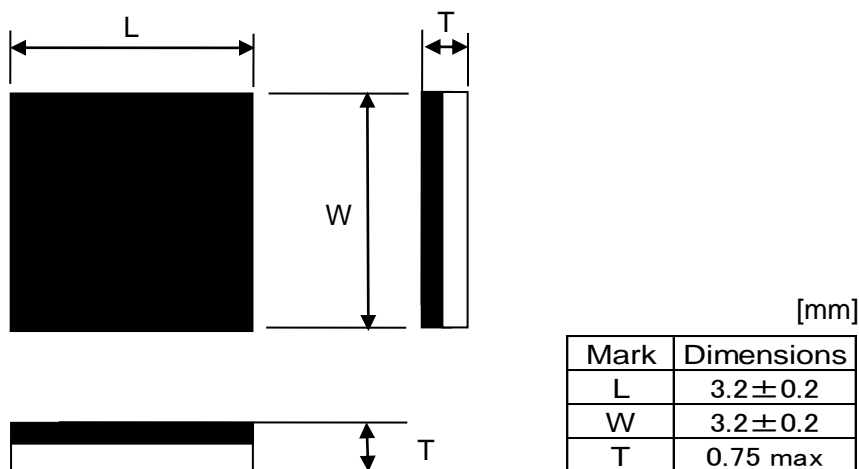


Fig.2 Package Dimension

4, Electrical Performance

15mm of Read range(Reference only)

Reader/Writer : LXRFZZHAAA-026 (muRata manufactured)

Output Power of Reader/Writer : 200mW

5, Packing Information

This product is supplied by tape and reel package

5-1. Quantity per reel

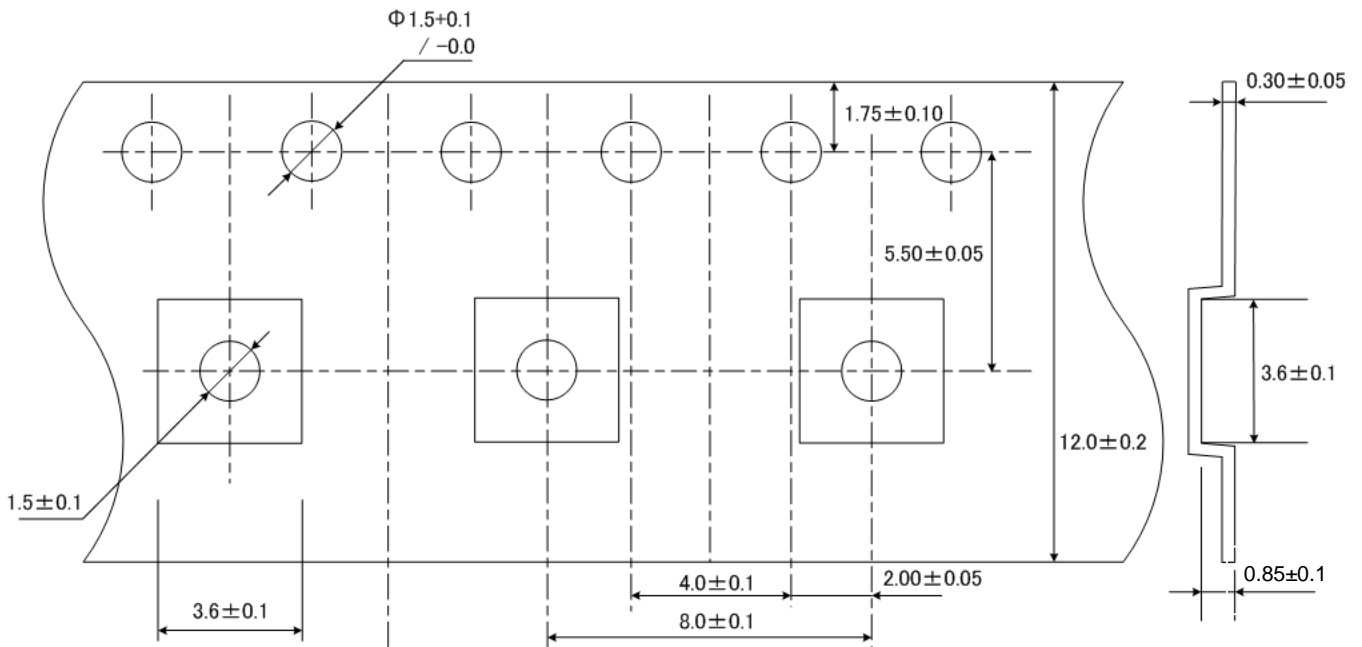
6,000pcs

5-2. Minimum order quantity

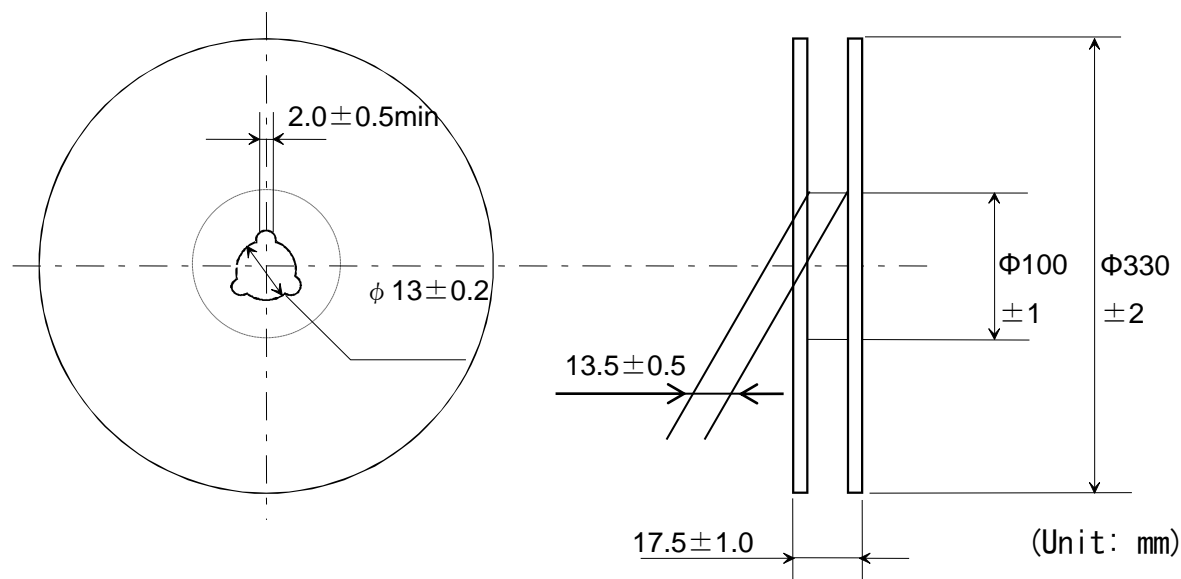
6,000pcs

5-3. Tape and Reel Packing

(1) Dimensions of Tape (Plastic tape)



(2) Dimensions of Reel



6. Contact window

URL : <http://www.murata.com/products/rfid/index.html>

" MAGICSTRAP® " is the registered trademark of Murata Manufacturing. Co., Ltd. in Japan.

For any inquiries/queries, please feel free to contact us.