

**FEATURES**

- Extremely low ESR
- 10 year service life
- RoHS compliant
- Halogen Free
- UL recognized



**APPLICATIONS**

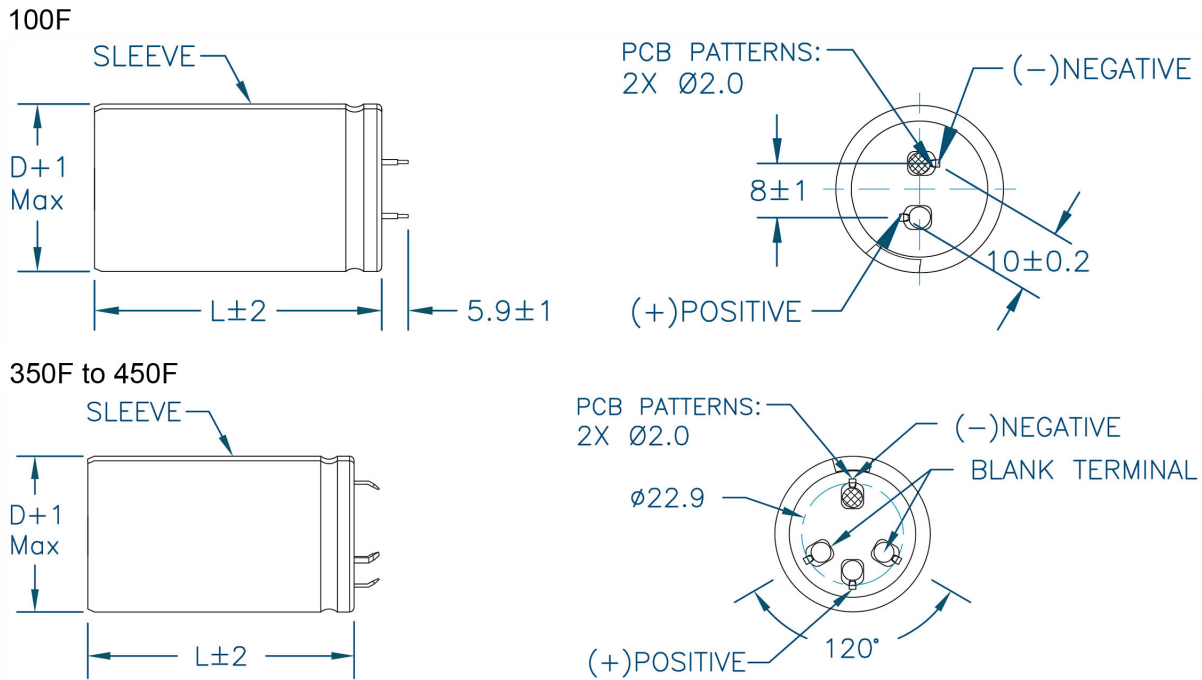
- Peak power handling
- Industrial automation
- UPS/voltage hold up



**GENERAL SPECIFICATIONS**

Item	Performance
Operating temperature	-40°C to +65°C @ 3V -40°C to +85°C @ 2.5V
Storage temperature	-40°C to +70°C
Capacitance	450F
Rated voltage	3 VDC / 2.5 VDC
Surge voltage	3.2 VDC
Temperature characteristics	Capacitance change: Within ±5% of initial measured value at +25°C (-40°C to +65°C) Internal resistance: Within ±50% of initial measured value at +25°C (at -40°C)
Endurance (At rated voltage & max. operating temp)	After 1500 hours: Capacitance change: Within 20% of initial rated value Internal resistance: Within 2 times of initial specified value
Projected Load life (At rated voltage & 25°C)	10 years: Capacitance change: Within 20% of initial rated value Internal resistance: Within 2 times of initial specified value
Projected cycle life (From rated voltage to 1/2 rated voltage at 25°C)	500,000 cycles: Capacitance change: Within 20% of initial rated value Internal resistance: Within 2 times of initial specified value
Shelf life	After 2 years at 25°C without load, the capacitor shall meet the specified endurance limits.

**DIMENSIONS**



**STANDARD PRODUCTS**

Part Number	Nom. Cap. (F)	GMV (F)*	ESR DC (mΩ)	ESR AC (mΩ)	Leakage Current (mA) (72 hrs @ 25C)	Dimensions (mm)		Rated Current (A)	Weight/Unit (grams)
						D	L		
TPLH-3R0/450SS35X71	450	450	3.6	2.8	1	35	71	287	88

\*NOTE: GMV = Guaranteed Minimum Value.