

M62419FP

Sound Controller for Car Stereo

REJ03F0207-0200

Rev.2.00

Sep 14, 2006

Features

- 4-channel source selector with gain setting buffer amplifier by the external resistances
- Volume (balance), loudness, tone (bass and treble) and fader control by serial data from MCU
- Input maximum voltage level; 2.8 Vrms

Application

Car audio, Mini stereo, etc

Recommended Operating Conditions

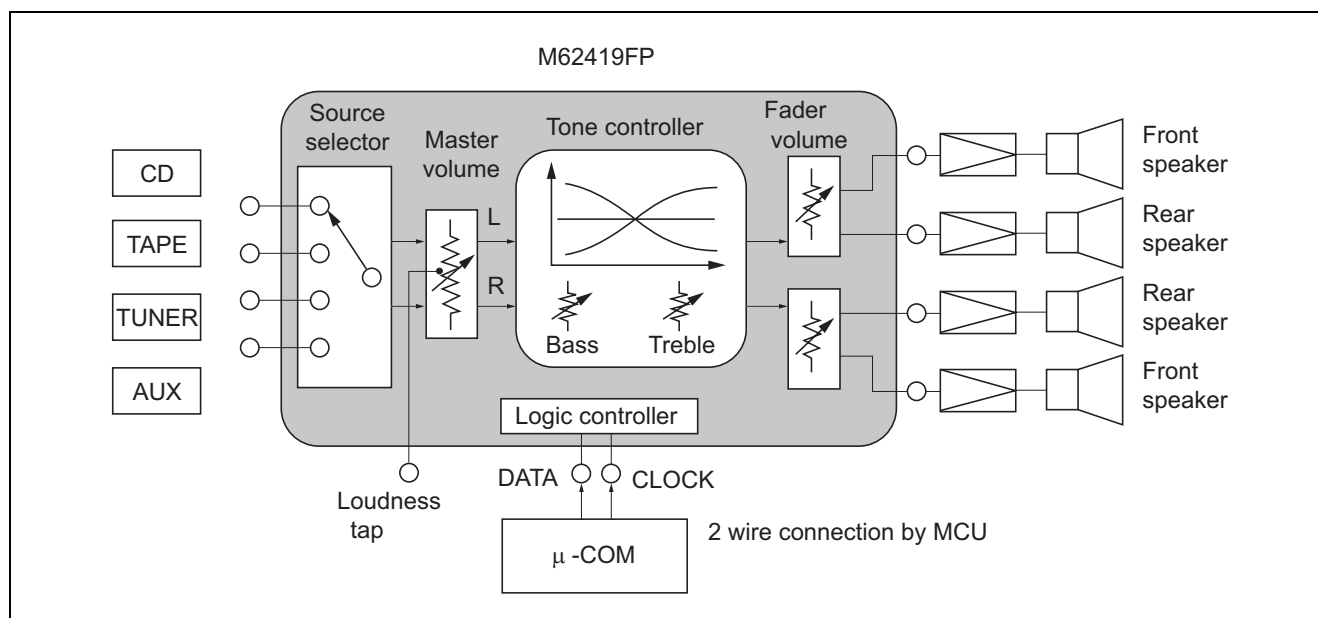
Supply voltage range: $V_{CC} = 6$ to 9 V

$V_{DD} = 4$ to 6 V

Rated supply voltage: $V_{CC} = 8$ V

$V_{DD} = 5$ V

System Block Diagram



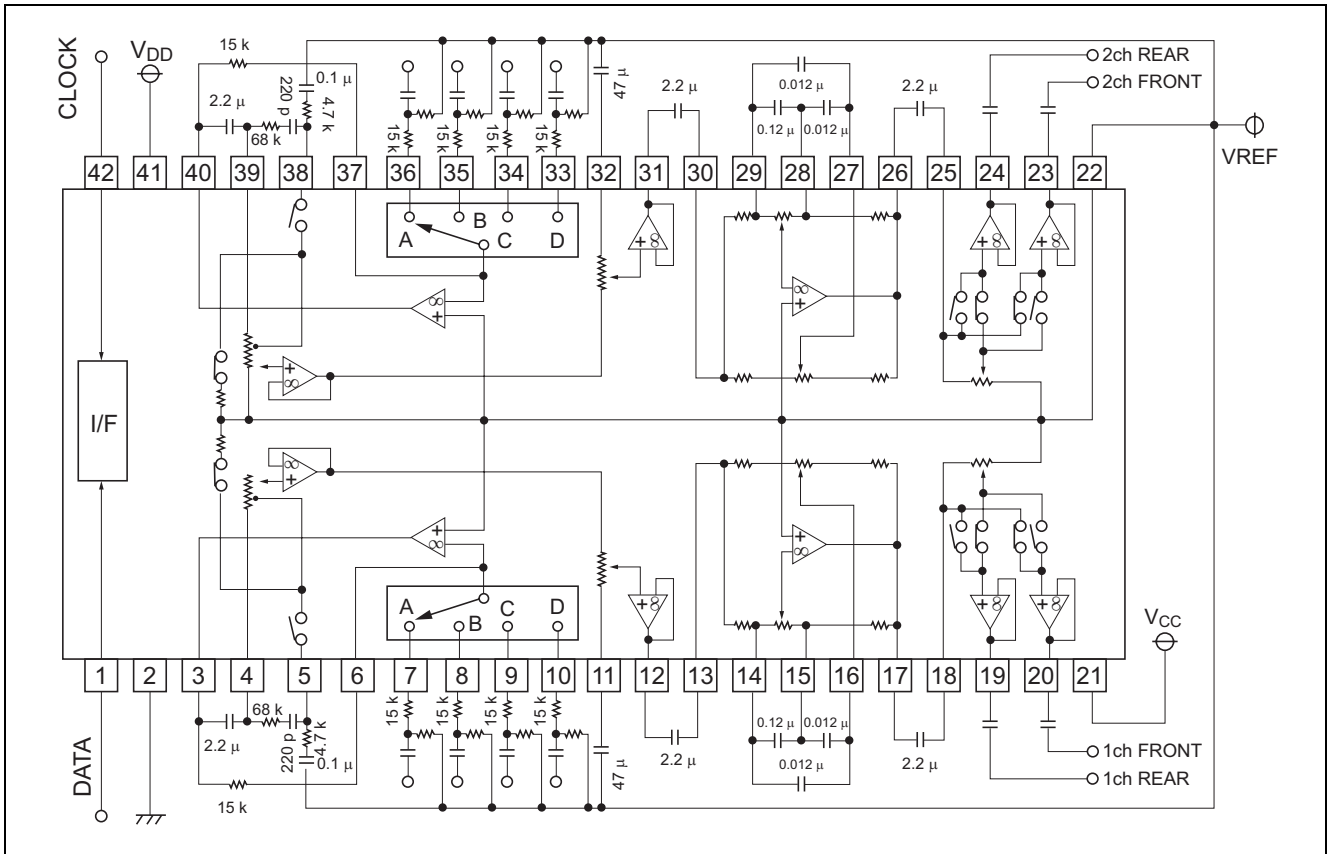
Absolute Maximum Ratings

Item	Symbol	Ratings	Unit
Supply voltage	V_{CC}, V_{DD}	10, 7	V
Power dissipation	P_d	990	mW
Operating temperature	T_{opr}	-30 to +85	°C
Storage temperature	T_{stg}	-40 to +125	°C

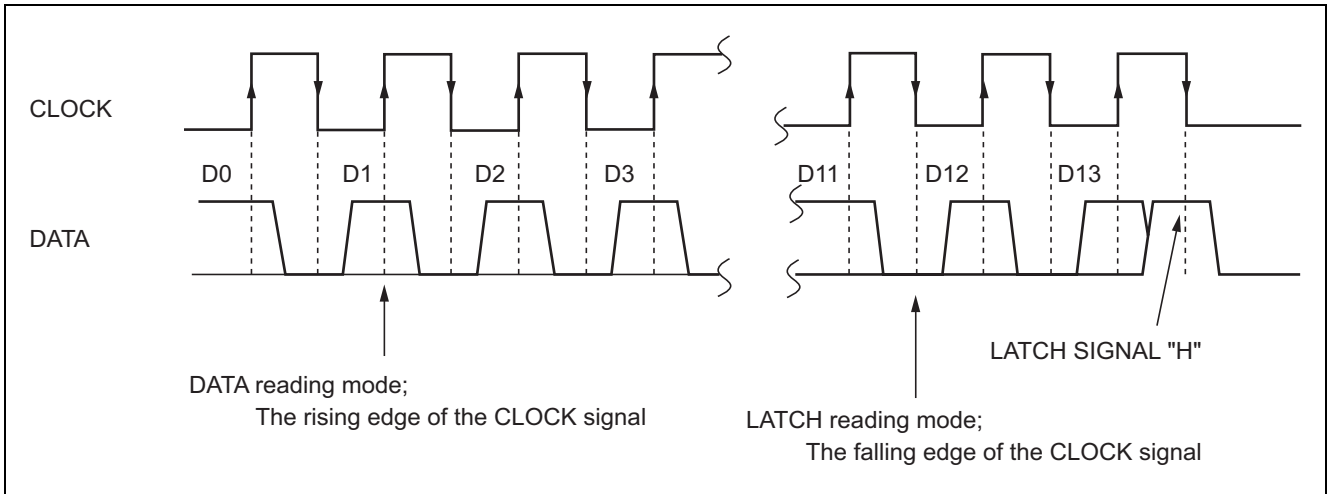
Electrical Characteristics

Item	Symbol	Limits			Unit	Conditions
		Min	Typ	Max		
Circuit current	I_{CC}	—	22	40	mA	
Att maximum	$A_{TT} (VOL)$	—	-90	-80	dB	$A_{TT} (VOL) = -\infty$
Att error	$\Delta A_{TT} (VOL)$	-2.0	0	2.0	dB	$A_{TT} (VOL) = 0$
Maximum input voltage	V_{IM}	2.0	2.8	—	V _{rms}	THD = 1 %
Bass boost	G (Bass) B	9	12	15	dB	f = 100 Hz
Bass cut	G (Bass) C	-15	-12	-9	dB	f = 100 Hz
Treble boost	G (Tre) B	9	12	15	dB	f = 10 kHz
Treble cut	G (Tre) C	-15	-12	-9	dB	f = 10 kHz
Att maximum	$A_{TT} (FED)$	—	-80	-74	dB	$A_{TT} (FED) = -\infty$
Maximum output voltage	V_{OM}	1.8	2.2	—	V _{rms}	THD = 1 %
Output noise voltage	V_{NO1}	—	9	18	μ V _{rms}	$A_{TT} (VOL) = 0, A_{TT} (FED) = 0$ R _g = 0, DIN-AUDIO
	V_{NO2}	—	5.5	11		$A_{TT} (VOL) = -\infty, A_{TT} (FED) = -\infty$ R _g = 0, DIN-AUDIO
Total harmonic distortion	THD	—	0.003	0.05	%	f = 1 kHz, $V_o = 0.5 V_{rms}$, Loud = OFF, $A_{TT} (VOL) = 0, A_{TT} (FED) = 0$
Channel separation	CS	—	-90	-80	dB	f = 1 kHz

Application Example



Relationship between Data and Clock



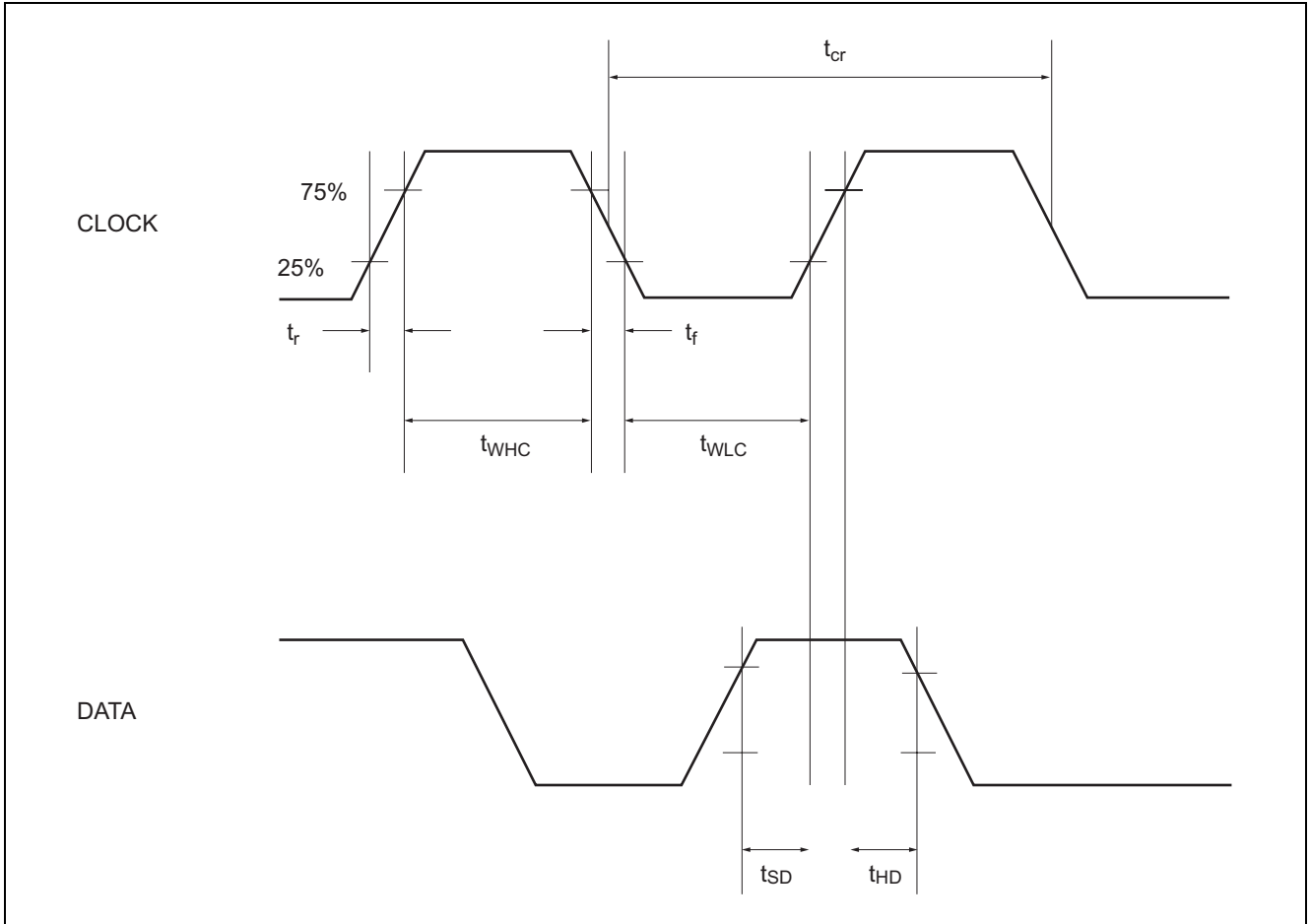
Digital Circuit DC Characteristics

Item	Symbol	Limits			Unit	Test Conditions	
		Min	Typ	Max			
"L" level input voltage	V_{IL}	0	~	$0.2 V_{DD}$	V	DATA, CLOCK pins	
"H" level input voltage	V_{IH}	$0.8 V_{DD}$	~	V_{DD}			
"L" level input current	I_{IL}	-10	—	10	μA	$V_i = 0$	DATA, CLOCK pins
"H" level input current	I_{IH}	—	—	10		$V_i = V_{DD}$	

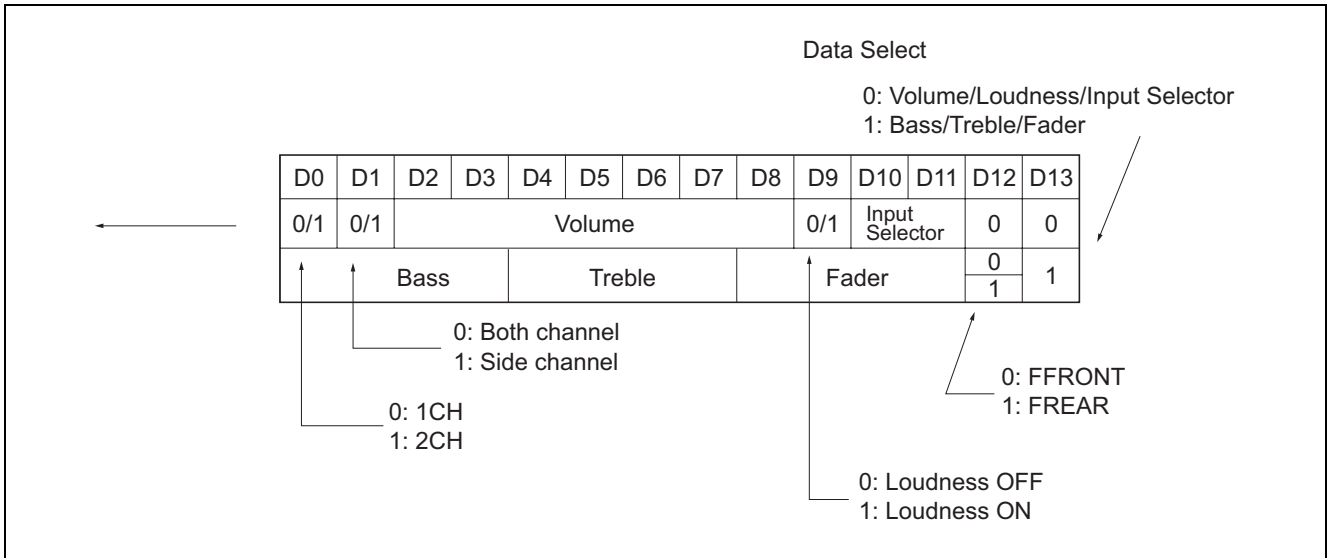
Digital Circuit AC Characteristics

Item	Symbol	Limits			Unit
		Min	Typ	Max	
CLOCK cycle time	t_{cr}	4	—	—	μS
CLOCK pulse width ("H" level)	t_{WHC}	1.6	—	—	
CLOCK pulse width ("L" level)	t_{WLC}	1.6	—	—	
CLOCK rise time	t_r	—	—	0.4	
CLOCK fall time	t_f	—	—	0.4	
DATA setup time	t_{SD}	0.8	—	—	
DATA hold time	t_{HD}	0.8	—	—	

Clock Data Timing



Data Format



Volume Code

ATT1	D2	D3	D4	D5	D6
0 dB	H	L	H	L	H
-4 dB	L	L	H	L	H
-8 dB	H	H	L	L	H
-12 dB	L	H	L	L	H
-16 dB	H	L	L	L	H
-20 dB	L	L	L	L	H
-24 dB	H	H	H	H	L
-28 dB	L	H	H	H	L
-32 dB	H	L	H	H	L
-36 dB	L	L	H	H	L
-40 dB	H	H	L	H	L
-44 dB	L	H	L	H	L
-48 dB	H	L	L	H	L
-52 dB	L	L	L	H	L
-56 dB	H	H	H	L	L
-60 dB	L	H	H	L	L
-64 dB	H	L	H	L	L
-68 dB	L	L	H	L	L
-72 dB	H	H	L	L	L
-76 dB	L	H	L	L	L
-80 dB	H	L	L	L	L
-∞	L	L	L	L	L

ATT2	D7	D8
0 dB	H	H
-1 dB	L	H
-2 dB	H	L
-3 dB	L	L

Tone Code

Bass	D0	D1	D2	D3
Treble	D4	D5	D6	D7
12 dB	H	H	H	H
10 dB	L	H	H	H
8 dB	H	L	H	H
6 dB	L	L	H	H
4 dB	H	H	L	H
2 dB	L	H	L	H
0 dB	H	L	L	H
-2 dB	L	L	L	H
-4 dB	H	H	H	L
-6 dB	L	H	H	L
-8 dB	H	L	H	L
-10 dB	L	L	H	L
-12 dB	H	H	L	L

Fader Code

Fader	D8	D9	D10	D11
0 dB	H	H	H	H
-1 dB	L	H	H	H
-2 dB	H	L	H	H
-3 dB	L	L	H	H
-4 dB	H	H	L	H
-6 dB	L	H	L	H
-8 dB	H	L	L	H
-10 dB	L	L	L	H
-12 dB	H	H	H	L
-14 dB	L	H	H	L
-16 dB	H	L	H	L
-20 dB	L	L	H	L
-30 dB	H	H	L	L
-45 dB	L	H	L	L
-60 dB	H	L	L	L
$-\infty$	L	L	L	L

Input Selector Code

Input Selector	D10	D11
A CH	H	H
B CH	L	H
C CH	H	L
D CH	L	L

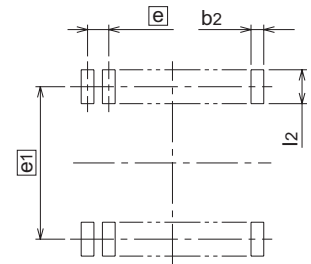
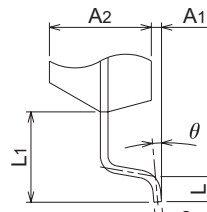
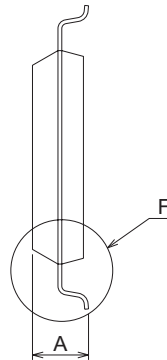
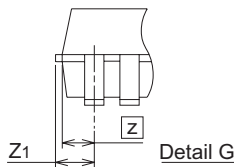
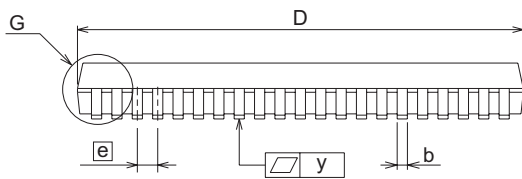
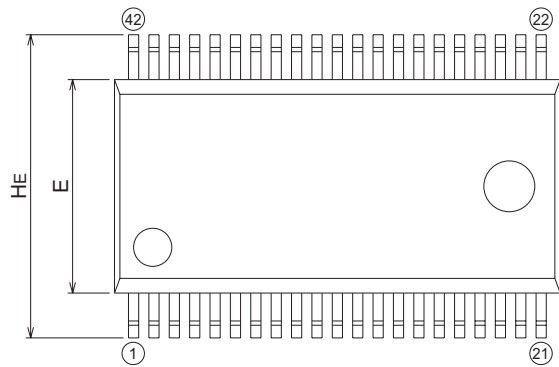
Package Dimensions

42P2R-A



Plastic 42pin 450mil SSOP

EIAJ Package Code	JEDEC Code	Weight(g)	Lead Material
SSOP42-P-450-0.80	—	0.63	Alloy 42/Cu Alloy



Recommended Mount Pad

Symbol	Dimension in Millimeters		
	Min	Nom	Max
A	—	—	2.4
A1	0.05	—	—
A2	—	2.0	—
b	0.35	0.4	0.5
c	0.13	0.15	0.2
D	17.3	17.5	17.7
E	8.2	8.4	8.6
e	—	0.8	—
HE	11.63	11.93	12.23
L	0.3	0.5	0.7
L1	—	1.765	—
Z	—	0.75	—
Z1	—	—	0.9
y	—	—	0.15
θ	0°	—	10°
b2	—	0.5	—
e1	—	11.43	—
l2	1.27	—	—

Keep safety first in your circuit designs!

1. Renesas Technology Corp. puts the maximum effort into making semiconductor products better and more reliable, but there is always the possibility that trouble may occur with them. Trouble with semiconductors may lead to personal injury, fire or property damage.
Remember to give due consideration to safety when making your circuit designs, with appropriate measures such as (i) placement of substitutive, auxiliary circuits, (ii) use of nonflammable material or (iii) prevention against any malfunction or mishap.

Notes regarding these materials

1. These materials are intended as a reference to assist our customers in the selection of the Renesas Technology Corp. product best suited to the customer's application; they do not convey any license under any intellectual property rights, or any other rights, belonging to Renesas Technology Corp. or a third party.
2. Renesas Technology Corp. assumes no responsibility for any damage, or infringement of any third-party's rights, originating in the use of any product data, diagrams, charts, programs, algorithms, or circuit application examples contained in these materials.
3. All information contained in these materials, including product data, diagrams, charts, programs and algorithms represents information on products at the time of publication of these materials, and are subject to change by Renesas Technology Corp. without notice due to product improvements or other reasons. It is therefore recommended that customers contact Renesas Technology Corp. or an authorized Renesas Technology Corp. product distributor for the latest product information before purchasing a product listed herein.
The information described here may contain technical inaccuracies or typographical errors.
Renesas Technology Corp. assumes no responsibility for any damage, liability, or other loss rising from these inaccuracies or errors.
Please also pay attention to information published by Renesas Technology Corp. by various means, including the Renesas Technology Corp. Semiconductor home page (<http://www.renesas.com>).
4. When using any or all of the information contained in these materials, including product data, diagrams, charts, programs, and algorithms, please be sure to evaluate all information as a total system before making a final decision on the applicability of the information and products. Renesas Technology Corp. assumes no responsibility for any damage, liability or other loss resulting from the information contained herein.
5. Renesas Technology Corp. semiconductors are not designed or manufactured for use in a device or system that is used under circumstances in which human life is potentially at stake. Please contact Renesas Technology Corp. or an authorized Renesas Technology Corp. product distributor when considering the use of a product contained herein for any specific purposes, such as apparatus or systems for transportation, vehicular, medical, aerospace, nuclear, or undersea repeater use.
6. The prior written approval of Renesas Technology Corp. is necessary to reprint or reproduce in whole or in part these materials.
7. If these products or technologies are subject to the Japanese export control restrictions, they must be exported under a license from the Japanese government and cannot be imported into a country other than the approved destination.
Any diversion or reexport contrary to the export control laws and regulations of Japan and/or the country of destination is prohibited.
8. Please contact Renesas Technology Corp. for further details on these materials or the products contained therein.



RENESAS SALES OFFICES

<http://www.renesas.com>

Refer to "<http://www.renesas.com/en/network>" for the latest and detailed information.

Renesas Technology America, Inc.

450 Holger Way, San Jose, CA 95134-1368, U.S.A
Tel: <1> (408) 382-7500, Fax: <1> (408) 382-7501

Renesas Technology Europe Limited

Dukes Meadow, Millboard Road, Bourne End, Buckinghamshire, SL8 5FH, U.K.
Tel: <44> (1628) 585-100, Fax: <44> (1628) 585-900

Renesas Technology (Shanghai) Co., Ltd.

Unit 204, 205, AZIACenter, No.1233 Lujiazui Ring Rd, Pudong District, Shanghai, China 200120
Tel: <86> (21) 5877-1818, Fax: <86> (21) 6887-7898

Renesas Technology Hong Kong Ltd.

7th Floor, North Tower, World Finance Centre, Harbour City, 1 Canton Road, Tsimshatsui, Kowloon, Hong Kong
Tel: <852> 2265-6688, Fax: <852> 2730-6071

Renesas Technology Taiwan Co., Ltd.

10th Floor, No.99, Fushing North Road, Taipei, Taiwan
Tel: <886> (2) 2715-2888, Fax: <886> (2) 2713-2999

Renesas Technology Singapore Pte. Ltd.

1 Harbour Front Avenue, #06-10, Keppel Bay Tower, Singapore 098632
Tel: <65> 6213-0200, Fax: <65> 6278-8001

Renesas Technology Korea Co., Ltd.

Kukje Center Bldg. 18th Fl., 191, 2-ka, Hangang-ro, Yongsan-ku, Seoul 140-702, Korea
Tel: <82> (2) 796-3115, Fax: <82> (2) 796-2145

Renesas Technology Malaysia Sdn. Bhd

Unit 906, Block B, Menara Amcorp, Amcorp Trade Centre, No.18, Jalan Persiaran Barat, 46050 Petaling Jaya, Selangor Darul Ehsan, Malaysia
Tel: <603> 7955-9390, Fax: <603> 7955-9510