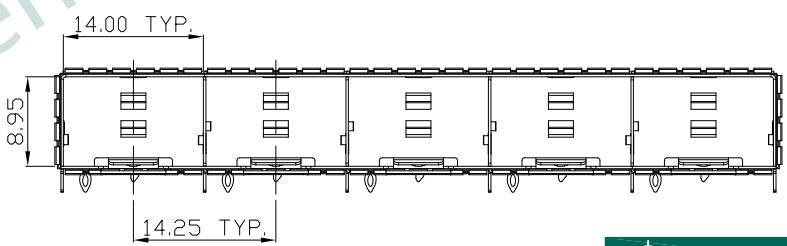
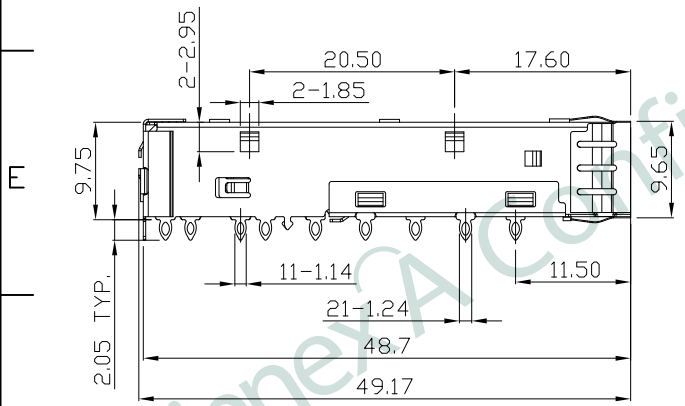
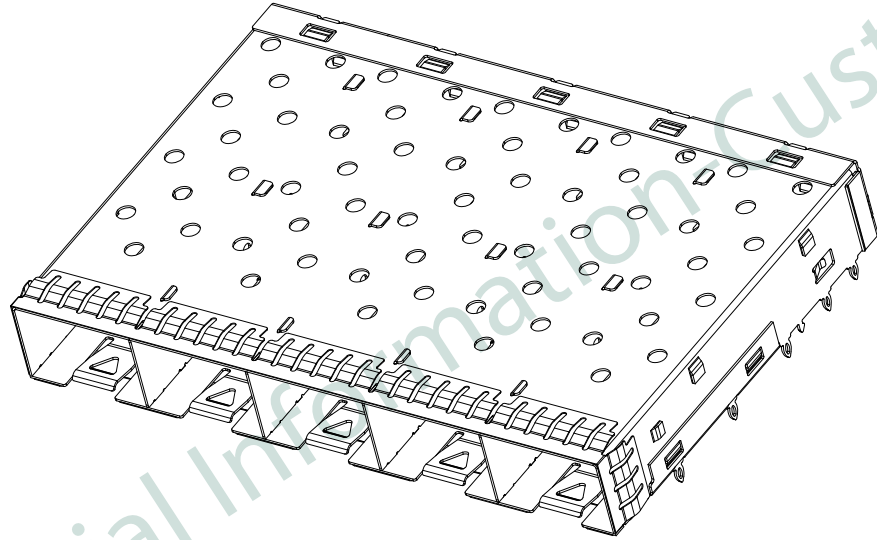
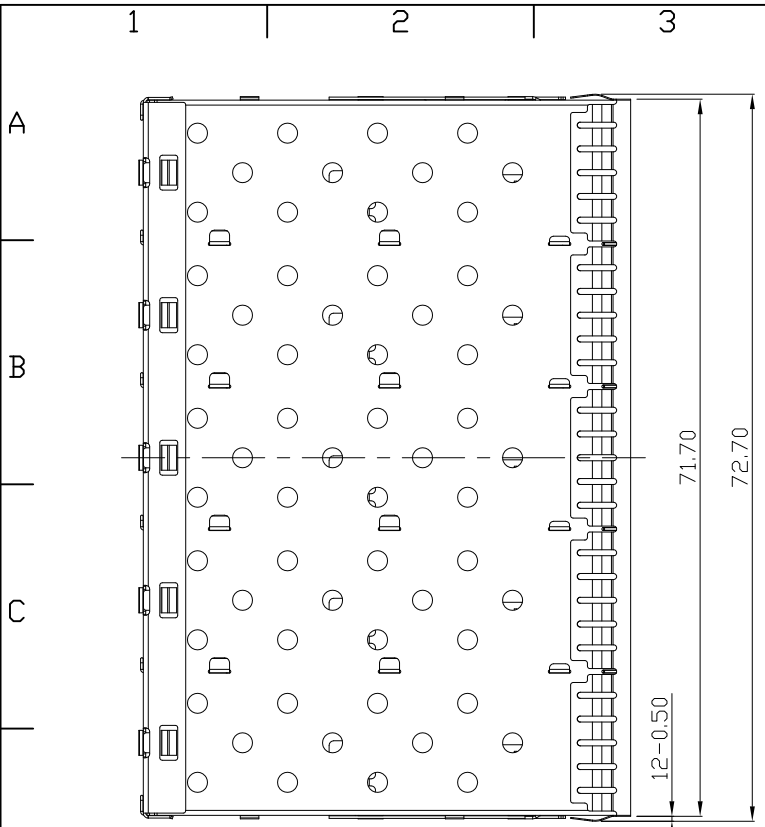


REV.	DATE	DESCRIPTION
01	Sep. 12, '18	1st RELEASE

NOTES:  
 1. SHELL MATERIAL: T=0.25mm COPPER ALLOY  
 2. UNSPECIFIED TOLERANCE: .XXX ±0.15  
   .XX ±0.25

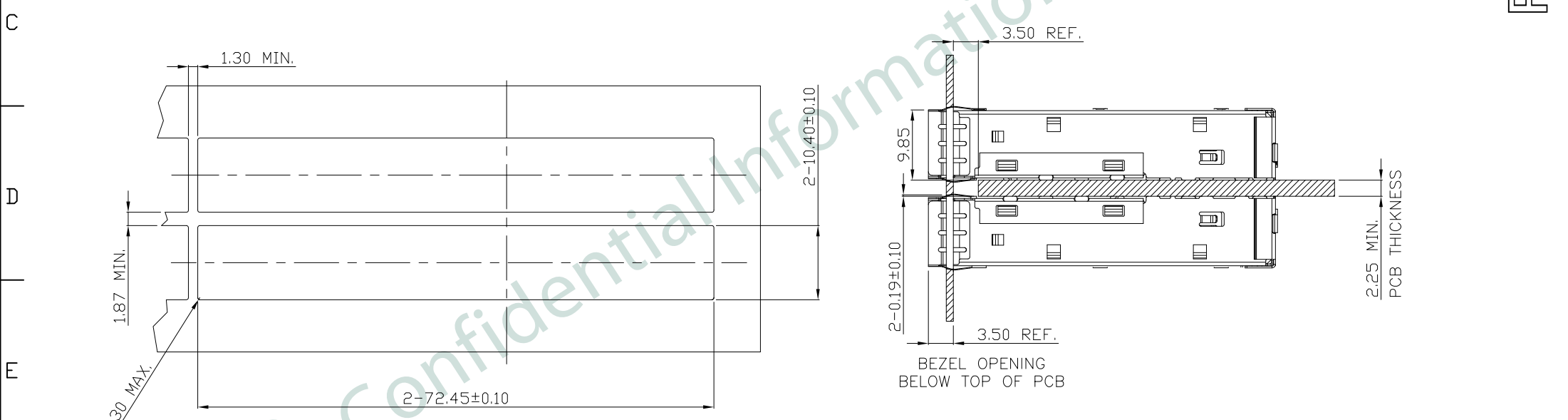
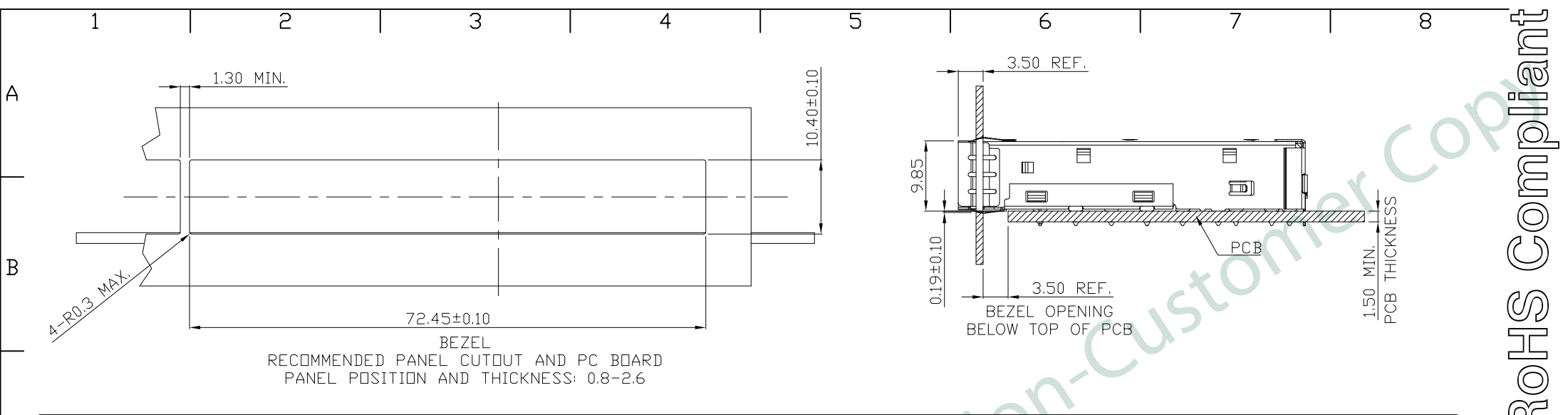



KSFP-A-PPFA-0501

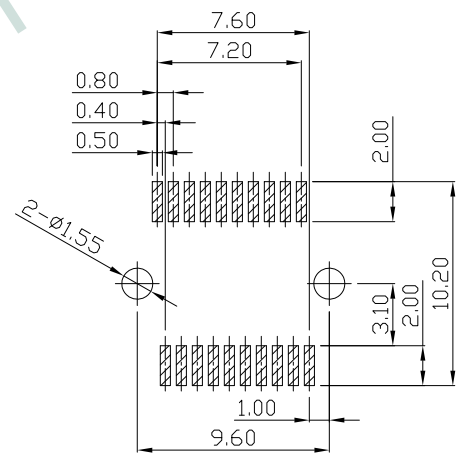
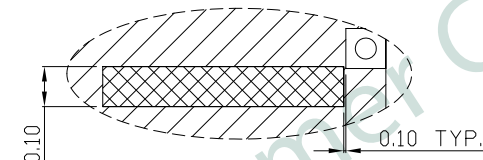
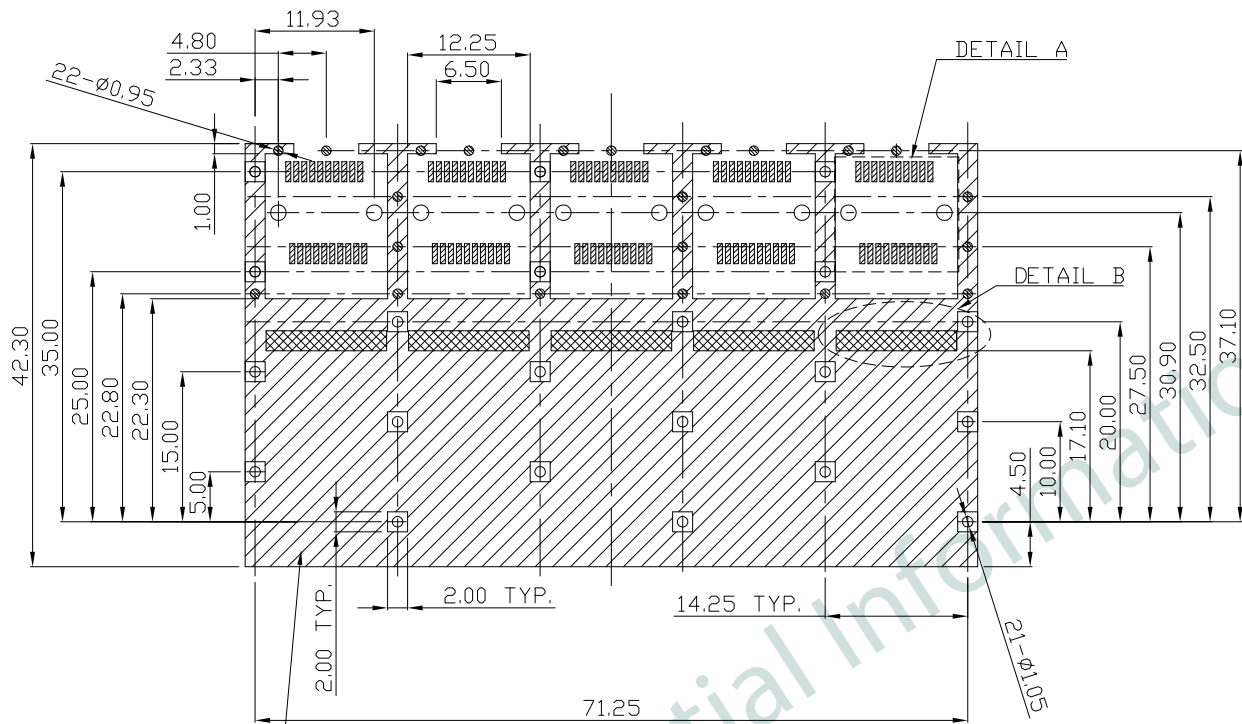
PRODUCT: A: CAGE  
 CATEGORY: P: SFP+  
 TERMINAL TYPE: PF: PRESS FIT  
 EMI TYPE: A: EMI TAB

SERIAL NUMBER  
 OPTION: 0: W/D LIGHT PIPE  
 NUMBER OF PORT

PART NO		KSFP-A-PPFA-0501		
TITLE	SFP+ 1X5 CAGE, PRESS FIT TYPE, SPRING			
REV : 01				
UNIT	DRAWN	CHKD	DATE	SHEET
mm[inch]	CINDY	VINCENT	Sep. 12, '18	1 of 4



 PART NO		KSFP-A-PPFA-0501		
TITLE	SFP+ 1X5 CAGE, PRESS FIT TYPE, SPRING			
REV : 01				
UNIT	DRAWN	CHKD	DATE	SHEET
mm[inch]	CINDY	VINCENT	Sep. 12, '18	2 of 4



CROSS-HATCHED AREA DENOTES COMPONENT AND TRACE KEEP-OUT

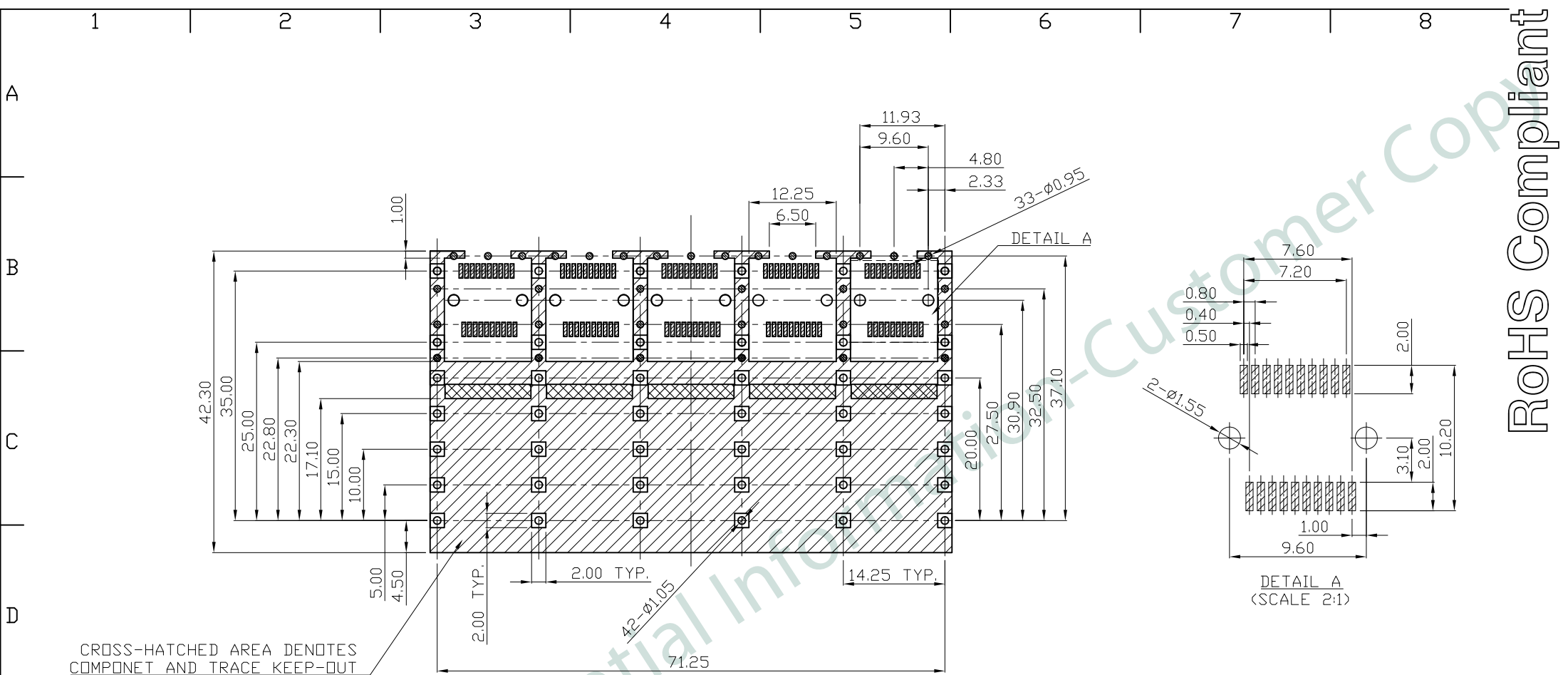
RECOMMENDED PCB LAYOUT (COMPONENT SIDE)

RECOMMENDED MINIMUM PCB THICKNESS: 1.50mm  
(ALL TOLERANCES ARE ±0.05)

☐ • ROUND HOLE IS THROUGH HOLE

RECOMMENDED PCB CONFIGURATION WITH KEEP-OUT AREAS SINGLE SIDED APPLICATIONS

PART NO		KSFP-A-PPFA-0501		
TITLE	SFP+ 1X5 CAGE, PRESS FIT TYPE, SPRING			
REV : 01				
UNIT	DRAWN	CHKD	DATE	SHEET
mm[inch]	CINDY	VINCENT	Sep. 12, '18	3 of 4



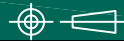
CROSS-HATCHED AREA DENOTES COMPONENT AND TRACE KEEP-OUT

RECOMMENDED PCB LAYOUT (COMPONENT SIDE)

RECOMMENDED MINIMUM PCB THICKNESS: 2.25mm  
(ALL TOLERANCES ARE ±0.05)

☐ • ROUND HOLE IS THROUGH HOLE

RECOMMENDED PCB CONFIGURATION WITH KEEP-OUT AREAS BELLY TO BELLY APPLICATIONS

 PART NO		KSFP-A-PPFA-0501		
TITLE		SFP+ 1X5 CAGE, PRESS FIT TYPE, SPRING		
REV : 01				
UNIT	DRAWN	CHKD	DATE	SHEET
mm[inch]	CINDY	VINCENT	Sep. 12, '18	4 of 4