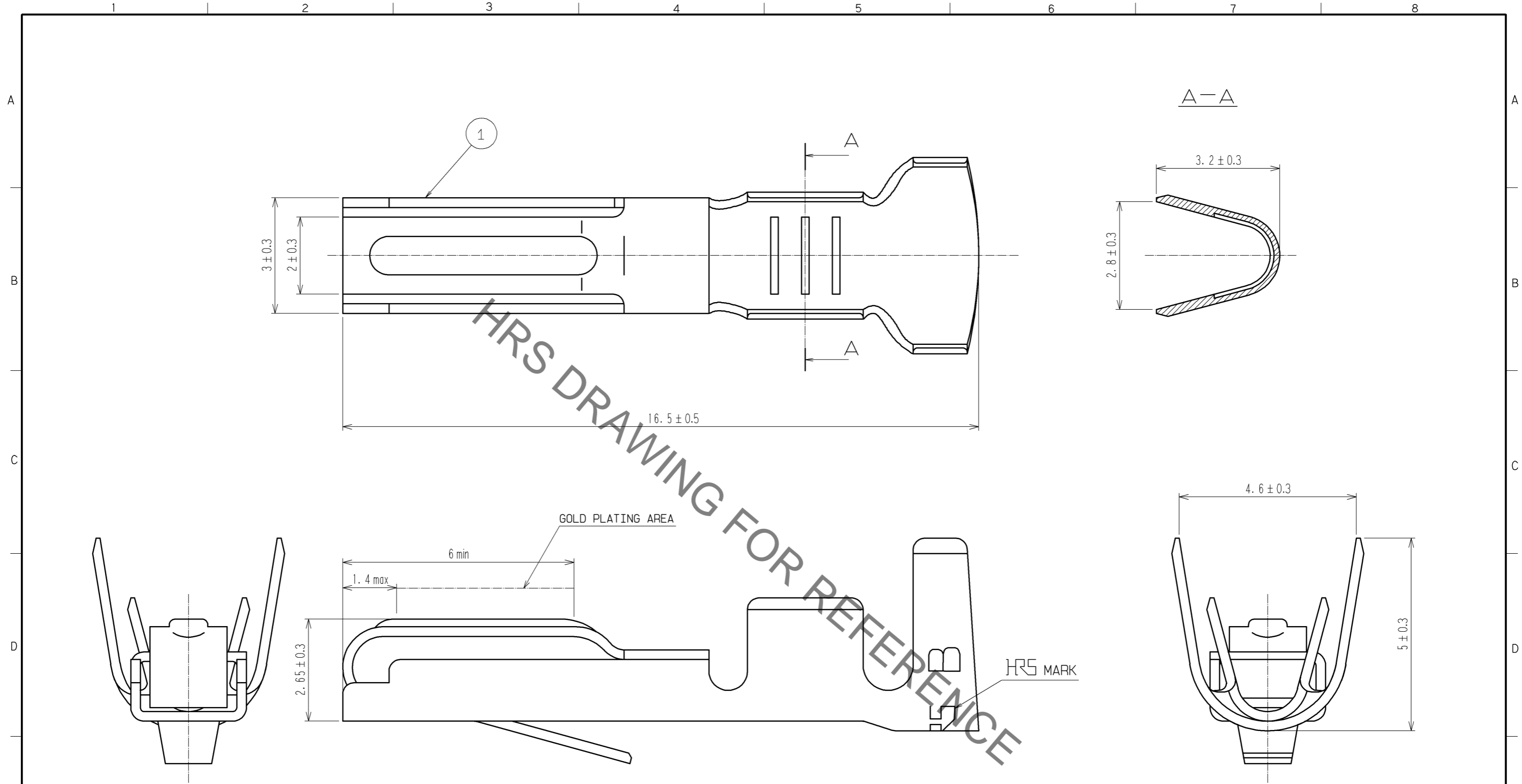


Aug.1.2022 Copyright 2022 HIROSE ELECTRIC CO., LTD. All Rights Reserved.  
In case of consideration for using Automotive equipment / device which demand high reliability, kindly contact our sales window correspondents.



NOTE 1 THIS CONTACT IS APPLICABLE TO THE WIRES. 14 TO 16 AWG.

1	PHOSPHOR BRONZE	CONTACT:GOLD PLATING 0.2μm min UNDER:NICKEL PLATING 1μm min						
NO.	MATERIAL	FINISH . REMARKS	NO.	MATERIAL	FINISH . REMARKS			
UNITS mm		SCALE 10:1		COUNT △	DESCRIPTION OF REVISIONS	DESIGNED	CHECKED	DATE
<b>HRS</b> HIROSE ELECTRIC CO., LTD.		APPROVED : HO. MIWA	07.10.22	DRAWING NO. EDC3-020656-01				
		CHECED : HO. MIWA	07.10.22	PART NO. QR/P1-PC1B-121(12)				
		DESIGNED : TS. ITO	07.10.22	CODE NO. CL221-0114-7-12				
		DRAWN : YK. SATO	07.10.19					