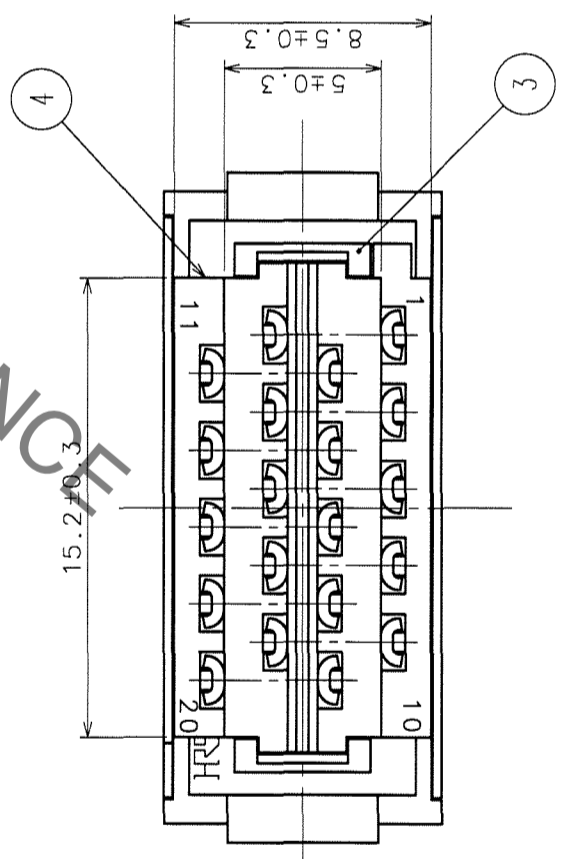
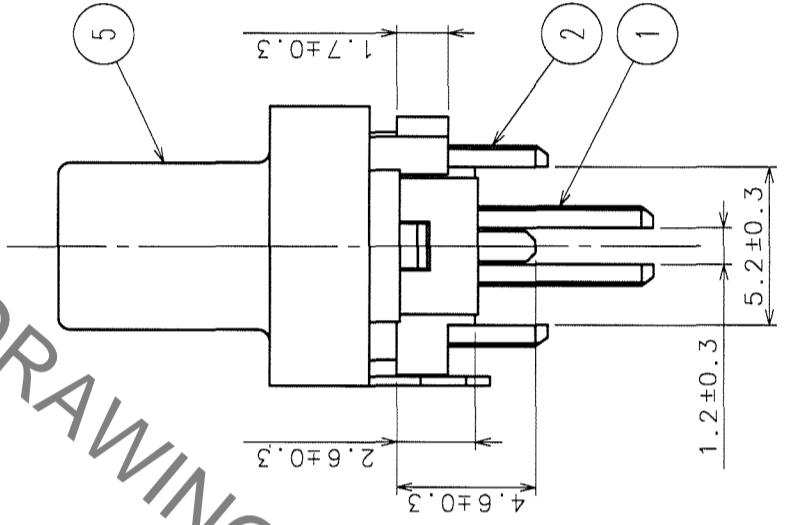
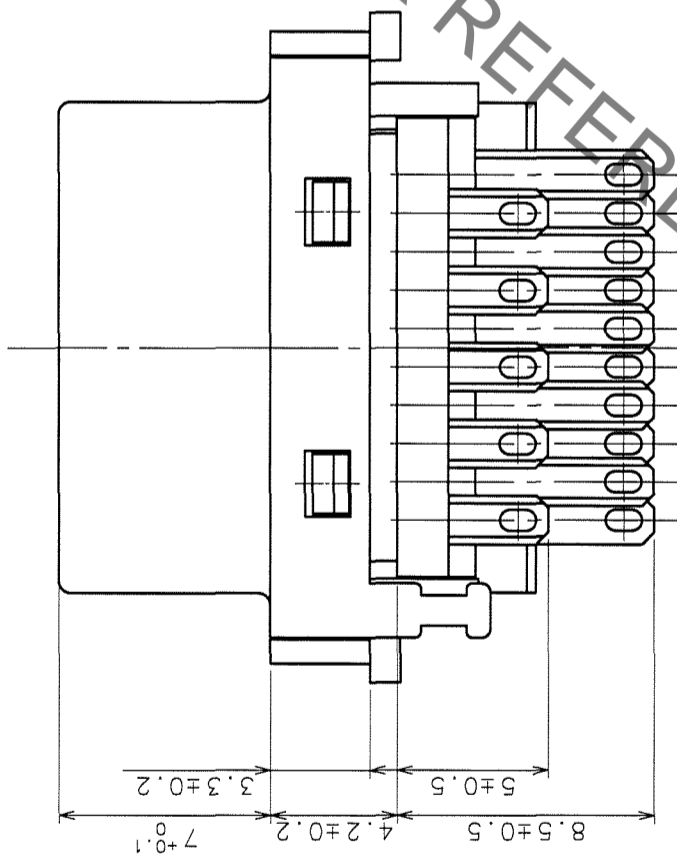
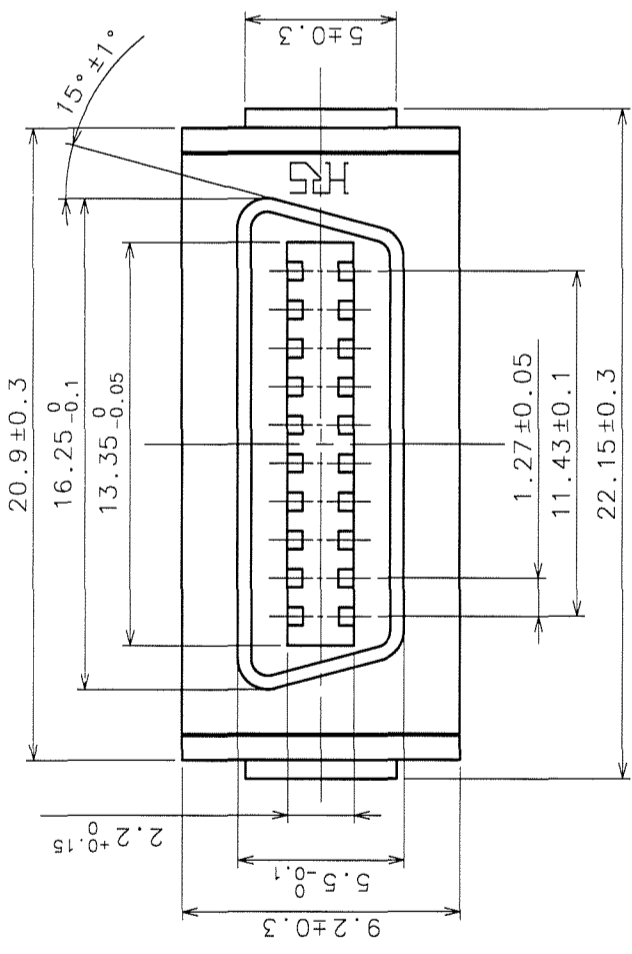


In case of consideration for using Automotive equipment / device which demand high reliability, kindly contact our sales window correspondents.

Aug.1.2022 Copyright 2022 HIROSE ELECTRIC CO., LTD. All Rights Reserved.

COUNT	DESCRIPTION OF REVISIONS	BY	CHKD	DATE	COUNT	DESCRIPTION OF REVISIONS	BY	CHKD	DATE
△					△				
△					△				
△					△				



HRS DRAWING FOR REFERENCE

NO.	MATERIAL	FINISH, REMARKS	DRAWN	DESIGNED	CHECKED	APPROVED	RELEASED
2	PHOSPHOR BRONZE	SELECTIVE GOLD PLATING					
1	PHOSPHOR BRONZE	SELECTIVE GOLD PLATING					
5	STEEL	NICKEL PLATING					
4	PPS	(BLACK) UL94V-0					
3	PPS	(BLACK) UL94V-0					

CODE NO. (OLD)

DRAWING NO. EDC3-120440-01

SCALE 4 : 1

UNITS mm

DRAWN M. Stone

DESIGNED F. Jamiguchi

CHECKED Y. Enami

APPROVED K. Murai

DATE 05.12.16

DATE 05.12.16

DATE 05.12.16

PART NO.	CODE NO.
F140B-20S(50)	CL230-0518-7-50

TO
Q1