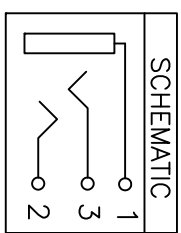
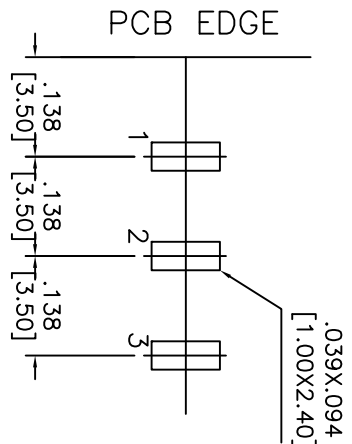
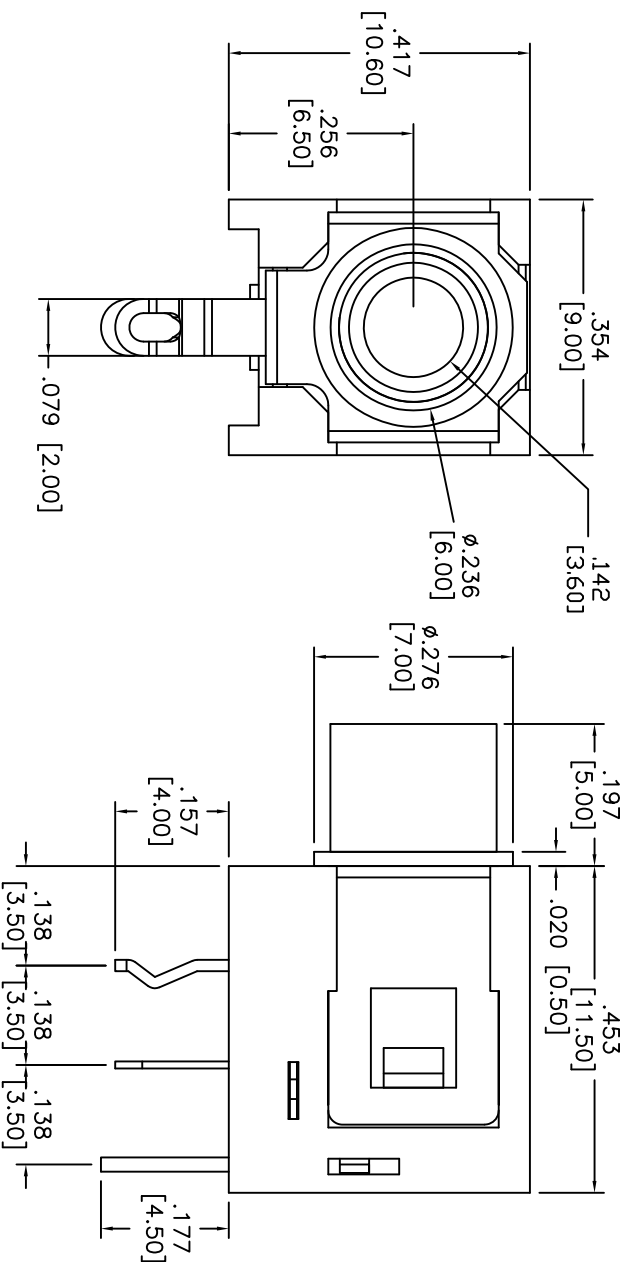


Rev	AWO #	Description	Date	Appr
-		RELEASED	5/11/10	

APPROVED: _____
 DATE: _____ TITLE: _____



SPECIFICATIONS:

- Material: PBT, rated UL 94V-0
- Insulator color: Black
- Contacts: Copper Alloy, Tin plated.
- Electrical:
 - Rated Voltage & Current: DC 12V, 2A max; AC100V, 1A max.
 - Contact resistance: 30 mohms max.
 - Insulation resistance: 100 Mohms min.
 - Dielectric withstanding voltage: 500 VAC for 1 minute
 - Temperature Rating: Operating temperature: -25°C to +85°C
- Environmental: Lead free, RoHS compliant.
- Recommended soldering temp: 235°C for 5 sec.



ADAM TECH

909 Rahway Avenue, Union, NJ 07083
 Phone: 908-687-5000 Fax: 908-687-5710

3.5MM STEREO PHONE JACK, 3PIN

UNLESS OTHERWISE SPECIFIED ALL DIMENSIONS ARE INCHES [MM]	
TOLERANCES: EXCEPT AS NOTED	HOLDS
.X ± .10	∅XX ± .10
.XX ± .020	∅XXX ± .015
.XXX ± .015	∅XXXX ± .010
APPROVALS	DATE
DRAWN	DY
CHECKED	
APPROVED	

SIZE	PART NO.	REV.
X	ASL-125-3	-
REF: S00095T	SCALE: NTS	SHEET 1 OF 1