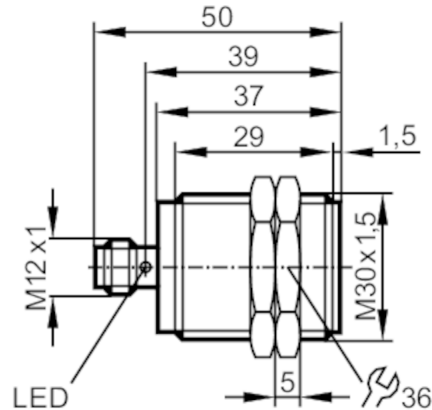


ANT430



RFID read/write head HF

DTRHF IBRWIDUS03



Application			
Application	detection of objects on transport equipment		
Radio approval for	USA; Canada; EU/RED; Australia; Japan; China; Taiwan; India; Singapore; Ukraine		
Note on radio approval	The list of countries applying the European Radio Equipment Directive 2014/53/EU (RED) can be found under "Downloads".		
Electrical data			
Operating voltage [V]	19.2...28.8 DC; (supply only via the DTE10x evaluation unit (to EN 60950-1))		
Current consumption [mA]	< 50		
Protection class	III		
Operating frequency [MHz]	13,56		
RFID standard	ISO 15693		
Detection zone			
Distance write/read head front [mm]	100		
Distance write/read head side [mm]	50		
Distance to the ID tag [mm]	referred to 30 mm coin tag; I-CODE SLI	:	≤ 30
Interfaces			
Communication interface	DATA / DTE10x		
Operating conditions			
Ambient temperature [°C]	-20...60		
Storage temperature [°C]	-25...80		
Protection	IP 67; IP 69K		

ANT430



RFID read/write head HF

DTRHF IBRWIDUS03

Tests / approvals

EMC	DIN EN 61000-6-2	
Shock resistance	EN 60068-2-27	50 g 11 ms / 40 g (6 ms, continuous)
Vibration resistance	EN 60068-2-6	20 g 10...2000 Hz
Radio approval	EN 302 291-2 V1.1.1 / EN 300 330-2 V1.5.1	

Mechanical data

Weight [g]	187.5
Housing	cylindrical
Mounting	flush mountable
Dimensions [mm]	M30 x 1.5 / L = 50
Thread designation	M30 x 1.5
Materials	housing: stainless steel; Protective cover: PPS

Displays / operating elements

Display	operation	1 x LED, green
	tag communication	1 x LED, yellow

Remarks

Pack quantity	1 pcs.
---------------	--------

Electrical connection

Connector: 1 x M12



Connection

