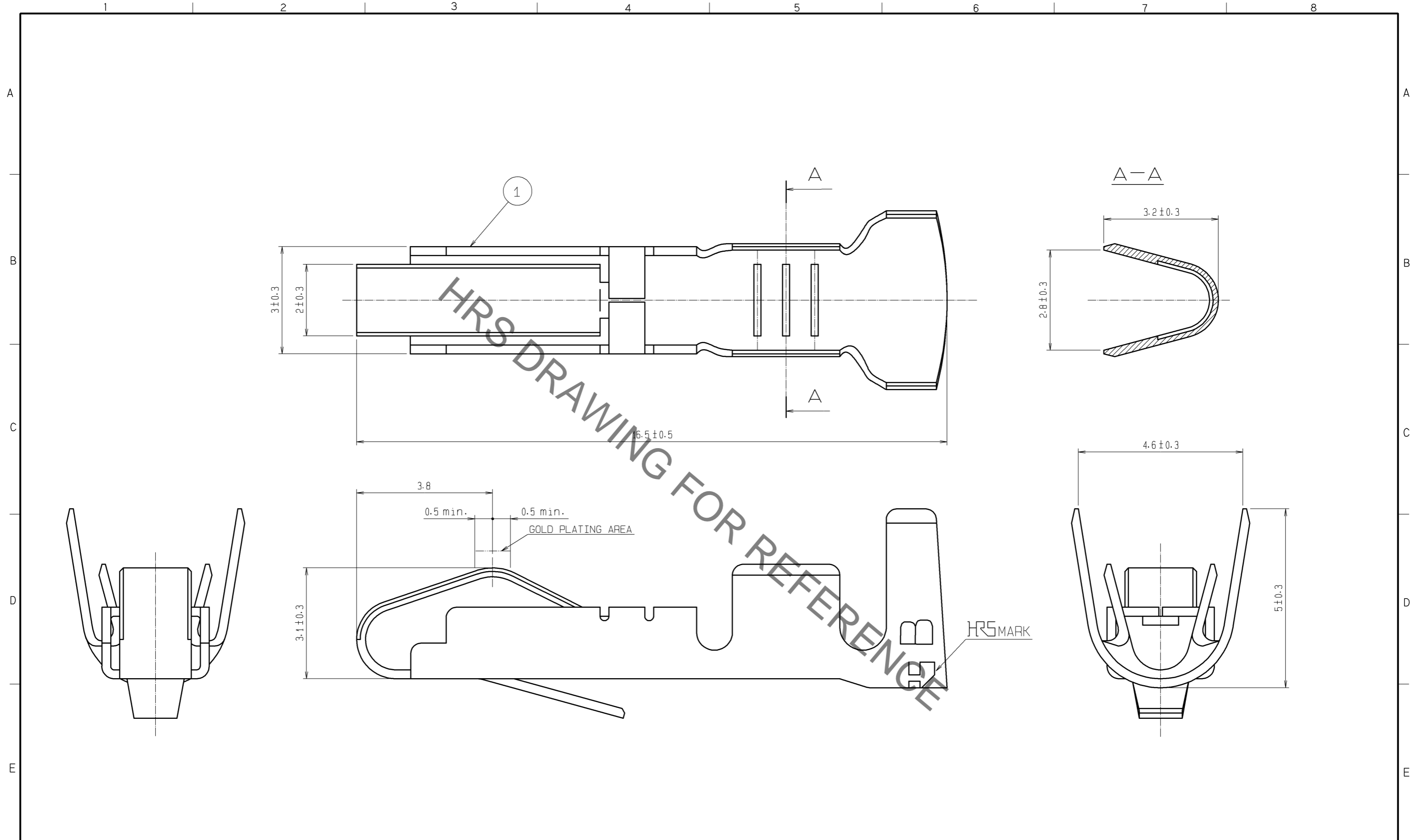


Aug.1.2022 Copyright 2022 HIROSE ELECTRIC CO., LTD. All Rights Reserved.
 In case of consideration for using Automotive equipment / device which demand high reliability, kindly contact our sales window correspondents.



NOTE 1 THIS CONTACT IS APPLICABLE TO THE WIRES, 14 TO 16 AWG.

1	PHOSPHOR BRONZE	CONTACT:GOLD PLATING 0.2μm min UNDER:NICKEL PLATING 1μm min					
NO.	MATERIAL	FINISH . REMARKS	NO.	MATERIAL	FINISH . REMARKS		
UNITS mm		SCALE 10:1		DESCRIPTION OF REVISIONS	DESIGNED	CHECKED	DATE
HRS HIROSE ELECTRIC CO., LTD.		APPROVED : HO. MIWA	07.10.22	DRAWING NO.	EDC3-020658-01		
		CHECED : HO. MIWA	07.10.22	PART NO.	QR/P1-SC1B-121(12)		
		DESIGNED : TS. ITO	07.10.22	CODE NO.	CL221-0116-2-12		
		DRAWN : YK. SATO	07.10.19				