

M66282FP

8192 x 8-BIT LINE MEMORY

DESCRIPTION

The M66282FP is high speed line memory that uses high performance silicon gate CMOS process technology and adopts the FIFO (First In First Out) structure consisting of 8192 words x 8 bits.

The M66282FP, performing reading and writing operations at different cycles independently and asynchronously, is optimal for buffer memory to be used between equipment of different data processing speeds.

FEATURES

- Memory configuration 8192 words x 8 bits (dynamic memory)
- High speed cycle 25 ns (Min.)
- High speed access 18 ns (Max.)
- Output hold 3 ns (Min.)
- Reading and writing operations can be completely carried out independently and asynchronously.
- Variable length delay bit
- Input/output TTL direct connection allowable
- Output 3 states

APPLICATION

- Digital copying machine, laser beam printer, high speed facsimile, etc.

FUNCTION

When write enable input WEB is set to "L", the contents of data inputs D0 to D7 are read in synchronization with a rising edge of write lock input WCK to perform writing operation. When this is the case, the write address counter is also incremented simultaneously.

When WEB is set to "H", the writing operation is inhibited and the write address counter stops.

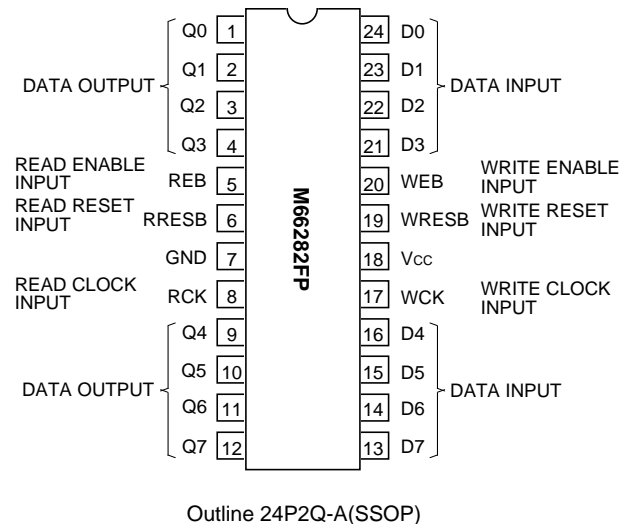
When write reset input WRESB is set to "L", the write address counter is initialized.

When read enable input REB is set to "L", the contents of memory are output to data outputs Q0 to Q7 in synchronization with a rising edge of read clock input RCK to perform reading operation. When this is the case, the read address counter is incremented simultaneously.

When REB is set to "H", the reading operation is inhibited and the read address counter stops. The outputs are placed in a high impedance state.

When read reset input RRESB is set to "L", the read address counter is initialized.

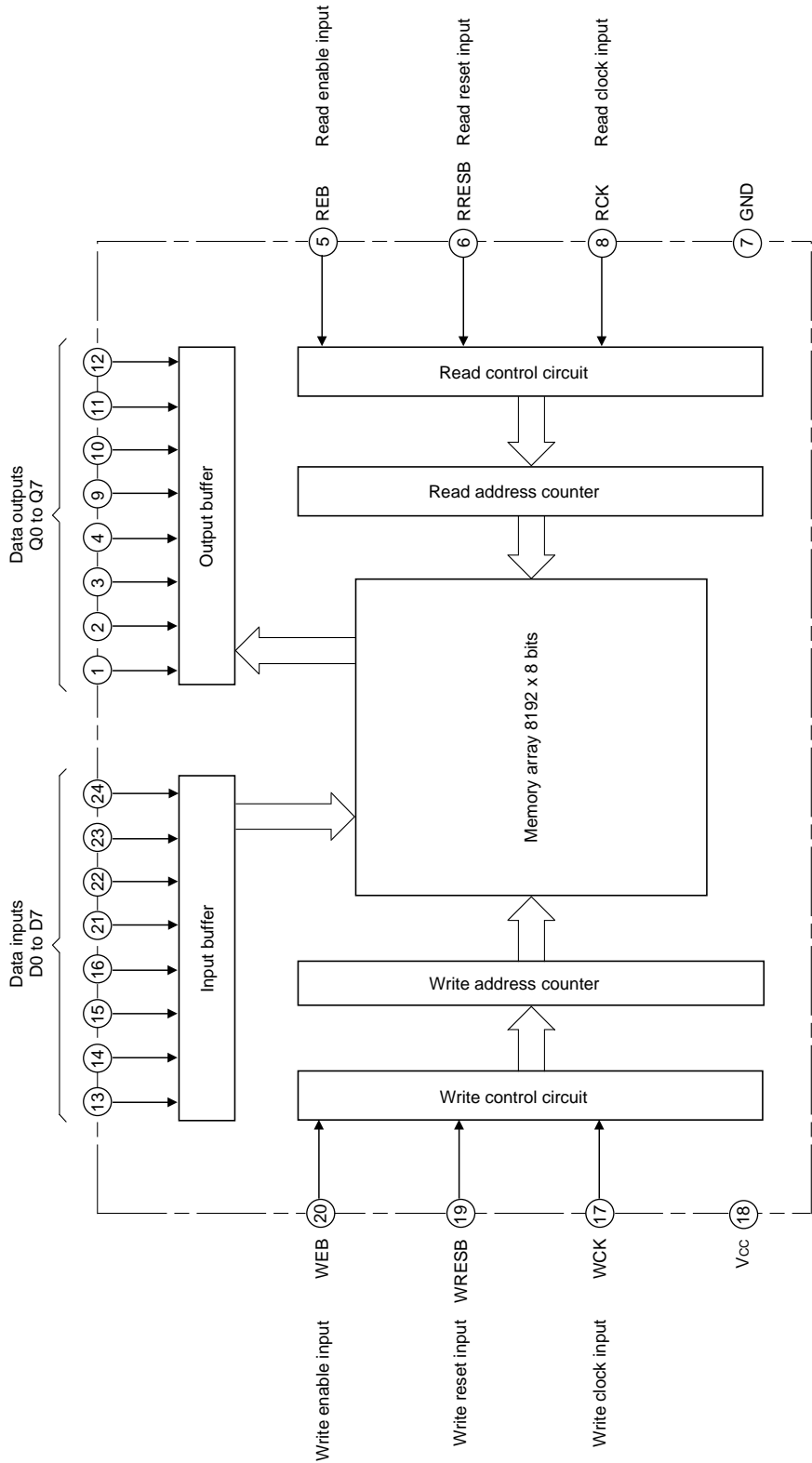
PIN CONFIGURATION (TOP VIEW)



M66282FP

8192 x 8-BIT LINE MEMORY

BLOCK DIAGRAM



ABSOLUTE MAXIMUM RATINGS (Ta=0 – 70 °C unless otherwise noted)

Symbol	Parameter	Conditions	Ratings	Unit
Vcc	Supply voltage	Value based on the GND pin	-0.3 – +4.6	V
Vi	Input voltage		-0.3 – Vcc+0.3	V
Vo	Output voltage		-0.3 – Vcc+0.3	V
Pd	Power dispersion		300	mW
Tstg	Storage temperature		-55 – 150	°C

RECOMMENDED OPERATING CONDITIONS

Symbol	Parameter	Limits			Unit
		Min.	Typ.	Max.	
Vcc	Supply voltage	2.7	3.15	3.6	V
GND	Supply voltage		0		V
Topr	Operating temperature	0		70	°C

ELECTRICAL CHARACTERISTICS (Ta=0 – 70 °C, Vcc=2.7 – 3.6V, GND=0V unless otherwise noted)

Symbol	Parameter	Conditions	Limits			Unit
			Min.	Typ.	Max.	
VIH	High-level input voltage		2.0			V
VIL	Low-level input voltage				0.8	V
VOH	High-level output voltage	IOH = -4mA	Vcc-0.4			V
VOL	Low-level output voltage	IOL = 4mA			0.4	V
IiH	High-level input current	Vi = Vcc			1.0	μA
IiL	Low-level input current	Vi = GND			-1.0	μA
IOZH	Off-state high-level output current	Vo = Vcc			5.0	μA
IOZL	Off-state low-level output current	Vo = GND			-5.0	μA
ICC	Average supply current during operation	Vi = Vcc, GND, output open twck, trck = 25ns			70	mA
CI	Input capacitance	f = 1MHz			10	pF
CO	Off-time output capacitance	f = 1MHz			15	pF

SWITCHING CHARACTERISTICS (Ta=0 – 70 °C, Vcc=2.7 – 3.6V, GND=0V unless otherwise noted)

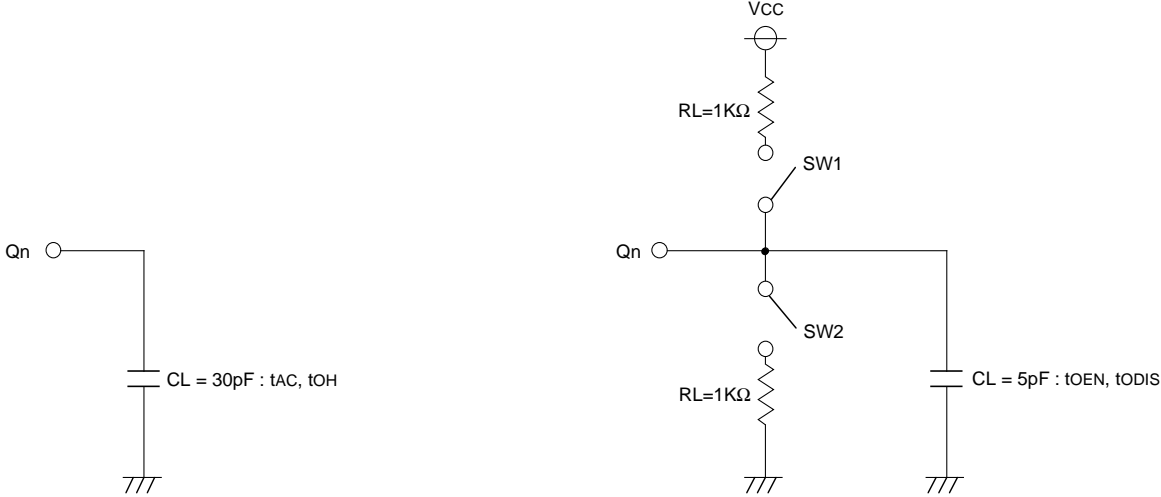
Symbol	Parameter	Limits			Unit
		Min.	Typ.	Max.	
tAC	Access time			18	ns
tOH	Output hold time	3			ns
tOEN	Output enable time	3		18	ns
tODIS	Output disable time	3		18	ns

TIMING REQUIREMENTS (Ta=0 – 70 °C, Vcc=2.7 – 3.6V, GND=0V unless otherwise noted)

Symbol	Parameter	Limits			Unit
		Min.	Typ.	Max.	
twCK	Write clock (WCK) cycle	25			ns
twCKH	Write clock (WCK) "H" pulse width	11			ns
twCKL	Write clock (WCK) "L" pulse width	11			ns
trCK	Read clock (RCK) cycle	25			ns
trCKH	Read clock (RCK) "H" pulse width	11			ns
trCKL	Read clock (RCK) "L" pulse width	11			ns
tDS	Input data set up time for WCK	7			ns
tDH	Input data hold time for WCK	3			ns
tRESS	Reset set up time for WCK/RCK	7			ns
tRESH	Reset hold time for WCK/RCK	3			ns
tnRESS	Reset non-selection set up time for WCK/RCK	7			ns
tnRESH	Reset non-selection hold time for WCK/RCK	3			ns
twES	WEB set up time for WCK	7			ns
tWEH	WEB hold time for WCK	3			ns
tnWES	WEB non-selection set up time for WCK	7			ns
tnWEH	WEB non-selection hold time for WCK	3			ns
tRES	REB set up time for RCK	7			ns
tREH	REB hold time for RCK	3			ns
tnRES	REB non-selection set up time for RCK	7			ns
tnREH	REB non-selection hold time for RCK	3			ns
tr, tf	Input pulse up/down time			20	ns
tH	Data hold time (Note 1)			20	ms

Note 1: For 1 line access, the following conditions must be satisfied:
 WEB high-level period ≤ 20 ms - 8192 • twCK - WRESB low-level period
 REB high-level period ≤ 20 ms - 8192 • trCK - RRESB low-level period
 2: Perform reset operation after turning on power supply.

SWITCHING CHARACTERISTICS MEASUREMENT CIRCUIT

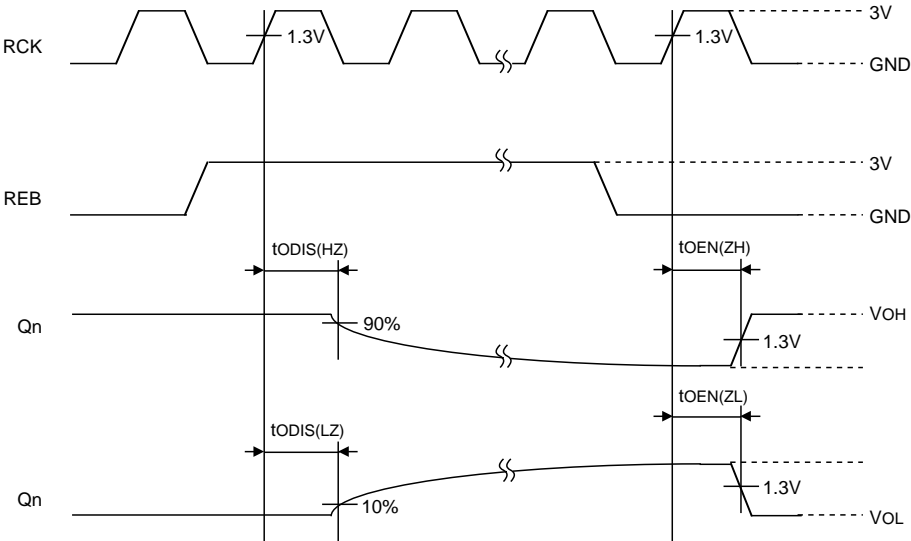


Input pulse level : 0 – 3V
 Input pulse up/down time : 3 ns
 Judging voltage Input : 1.3V
 Output : 1.3V(However, tODIS(LZ) is judged with 10% of the output amplitude, while tODIS(HZ) is judged with 90% of the output amplitude.)

Load capacitance CL includes the floating capacity of connected lines and input capacitance of probe.

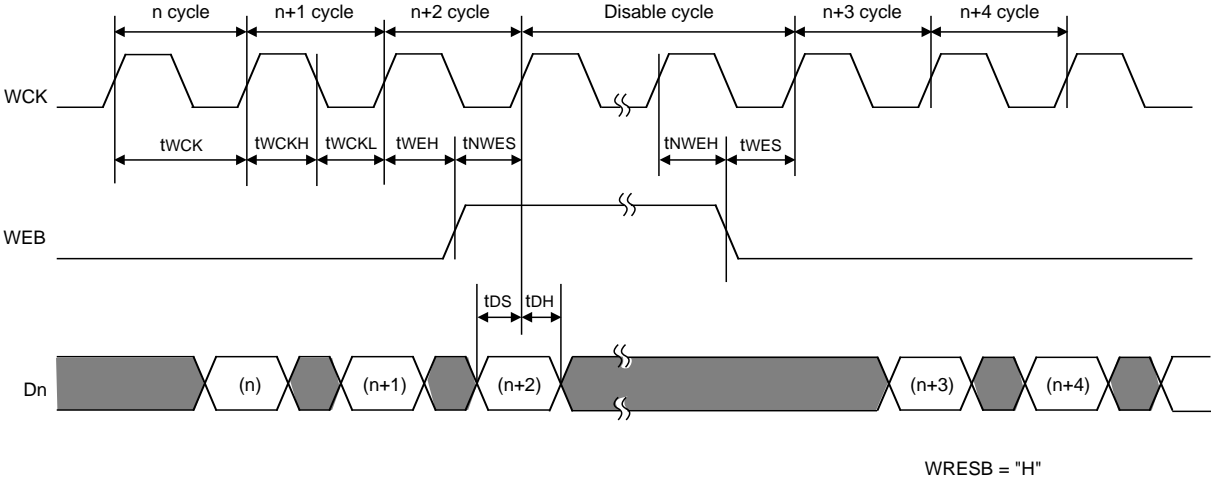
Item	SW1	SW2
tODIS(LZ)	Close	Open
tODIS(HZ)	Open	Close
tOEN(ZL)	Close	Open
tOEN(ZH)	Open	Close

tODIS and tOEN measurement condition

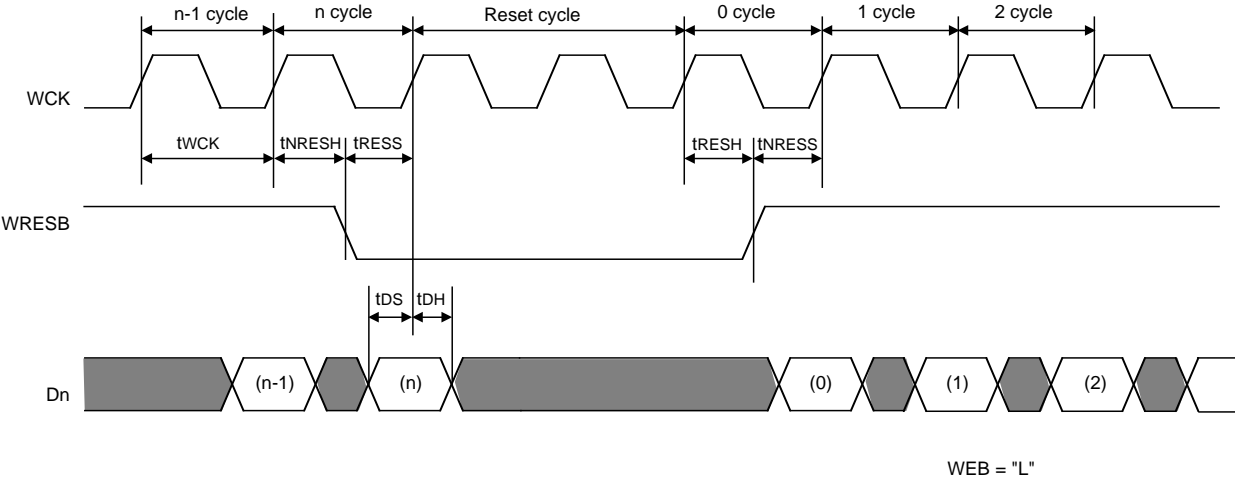


OPERATION TIMING

- Write cycle



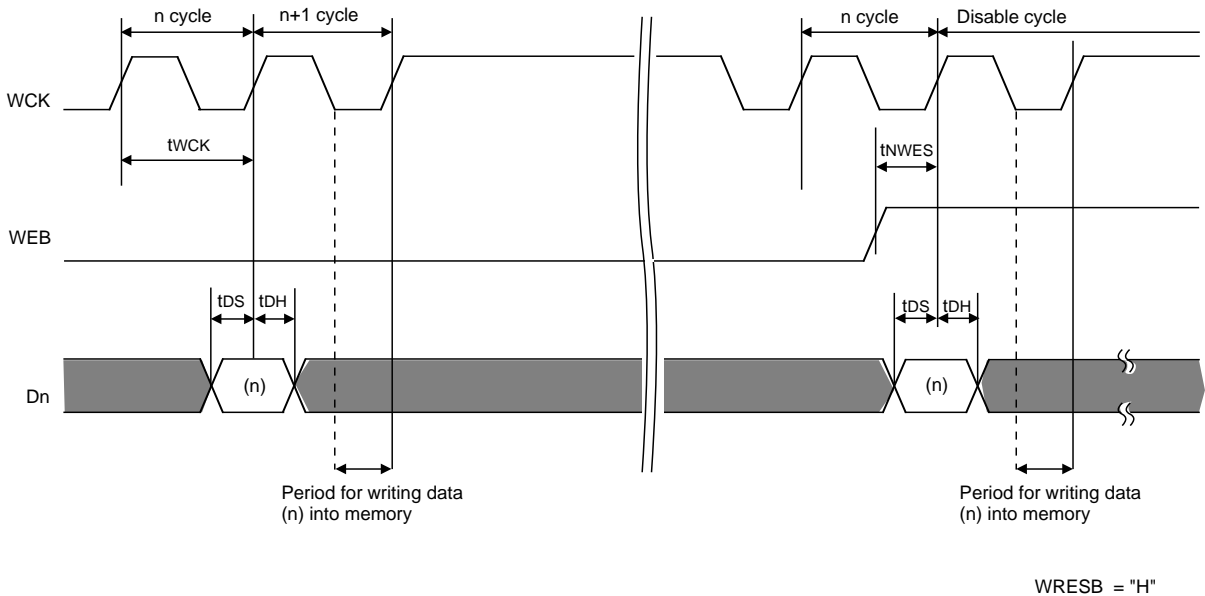
- Write reset cycle



M66282FP

8192 x 8-BIT LINE MEMORY

- Matters that needs attetion when WCK stops



Input data of n cycle is read at the rising edge after WCK of n cycle and writing operation starts in the WCK low-level period of n+1 cycle. The writing operation is complete at the falling edge after n+1 cycle.

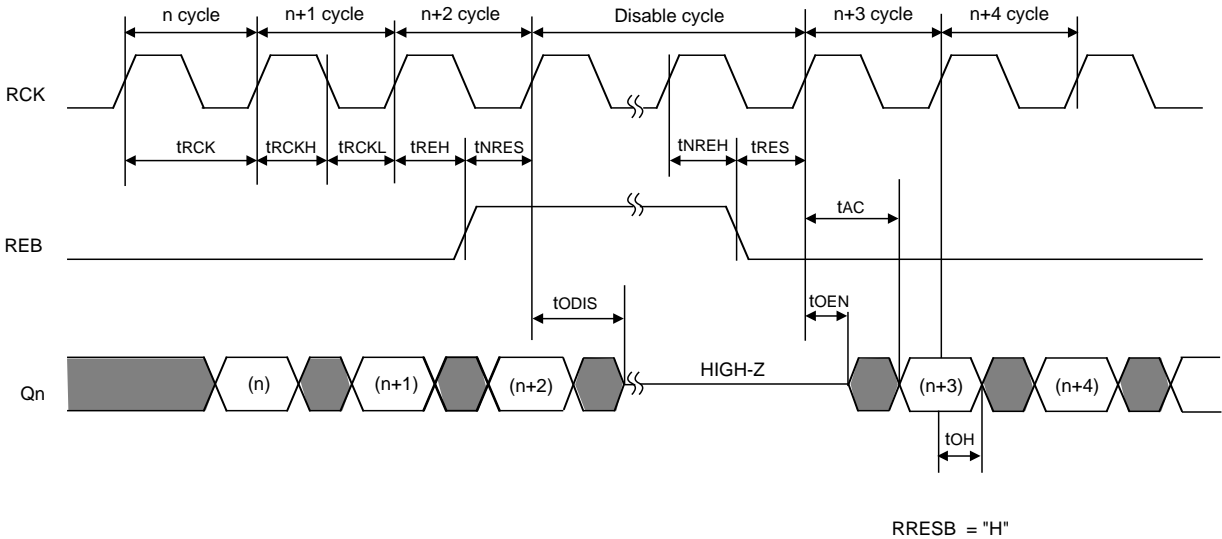
To stop reading write data at n cycle, enter WCK before the rising edge after n+1 cycle.

When the cycle next to n cycle is a disable cycle, WCK for a cycle requires to be entered after the disable cycle as well.

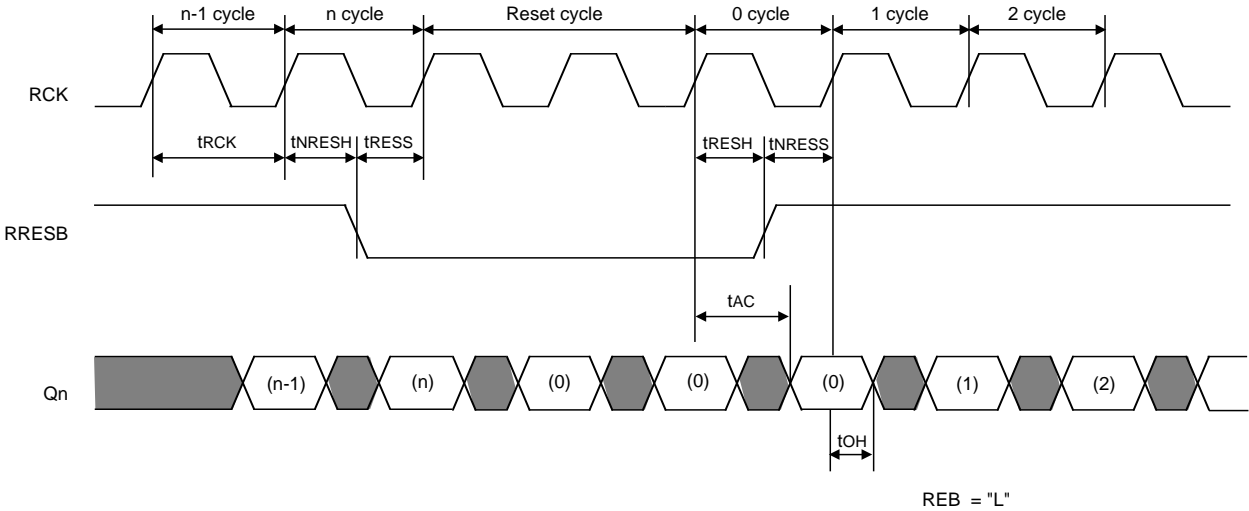
M66282FP

8192 x 8-BIT LINE MEMORY

• Read cycle



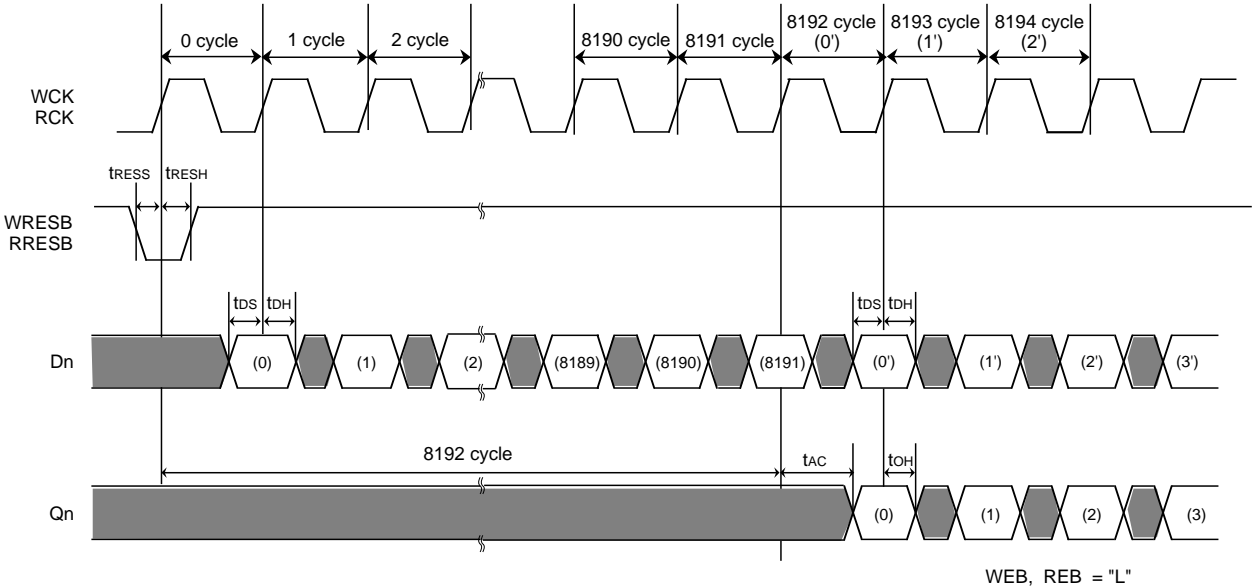
• Read reset cycle



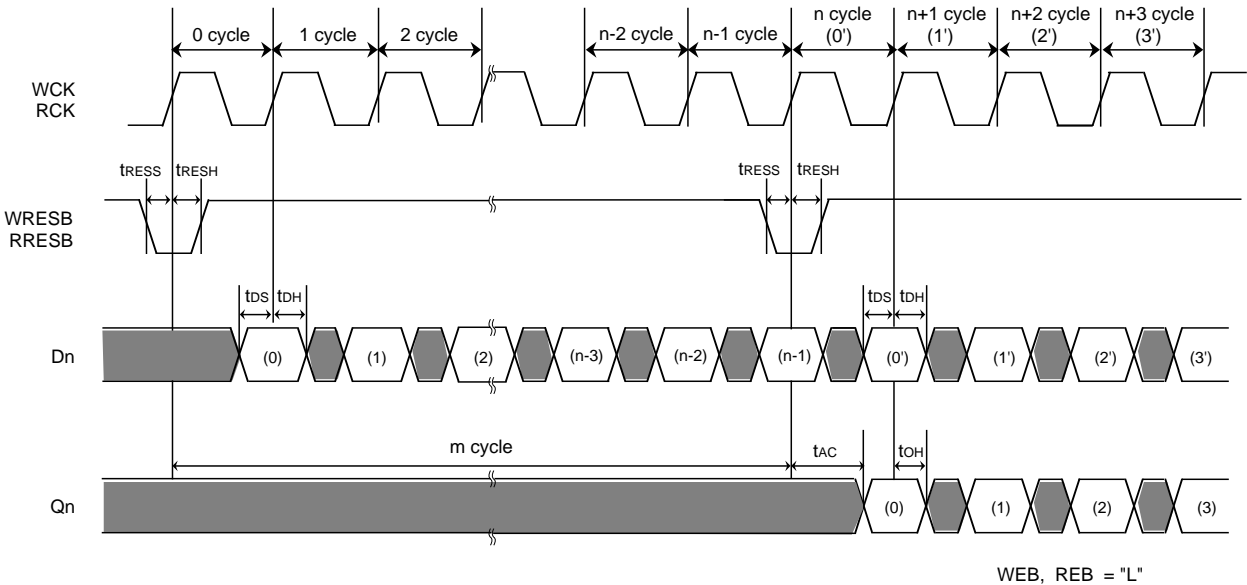
VARIABLE LENGTH DELAY BIT

- 1 line (8192 bits) delay

Input data can be written at the rising edge of WCK after write cycle and output data is read at the rising edge of RCK before read cycle to easily make 1 line delay.



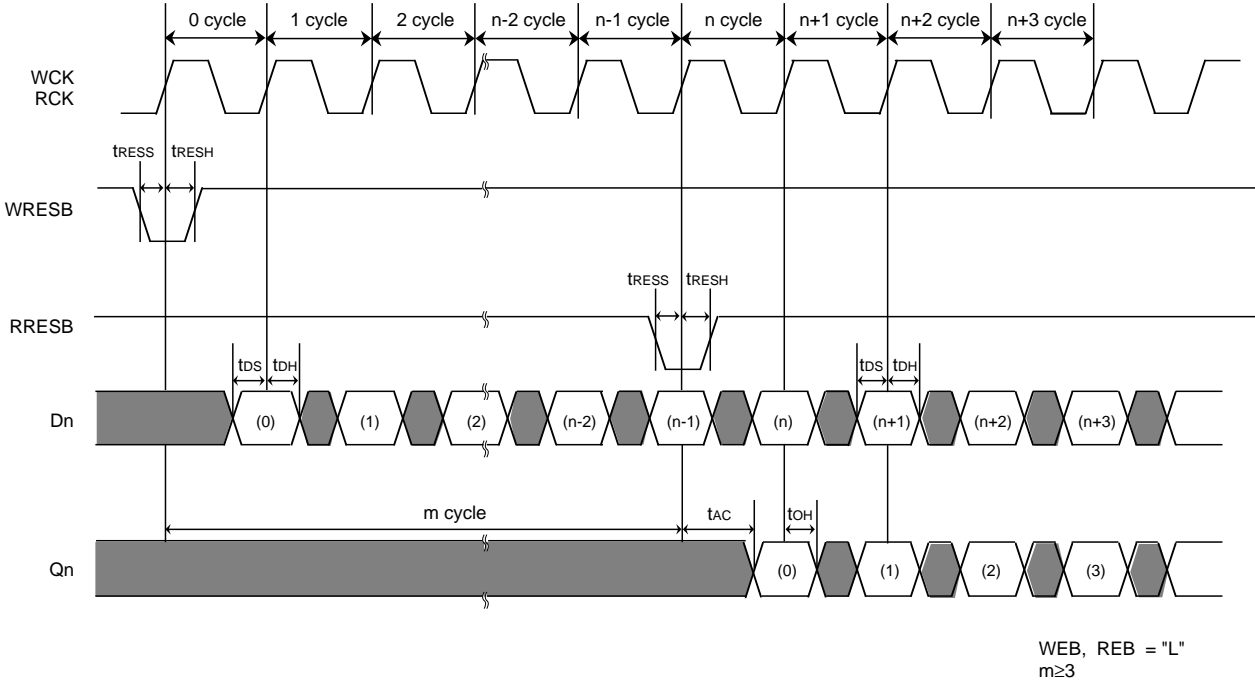
- n-bit delay bit
(Reset at cycles according to the delay length)



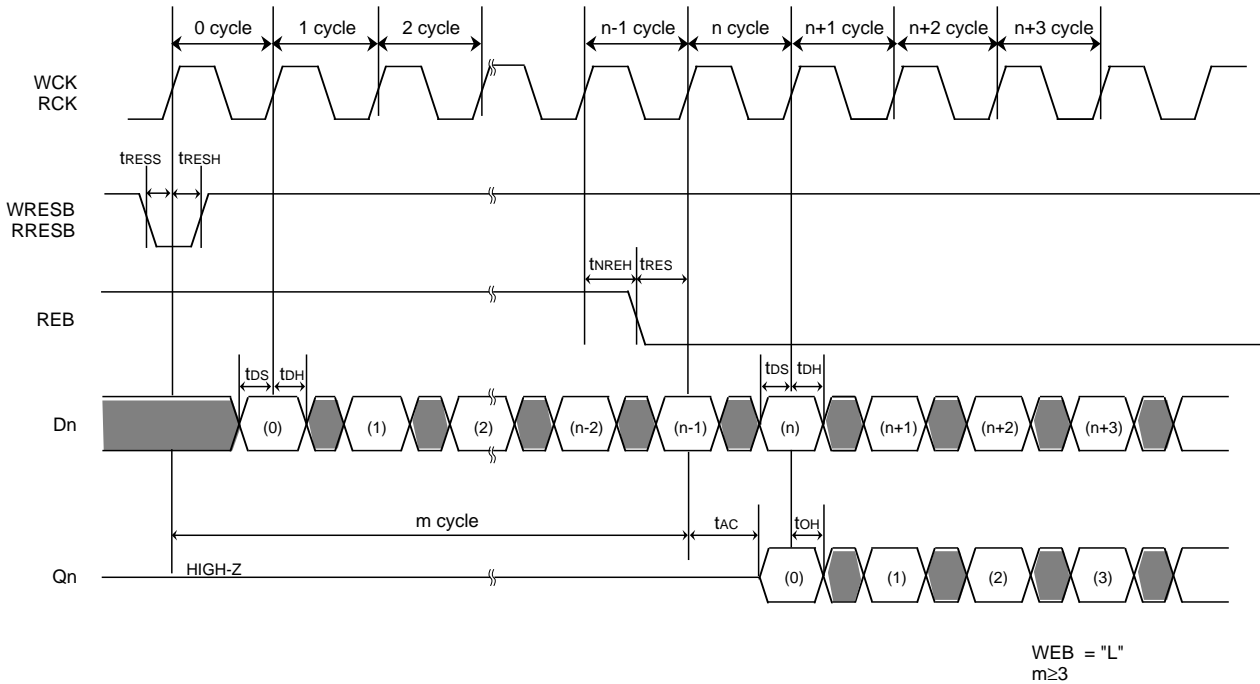
M66282FP

8192 x 8-BIT LINE MEMORY

- n-bit delay 2
(Slides input timings of WRESB and RRESB at cycles according to the delay length.)



- n-bit delay 3
(Slides address by disabling REB in the period according to the delay length.)

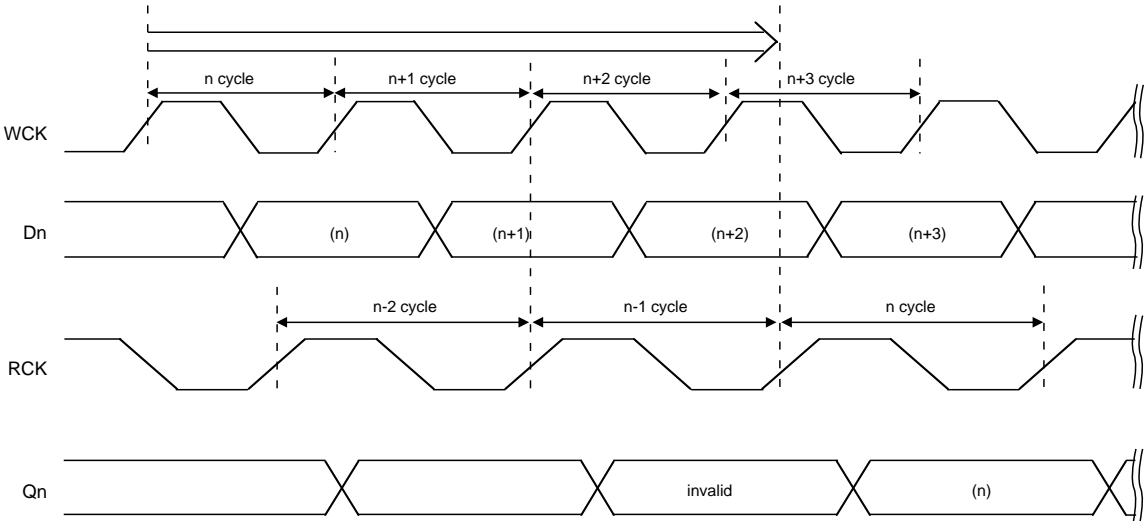


M66282FP

8192 x 8-BIT LINE MEMORY

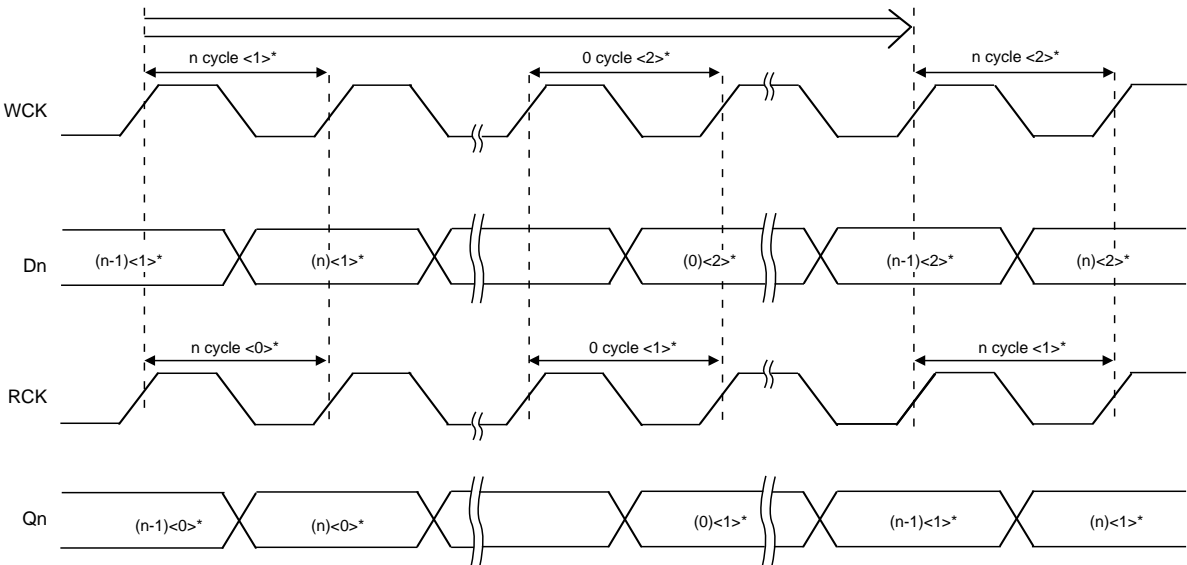
- Reading shortest n-cycle write data "n"
(Reading side n-1 cycle starts after the end of writing side n-1 cycle.)

When the reading side n-1 cycle starts before the end of the writing side n+1 cycle, output Qn of n cycle is made invalid.
In the following diagram, reading operation of n-1 cycle is invalid.



- Reading longest n-cycle write data "n": 1 line delay
(When writing side n-cycle <2>* starts, reading side n cycle <1>* then starts.)

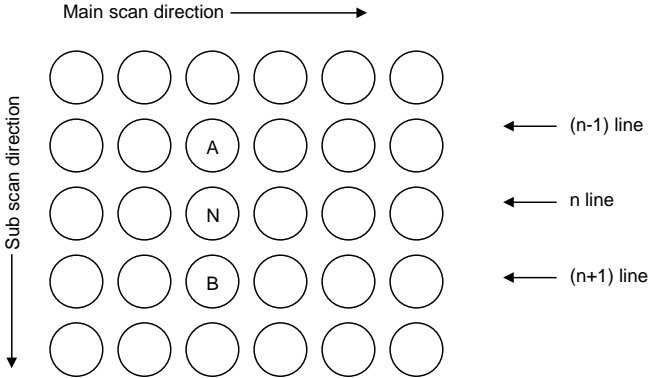
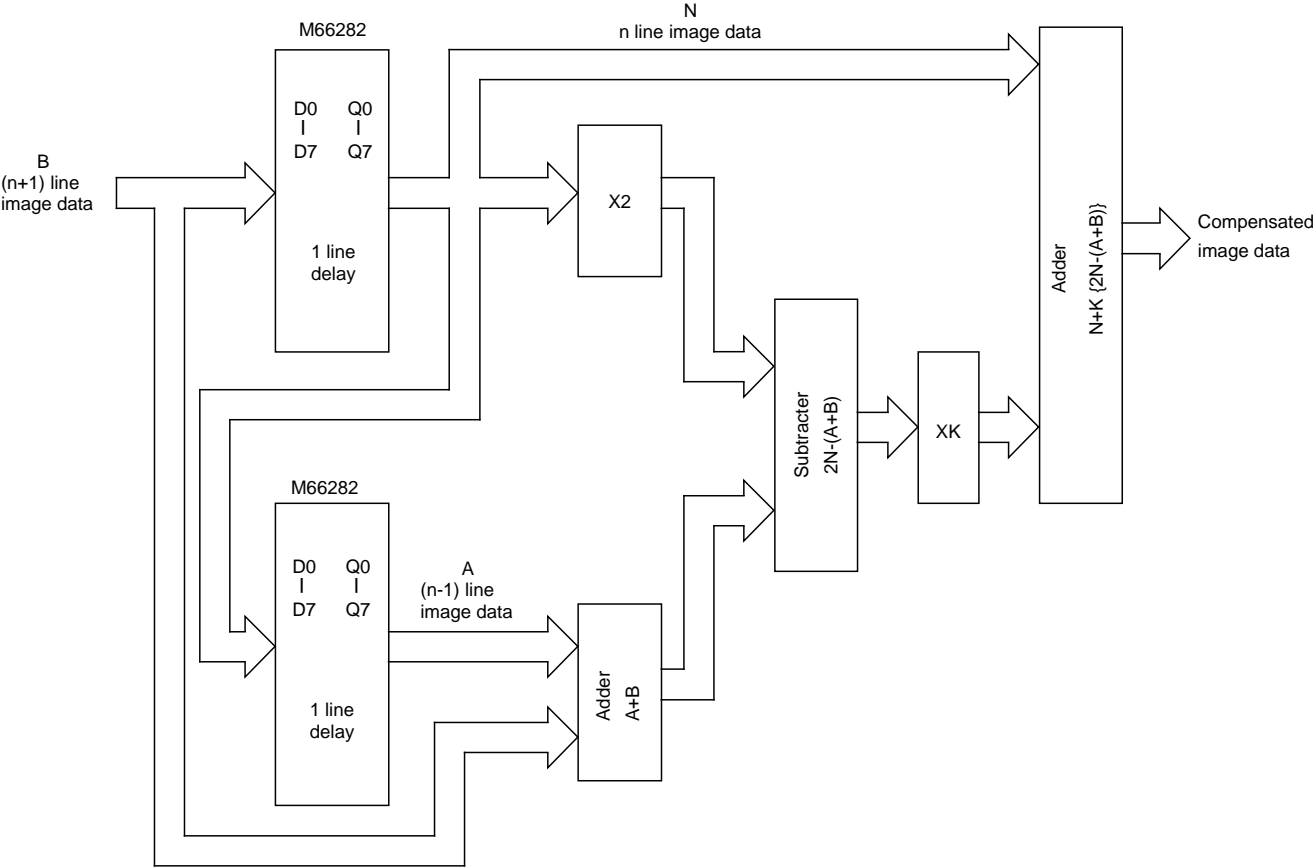
Output Qn of n cycle <1>* can be read until the start of reading side n cycle <1> and the start of writing side n cycle <2>* overlap each other.



<0>*, <1>* and <2>* indicate value of lines.

APPLICATION EXAMPLE

Sub Scan Resolution Compensation Circuit with Laplacean Filter



$$N' = N + K \{ (N-A) + (N-B) \}$$

$$= N + K \{ 2N - (A+B) \}$$

K: Laplacean coefficient