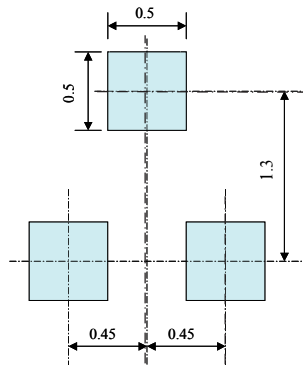


Coplanarity : less than 0.1mm(including under reflow condition)

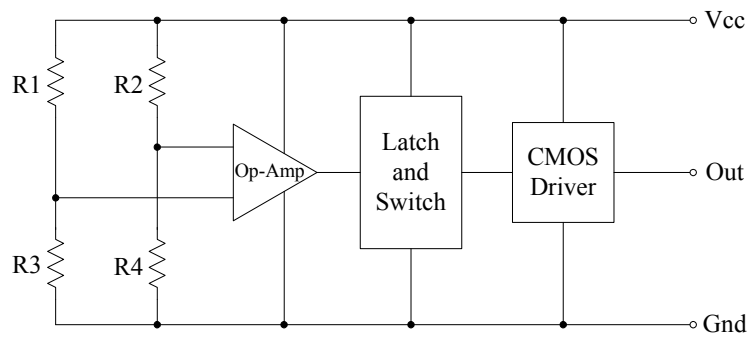
Dimension

(E.g.) 「」 4 6 I Control code...One alphabetic character
 ↓ ↓ ↓ II Manufactured year...The last digit of the year
 I II III III Manufactured month..
 Jan to Sep : 1 to 9
 Oct to Dec : X, Y, Z



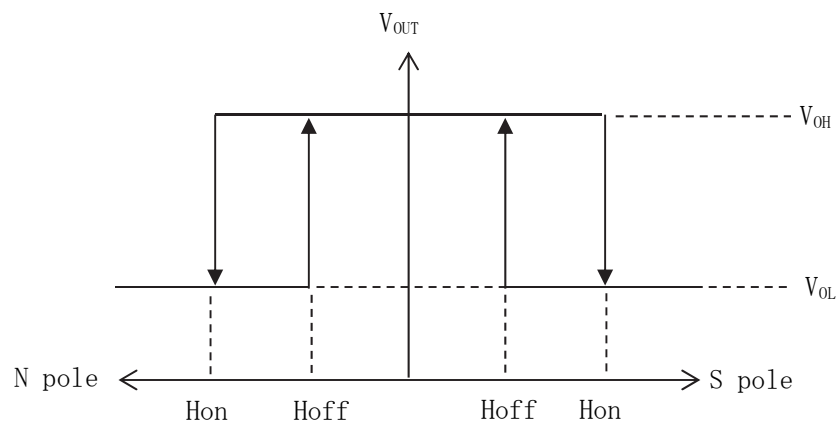
Reference mount pad

3-2 Block wiring diagram



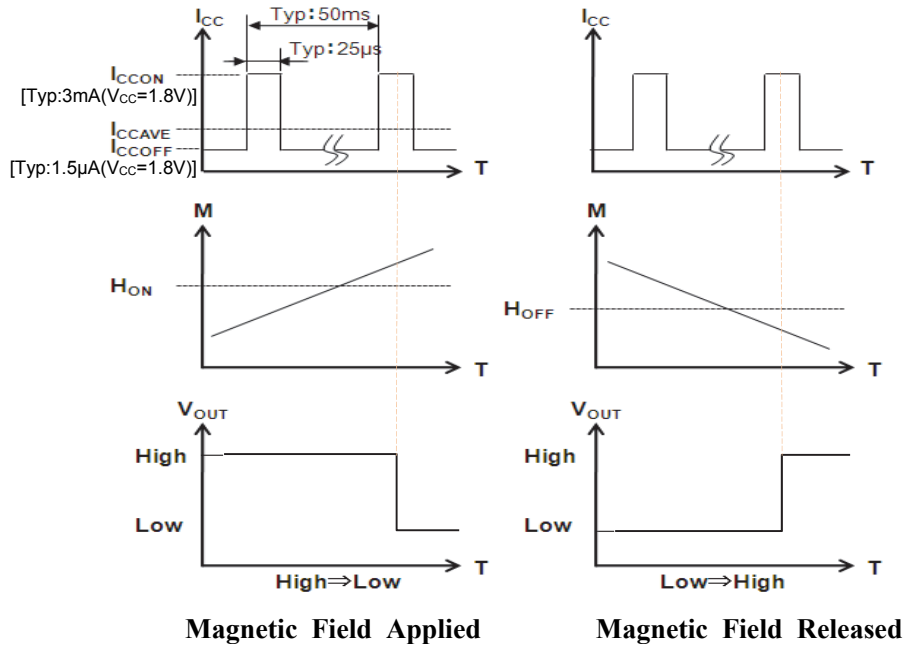
The intermittent switch circuit inside

3-3 Magnetic electric conversion characteristic





3-4 Timing Diagram



3-5 Electric Characteristics/ Absolute Maximum Rating (Ta=+25°C Vcc=1.8V)

	Parameter	Symbol	Conditions	Min.	Typ.	Max.	Unit
1	Supply voltage	V _{CC}	—	1.6	1.8	3.5	V
2	Absolute max. supply voltage	—	—	—	—	6.0	V
3	Current consumption	I _{AVE}	Average V _{CC} =1.8V	—	3	8	µA
4	Operating magnetic field	H _{on}	+25 °C	—	—	2.5	mT
			-40~+85°C	—	—	3.0	
		H _{off}	+25°C	0.5	—	—	
			-40~+85°C	0.2	—	—	
5	Hi level output	V _{OH}	I _{out} =+1mA	1.6	—	—	V
6	Lo level output	V _{OL}	I _{out} =-1mA	—	—	0.2	V
7	Operating temp. range	—	—	-40	—	+85	°C
8	Storage temp. range	—	—	-40	—	+125	°C

NOTE1) Each specification is defined by testing above items individually.

NOTE2) When shifting the sensor output from H to L, please make sure the magnetic field applied to the sensor becomes higher than the above operating magnetic field (H_{on}) through your designing.

NOTE3) When shifting the sensor output from L to H, please make sure the magnetic field applied to the sensor becomes lower than the above operating magnetic field (H_{off}) through your designing.

NOTE4) Sensitivity selection of this product is performed at V_{CC}=1.8V. Operating magnetic field can possibly change when applying the supply voltage other than 1.8V. Please consult with us for technical assistance when you consider the supply voltage other than 1.8V, as a special attention needs to be given in the design.

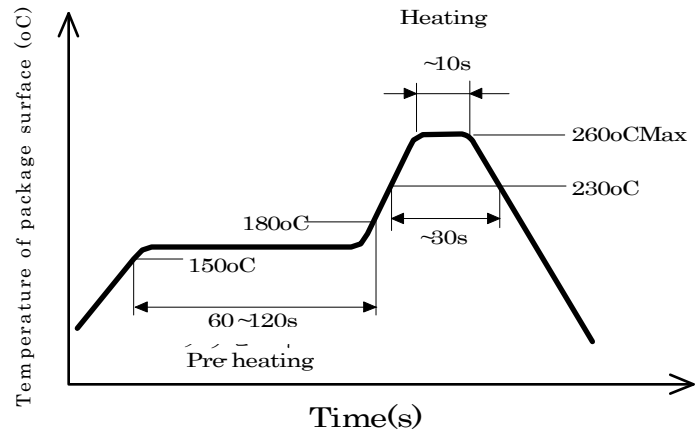
3-6 Packing information

Form of packing	Reel dimension	Pcs per reel
Tape & reel	φ180	3000pcs



4. Mounting condition

4-1 Reflow condition, Hand soldering condition



Times of reflow: 3 or less

Hand soldering condition: 350+/-5°C, within 3 sec/each terminal

4-2 Other

MSL(Moisture Sensitivity Level): equal to MSL1