

6

5

4

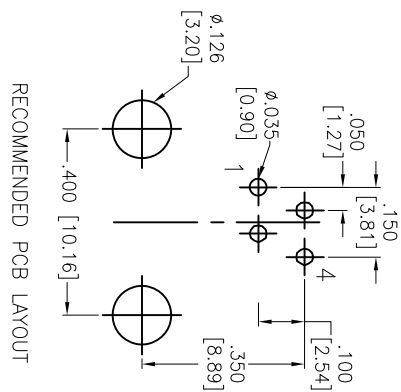
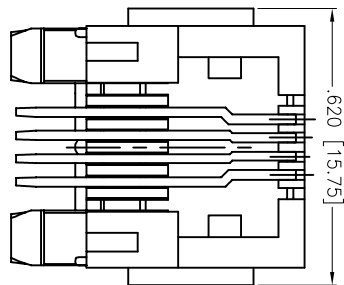
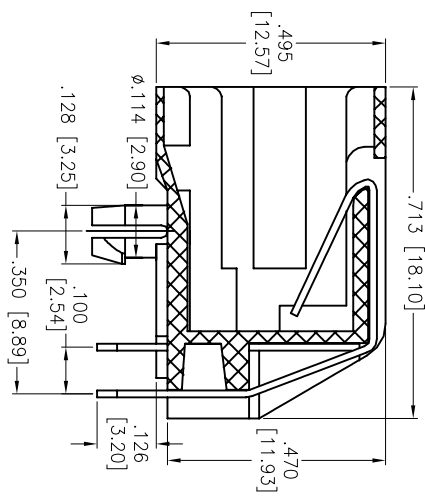
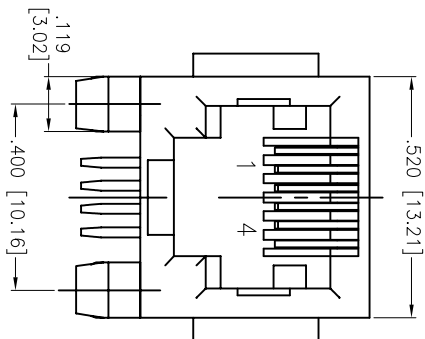
3

2

1

APPROVED: \_\_\_\_\_  
 DATE: \_\_\_\_\_ TITLE: \_\_\_\_\_

Rev	AWO #	Description	Date	Appr
-		PRELIMINARY	09/13/00	
A		REDRAWN	02/01/12	



RECOMMENDED PCB LAYOUT

**SPECIFICATIONS:**

- Material: PBT, rated UL 94V-0
- Insulator color: Black
- Contacts: Phosphor Bronze
- Plating: Gold over Nickel underplate on contact area, Tin over Copper underplate on PCB tails
- Electrical:
  - Operating voltage: 125 VAC max
  - Current rating: 1.5 Amps max
  - Contact resistance: 20 mohms max
  - Insulation resistance: 1,000 Mohms min @ 500 VDC
  - Dielectric withstanding voltage: 1,000 VAC for 1 minute
- Temperature Rating:
  - Operating temperature: -40°C to +85°C
- Environmental: Lead free, RoHS compliant.

X	PLATING
0	15 µin Gold
1	30 µin Gold
2	50 µin Gold

UNLESS OTHERWISE SPECIFIED  
 ALL DIMENSIONS ARE INCHES [MM]  
 TOLERANCES: EXCEPT AS NOTED  
 INCHES HOLE ±.10  
 .X ±.10 ØX ±.015  
 .XX ±.020 ØXX ±.015  
 .XXX ±.015 ØXXX ±.010  
 APPROVALS DATE

**ADAM TECH**

909 Rahway Avenue, Union, NJ 07083  
 Phone: 908-687-5000 Fax: 908-687-5710

TITLE: MODULAR TELEPHONE JACK, 6P4C  
 RIGHT ANGLE, PCB

DRAWN	LPH	09/13/00
CHECKED		
APPROVED		

SIZE	PART NO.	REV.
X	MTJ-640X1	A
REF:	S00036C	SHEET 1 OF 1
SCALE:	NTS	

6

5

4

3

2

1

