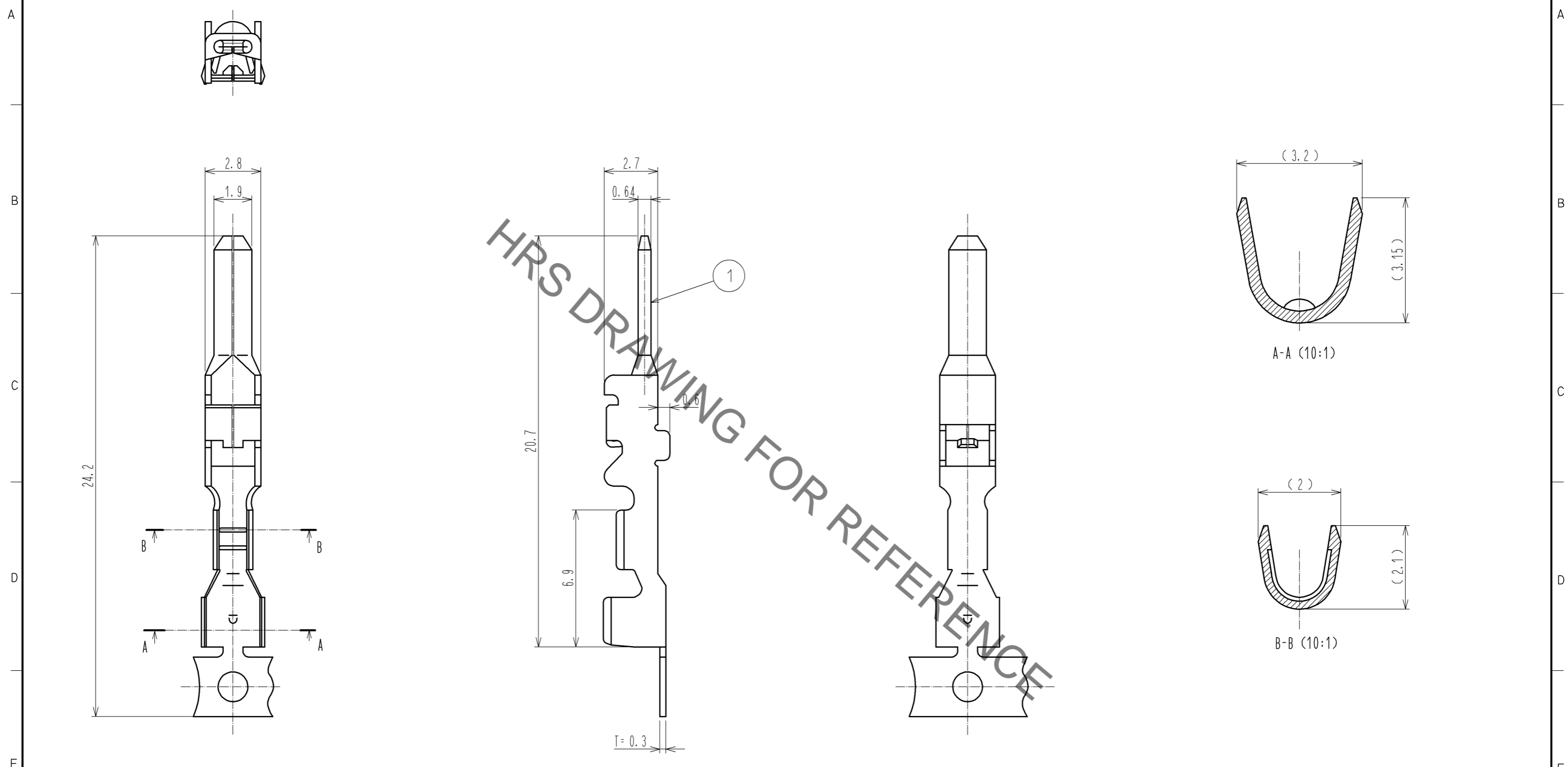


Aug.1.2022 Copyright 2022 HIROSE ELECTRIC CO., LTD. All Rights Reserved.
 In case of consideration for using Automotive equipment / device which demand high reliability, kindly contact our sales window correspondents.

ELV. RoHS COMPLIANT



HRS DRAWING FOR REFERENCE

Note1: The number of the terminal is 5000pcs per reel.
 Note2: The applicable cable sizes are AV, AVS and AVSS 0.3~0.5.

1	BRASS	TIN PLATING T=0.3				
NO.	MATERIAL	FINISH .	REMARKS			
UNITS mm		SCALE 5 : 1	COUNT 	DESCRIPTION OF REVISIONS	DESIGNED	CHECKED
HIROSE ELECTRIC CO., LTD.				APPROVED : AR. SHIRAI	10.04.02	DRAWING NO.
				CHECKED : TY. TAKAHASHI	10.04.01	PART NO.
				DESIGNED : TY. SAKASHITA	10.03.30	CODE NO.
				DRAWN : KT. MATSUDA	10.03.30	
						EDC3-084043-01
						GT7-2022PCF(70)
						CL757-0002-4-70
						1/1