

**OBSOLETE PRODUCT  
 POSSIBLE SUBSTITUTE PRODUCT  
 HI-222/883**

May 1999

## High Frequency/Video Switch

### Features

- Wideband Operation ..... 200MHz
- Differential Gain ..... 0.03%
- Differential Phase ..... 0.003 Degrees
- Switching Speed ..... 100ns
- $r_{ON}$  ..... 35Ω
- Off Isolation at 10MHz ..... -65dB
- Crosstalk at 10MHz ..... -80dB

### Applications

- Routing Switchers
- Medical Imaging
- Production Mixers
- Heads-Up Displays
- High Definition TV
- Simulators
- Radar Signal Conditioning
- Sonar

### Related Literature

- HI-222/883 Data Sheet in 1989 Military Analog Data Book

### Description

The HI-222 is a high frequency analog switch that complements the Harris family of high speed op amps and buffers. Fabricated with our Dielectric Isolation process and using silicon gate technology, many key parameters have been enhanced.

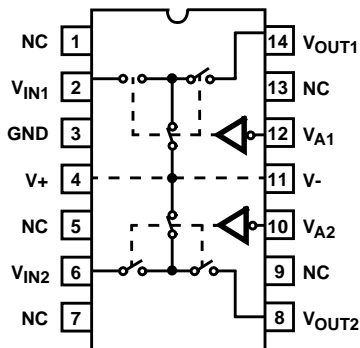
Crosstalk and off isolation are optimized with a T-switch configuration and the use of nonconnected pins for extended shielding. Other features of the HI-222 include wideband operation, low  $r_{ON}$ , fast switching speeds and low differential gain and phase. The characteristics of this TTL compatible device make it ideal for designs where improved switching performance is required.

The primary application of this dual SPST switch is the routing of high frequency signals in equipment ranging from video production mixers to military RF circuits.

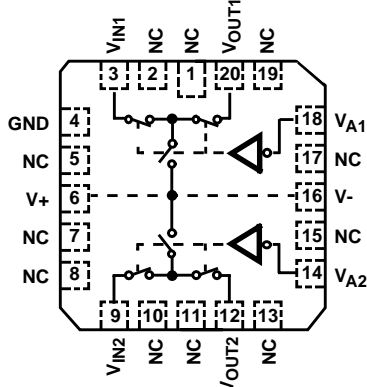
For specifications on HI-222/883, refer to Harris Military Analog Data book.

### Pinouts

HI-222 (CERDIP, PDIP) (LOGIC "1" INPUT)  
TOP VIEW



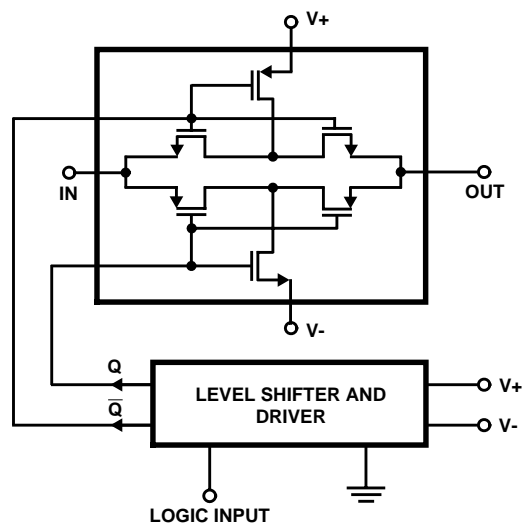
HI-222 (CLCC/PLCC) (LOGIC "0" INPUT)  
TOP VIEW



### Part Number Information

PART NUMBER	TEMP. RANGE (°C)	PACKAGE	PKG. NO.
HI4P0222-5	0 to 75	20 Ld PLCC	N20.35
HI1-0222-5	0 to 75	14 Ld CERDIP	F14.3
HI3-0222-5	0 to 75	14 Ld PDIP	E14.3

### Functional Diagram



NOTE: Source and Drain are arbitrarily depicted as Analog Input and Output, respectively. They may be interchanged without affecting performance. All nonconnected pins should be tied to ground.

# HI-222

## Absolute Maximum Ratings $T_A = 25^\circ\text{C}$

Supply Voltage (V+ to V-) (Terminals) . . . . .	36V
$\pm V_S$ to Ground (V+ to V-) . . . . .	$\pm 18\text{V}$
Digital Analog Input Voltage ( $V_A$ , $V_S$ , $V_D$ ) . . . . .	$\pm V_S \pm 2\text{V}$
$I_{PEAK}$ (S to D) (Pulse at 0.8ms, 10% Duty Cycle Max) . . . . .	100mA
$I_{PEAK}$ (Any Pin, 50% Duty Cycle) . . . . .	28mA
Continuous Current (Any Pin) . . . . .	15mA
ESD Rating . . . . .	<2000V

## Thermal Information

Thermal Resistance (Typical, Note 1)	$\theta_{JA}$ ( $^\circ\text{C}/\text{W}$ )	$\theta_{JC}$ ( $^\circ\text{C}/\text{W}$ )
CERDIP Package . . . . .	80	30
CLCC Package . . . . .	70	18
PDIP Package . . . . .	90	N/A
PLCC Package . . . . .	75	N/A
Maximum Junction Temperature (Hermetic Package) . . . . .	175 $^\circ\text{C}$	
Maximum Junction Temperature (Plastic Package) . . . . .	150 $^\circ\text{C}$	
Maximum Storage Temperature Range . . . . .	-65 $^\circ\text{C}$ to 150 $^\circ\text{C}$	
Maximum Lead Temperature (Soldering 10s) . . . . .	300 $^\circ\text{C}$ (PLCC - Lead Tips Only)	

## Operating Conditions

Temperature Range, HI-222-5 . . . . . 0 $^\circ\text{C}$  to 75 $^\circ\text{C}$

*CAUTION: Stresses above those listed in "Absolute Maximum Ratings" may cause permanent damage to the device. This is a stress only rating and operation of the device at these or any other conditions above those indicated in the operational sections of this specification is not implied.*

### NOTE:

- $\theta_{JA}$  is measured with the component mounted on an evaluation PC board in free air.

## Electrical Specifications $\pm V_S = \pm 15\text{V}$ , $V_{AH} = 2.0\text{V}$ , $V_{AL} = 0.8\text{V}$ , Unless Otherwise Specified

PARAMETER	TEMP ( $^\circ\text{C}$ )	HI-222-5			UNITS
		MIN	TYP	MAX	
<b>ANALOG SWITCH CHARACTERISTICS</b>					
$V_S$ , Analog Signal Range	Full	-15	-	+15	V
$r_{ON}$ , ON Resistance (Note 2)	25	-	35	50	$\Omega$
	Full	-	-	75	$\Omega$
$I_{SOFF}$ Leakage	25	-	0.1	2.5	nA
	Full	-	-	200	nA
$I_{DOFF}$ Leakage	25	-	0.1	2.5	nA
	Full	-	-	200	nA
$I_{DON}$ Leakage	25	-	0.3	2.5	A
	Full	-	-	200	nA
<b>DIGITAL INPUT CHARACTERISTICS</b>					
$V_{AL}$ , Low Threshold	Full	-	-	0.8	V
$V_{AH}$ , High Threshold	Full	2.0	-	-	V
$I_{AL}$ , Low Level Leakage	25	-	0.1	1.0	$\mu\text{A}$
	Full	-	-	1.0	$\mu\text{A}$
$I_{AH}$ , High Level Leakage	25	-	0.1	1.0	$\mu\text{A}$
	Full	-	-	1.0	$\mu\text{A}$
<b>SWITCHING CHARACTERISTICS</b>					
$t_{ON}$ (Note 3)	25	-	100	200	ns
$t_{OFF}$ (Note 3)	25	-	70	200	ns
Off-Isolation at 10MHz (Note 4)	25	-	-65	-	dB
Crosstalk at 10MHz (Note 4)	25	-	-80	-	dB
Differential Gain (Note 5)	25	-	0.03	-	%
Differential Phase (Note 5)	25	-	0.003	-	De-grees

# HI-222

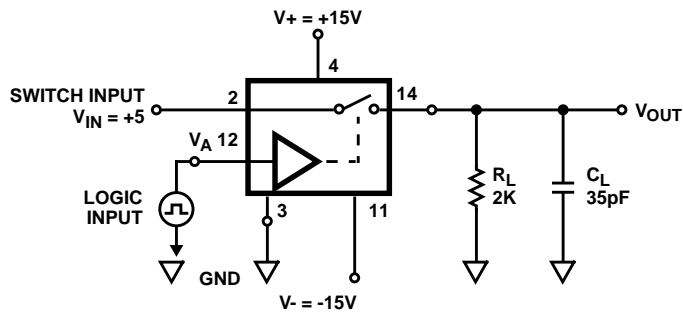
## Electrical Specifications $\pm V_S = \pm 15V$ , $V_{AH} = 2.0V$ , $V_{AL} = 0.8V$ , Unless Otherwise Specified (Continued)

PARAMETER	TEMP (°C)	HI-222-5			UNITS
		MIN	TYP	MAX	
Gain Tolerance At 1MHz (Note 6)	25	-	0.05	-	dB
At 8MHz	25	-	0.15	-	dB
Bandwidth (Note 6)	25	-	200	-	MHz
$C_{S(OFF)}$ , Switch Input Capacitance	25	-	12	-	pF
$C_{D(OFF)}$ , Switch Output Capacitance	25	-	28	-	pF
$C_{D(ON)}$ , Switch Output Capacitance	25	-	83	-	pF
$C_{A(ON)}$ , Switch Output Capacitance	25	-	5	-	pF
$C_{DS(OFF)}$ , Drain-to-Source Capacitance	25	-	0.2	-	pF
<b>POWER REQUIREMENTS</b>					
$1\pm$ at $\pm 15V$ Quiescent Current	25	-	2.5	4.0	mA
	Full	-	-	6.0	mA
$P_D$ , Quiescent Power Dissipation	25	-	75	120	mW
	Full	-	-	180	mW

### NOTES:

- As with all semiconductors, stresses listed under "Absolute Maximum Ratings" may be applied to devices (one at a time) without resulting in permanent damage. This is a stress rating only. Exposure to absolute maximum rating conditions for extended periods may affect device reliability. The conditions listed under "Electrical Specifications" are the only conditions recommended for satisfactory operation.
- $V_{OUT} = \pm 5V$ ,  $I_{OUT} = 7.5mA$ .
- $V_{IN} = +5V$ ,  $R_L = 2k\Omega$ ,  $C_L = 40pF$ .  $V_A$  levels are 0.0V to 3.0V for switch under test. Switch not under test has  $V_A = 4.0V$ .
- $V_{IN} = 300mV_{P-P}$ ,  $R_L = 50\Omega$ ,  $V_{AH} = +2.0V$ ,  $V_{AL} = 0.8$ ,  $f = 10MHz$ .
- $V_{IN} = 300mV_{P-P}$ ,  $V_{OFFSET} = 1.0$ ,  $f = 3.58MHz$  and  $4.43MHz$ ,  $V_{AL} = 0.V$ ,  $R_L = 2k\Omega$ .
- $V_{IN} = 300mV_{P-P}$ ,  $R_L = 50\Omega$ ,  $V_{AL} = 0.8V$ .

## Test Circuits

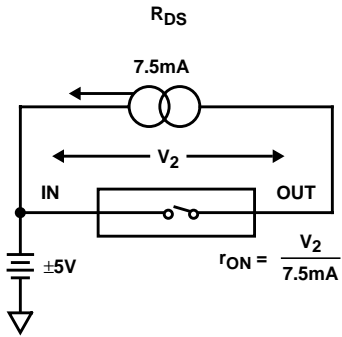


$$V_O = V_{IN} \frac{R_L}{R_L + r_{ON}}$$

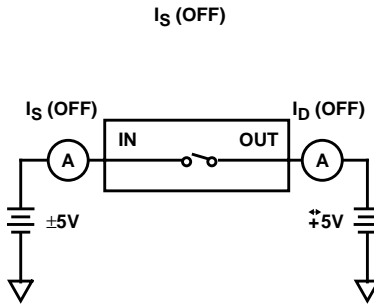
$C_L$  Includes  $C_{FIXTURE} + C_{PROBE}$

FIGURE 1. SWITCHING TEST CIRCUIT ( $t_{ON}$ ,  $t_{OFF1}$ )

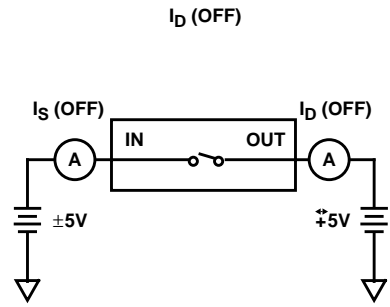
Test Circuits (Continued)



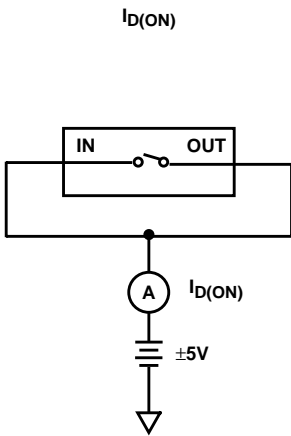
$V_{IN} = \pm 5V, I = 7.5mA, V_A = 0.8V$



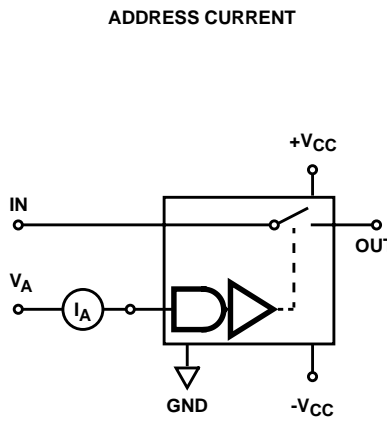
$V_{IN} = \pm 5V, V_{OUT} = \mp 5V, V_A = 2.0V$



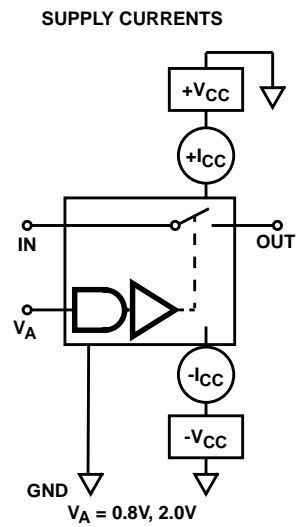
$V_{IN} = \pm 5V, V_{OUT} = \mp 5V, V_A = 2.0V$



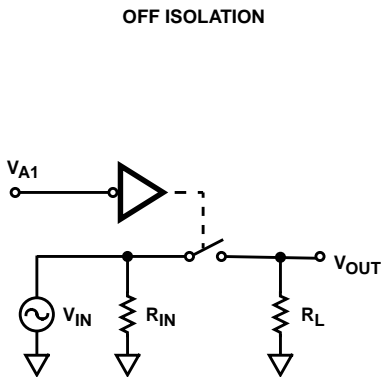
$V_{IN} = \pm 5V, V_{OUT} = \pm 5V, V_A = 0.8V$



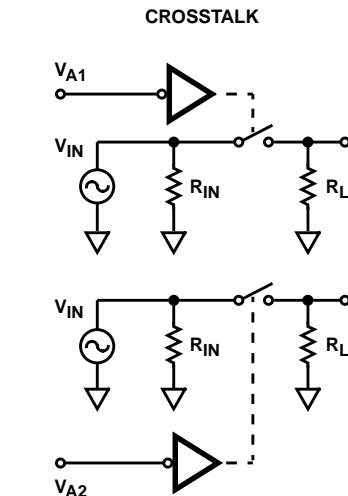
$V_{AH} = 2.0V, V_{AL} = 0.8V$



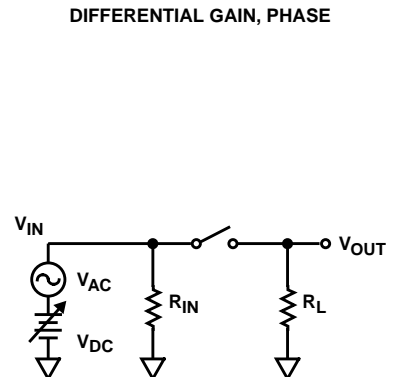
$V_A = 0.8V, 2.0V$



$V_{IN} = 300mV_{p-p}, f = 10MHz, R_{IN} = R_L = 50\Omega, V_{A1} = 2.0V$



$V_{IN} = 300mV_{p-p}, f = 10MHz, R_{IN} = R_L = 50\Omega, V_{A1} = 2.0V, V_{A2} = 0.8V$



$V_{AC} = 300mV_{p-p}, f = 3.58MHz \text{ AND } 4.43MHz, V_{DC} = 0.0V \text{ TO } 1.0V, R_L = 2k\Omega, R_{IN} = 50\Omega$

Switching Waveforms

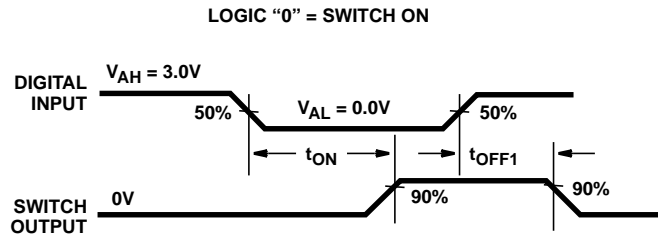
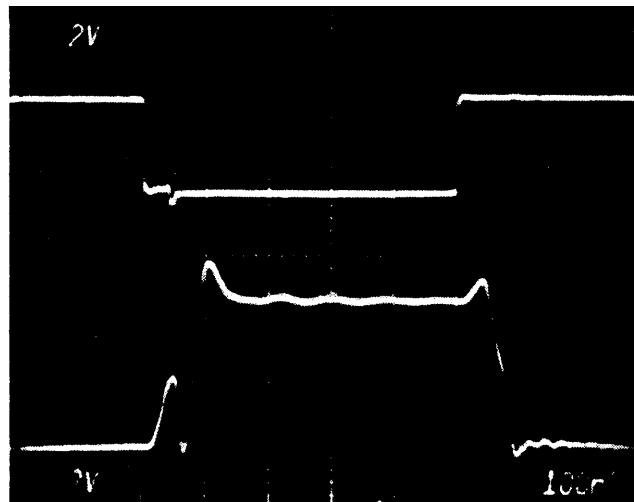


FIGURE 2. LOGIC "0" = SWITCH ON



TOP: (2V/DIV.)  
 BOTTOM: OUTPUT (2V/DIV.)  
 HORIZONTAL: 100ns/DIV.

FIGURE 3.  $t_{ON}$ ,  $t_{OFF}$ ,  $V_{AL} = 0.0V$ ,  $V_{AH} = 3.0V$

**Typical Performance Curves**

Unless Otherwise Specified:  $T_A = 25^\circ\text{C}$ ,  $V_{S\text{UPPLY}} = \pm 15\text{V}$

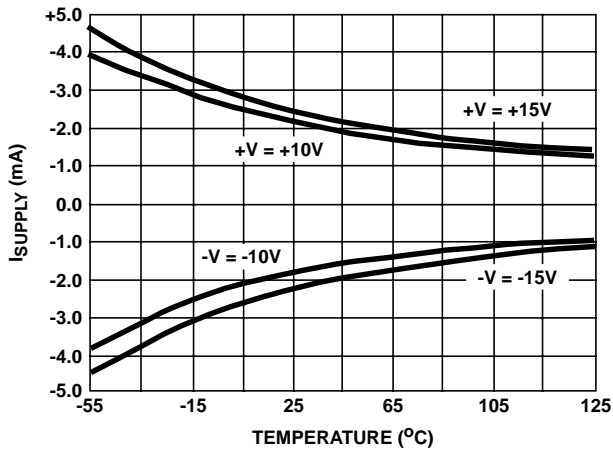


FIGURE 4. SUPPLY CURRENT vs TEMPERATURE vs SUPPLY VOLTAGE

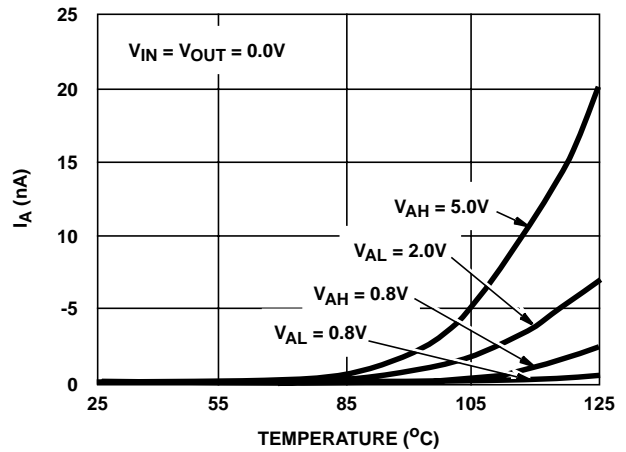


FIGURE 5. STEADY STATE ADDRESS INPUT CURRENT vs TEMPERATURE

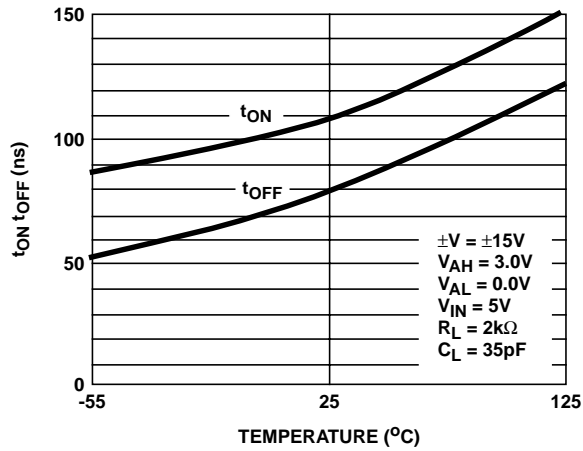


FIGURE 6. SWITCHING TIME vs TEMPERATURE

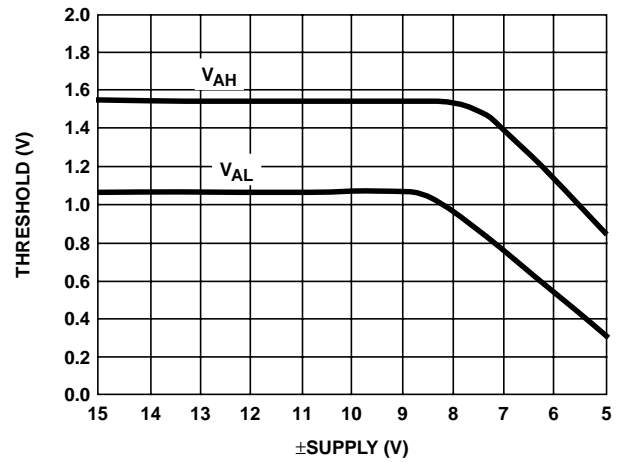


FIGURE 7. SWITCHING THRESHOLD vs  $\pm$ SUPPLY VOLTAGE

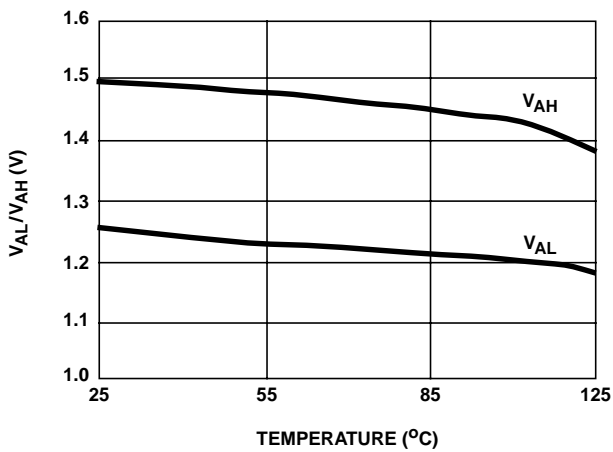


FIGURE 8. ADDRESS INPUT THRESHOLD vs TEMPERATURE

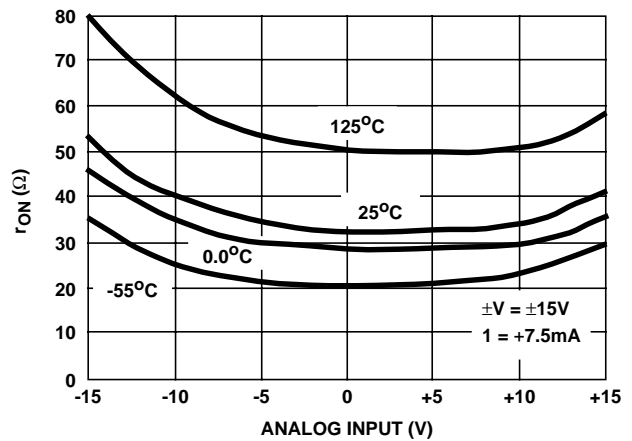


FIGURE 9.  $r_{ON}$  vs ANALOG INPUT vs TEMPERATURE

**Typical Performance Curves**

Unless Otherwise Specified:  $T_A = 25^\circ\text{C}$ ,  $V_{S\text{UPPLY}} = \pm 15\text{V}$  (Continued)

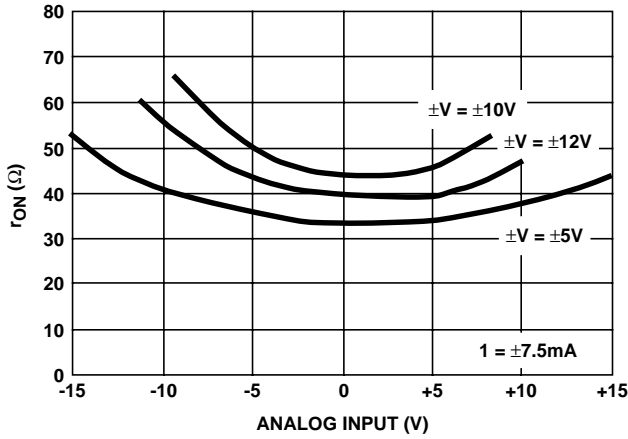


FIGURE 10.  $r_{ON}$  vs ANALOG INPUT vs SUPPLY VOLTAGE

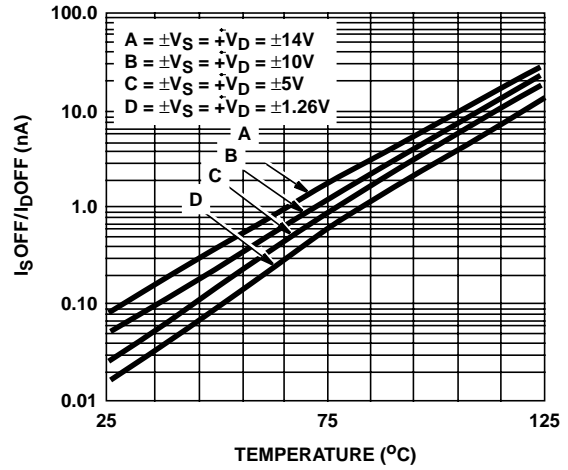


FIGURE 11.  $I_{SOFF}/I_{DOFF}$  vs TEMPERATURE vs ANALOG INPUT

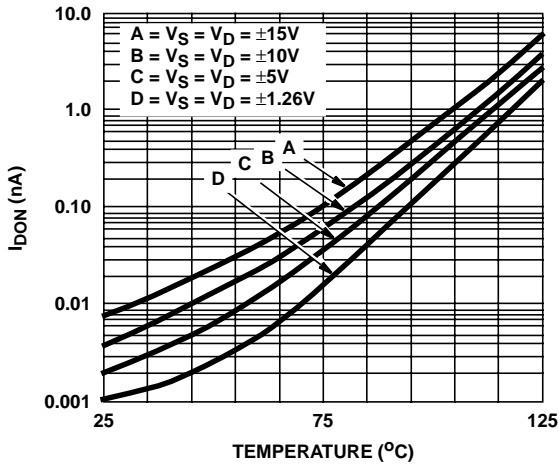


FIGURE 12.  $I_{DON}$  vs TEMPERATURE vs ANALOG INPUT

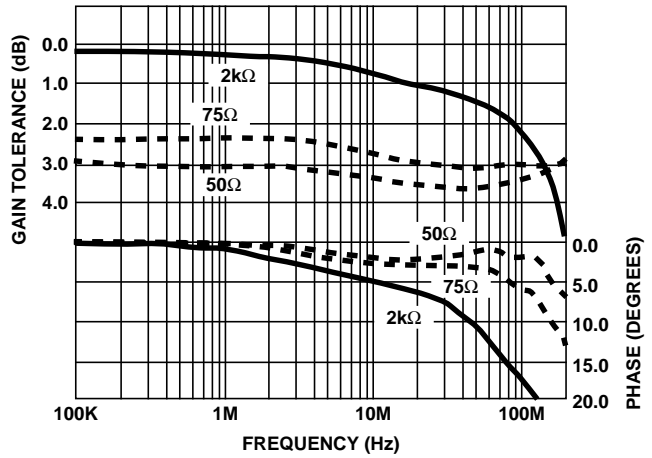


FIGURE 13. BANDWIDTH

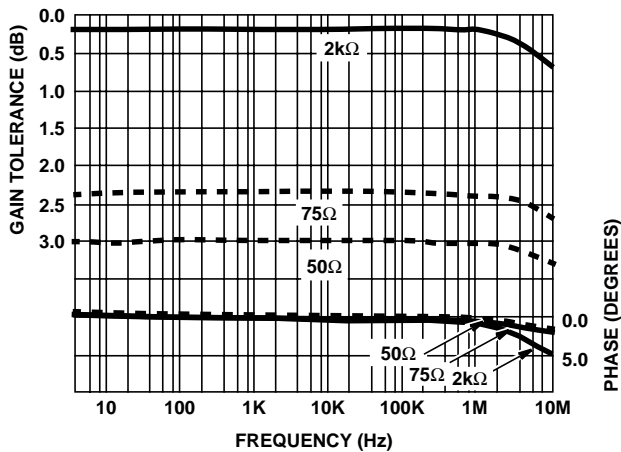


FIGURE 14. GAIN TOLERANCE

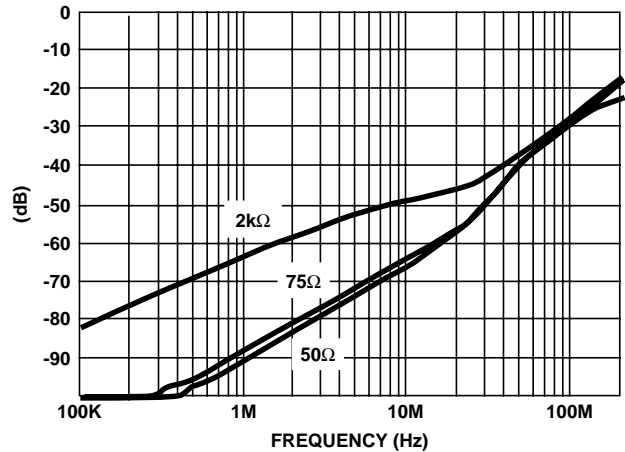
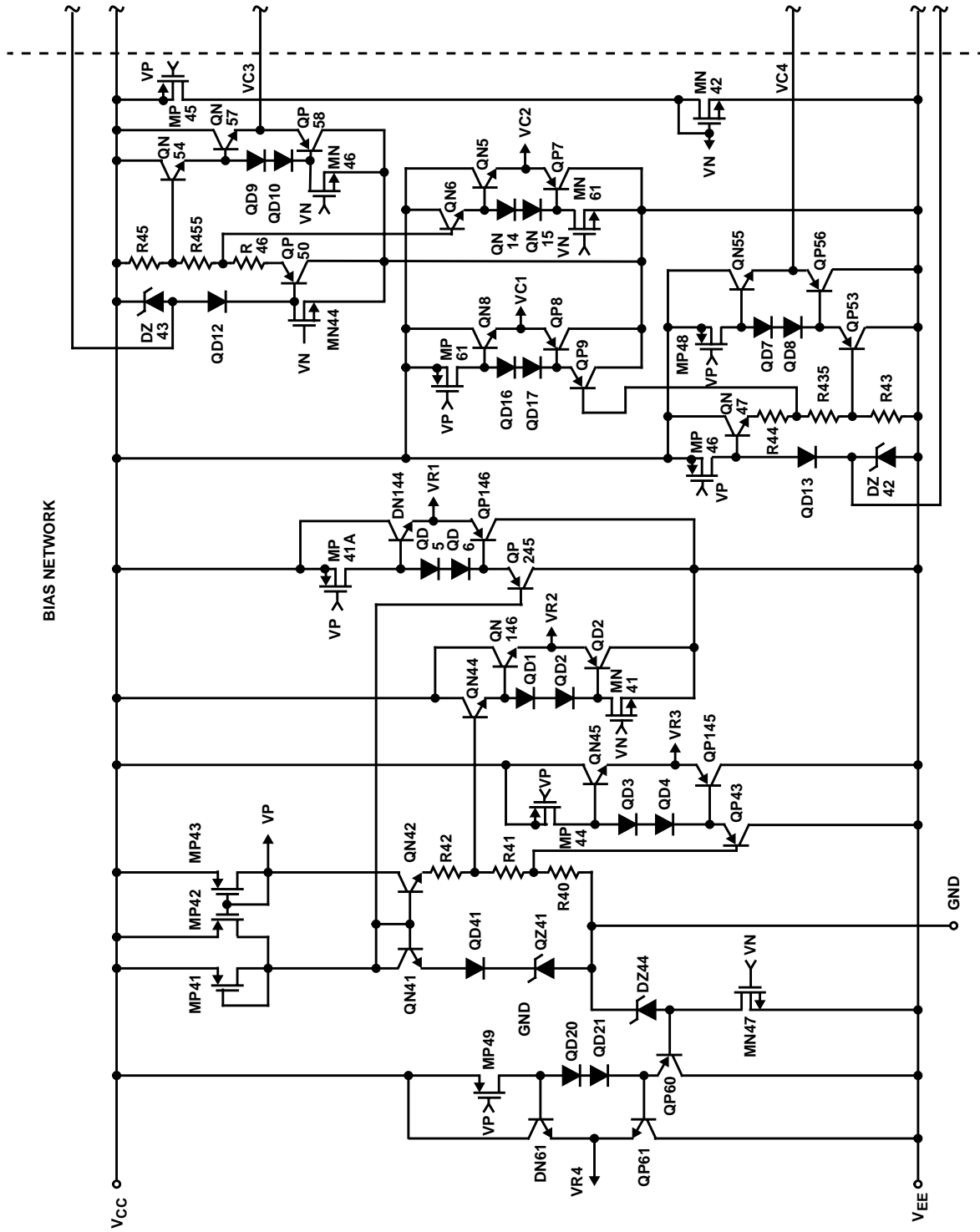


FIGURE 15. OFF ISOLATION



Schematic Diagram





Schematic Diagram (Continued)

