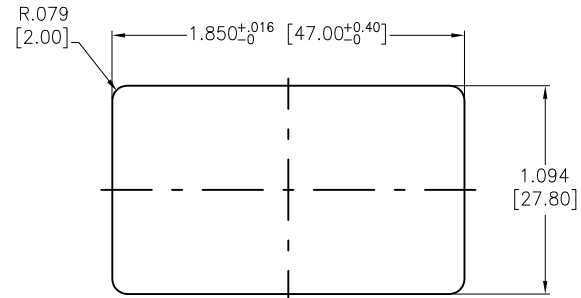
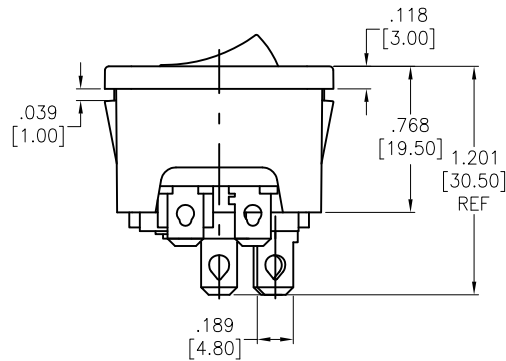
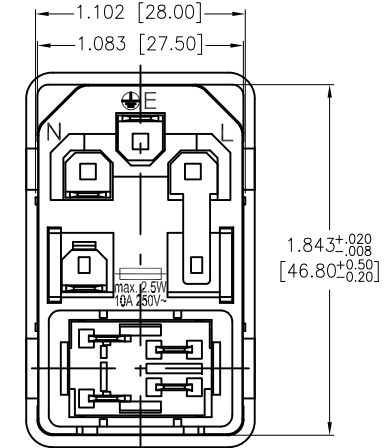
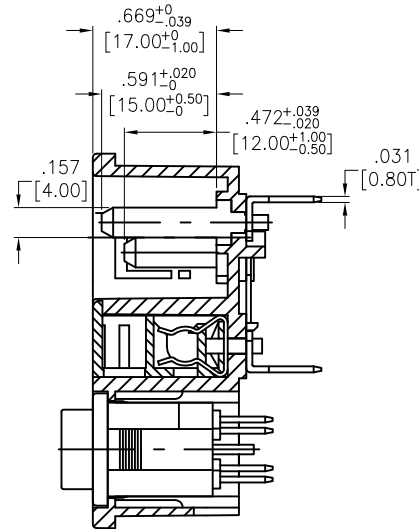
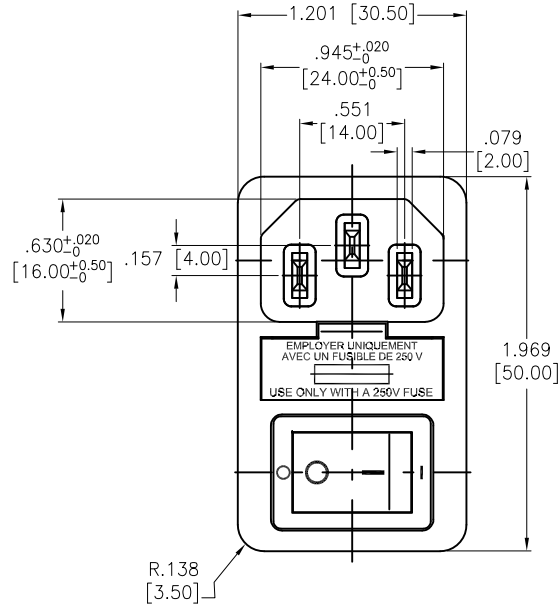


APPROVED: _____
 DATE: _____ TITLE: _____

Rev	AWO #	Description	Date	Appr
-		RELEASED	12/08/09	
A		UPDATE DRAWING	9/7/20	LH/KC
B		UPDATE DRAWING	11/4/20	SS
C		UPDATE DRAWING	6/29/21	JJ/SS



RECOMMENDED PANEL CUT-OUT

SPECIFICATIONS:

Material:
 Insulator: Thermoplastic, rated UL 94V-0
 Insulator color: Black
 Contacts: Copper Alloy
 Plating:
 Tin over Copper underplate
 Electrical:
 Rating: 6A 250VAC & 12A 125VAC (UL)
 4(1)A 250VAC (VDE . ENEC10)

RECOMMENDED FUSE SIZE
 5X20mm
 2.5W, 10A, 250V
 Fuse drawer accepts 1 Fuse only

Contact resistance: <20 mohms max (Initial)
 Insulation resistance: 100 Mohms @ 500 VDC between open contacts
 Dielectric withstanding voltage: 2,000 VAC for 1 minute

Environmental:
 Lead free, RoHS compliant.

UNLESS OTHERWISE SPECIFIED ALL DIMENSIONS ARE INCHES [MM]. TOLERANCES: EXCEPT AS NOTED		909 Rahway Avenue, Union, NJ 07083 Phone: 908-687-5000 Fax: 908-687-5710															
<table border="1"> <thead> <tr> <th colspan="2">INCHES</th> <th colspan="2">HOLES</th> </tr> </thead> <tbody> <tr> <td>.x</td> <td>±.10</td> <td>∅x</td> <td>±.10</td> </tr> <tr> <td>.xx</td> <td>±.020</td> <td>∅xx</td> <td>±.015</td> </tr> <tr> <td>.xxx</td> <td>±.015</td> <td>∅xxx</td> <td>±.010</td> </tr> </tbody> </table>				INCHES		HOLES		.x	±.10	∅x	±.10	.xx	±.020	∅xx	±.015	.xxx	±.015
INCHES		HOLES															
.x	±.10	∅x	±.10														
.xx	±.020	∅xx	±.015														
.xxx	±.015	∅xxx	±.010														
DRAWN	DY	12/8/9	TITLE														
CHECKED			IEC CONNECTOR, ISOLATED FUSE, 1.0MM SNAP IN PANEL, .187" [4.8] QC TERMINAL														
APPROVED			SIZE X PART NO. IEC-GS-1-100 REV. C														
THIS DRAWING CONTAINS INFORMATION THAT IS PROPRIETARY AND SHOULD NOT BE USED WITHOUT PRIOR WRITTEN PERMISSION FROM ADAM TECH		REF: S00060T	SCALE: NTS SHEET 1 OF 1														

6

5

4

3

2

1

6

5

4

3

2

1

D

C

B

A

D

C

B

A