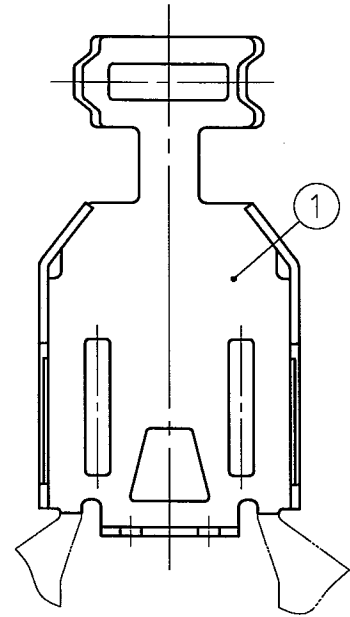


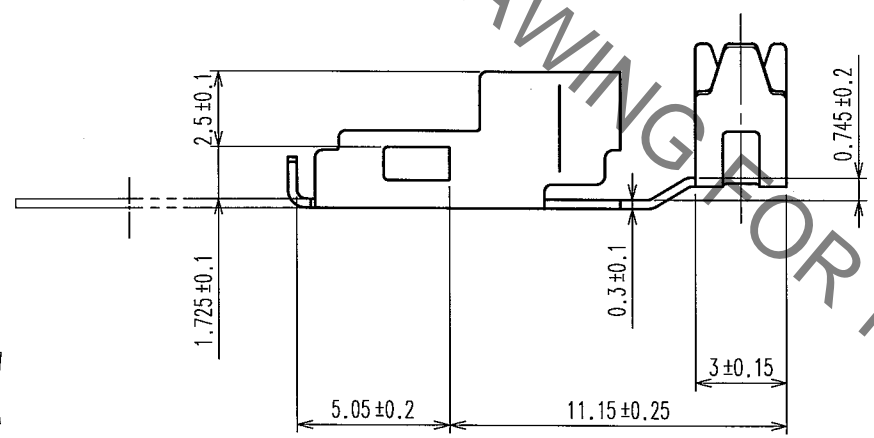
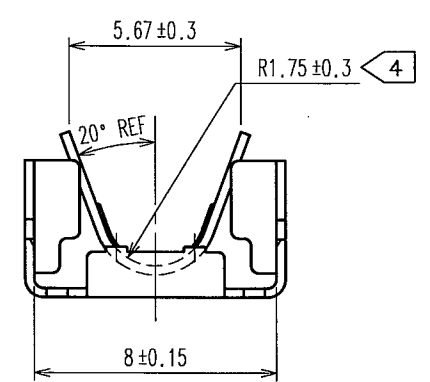
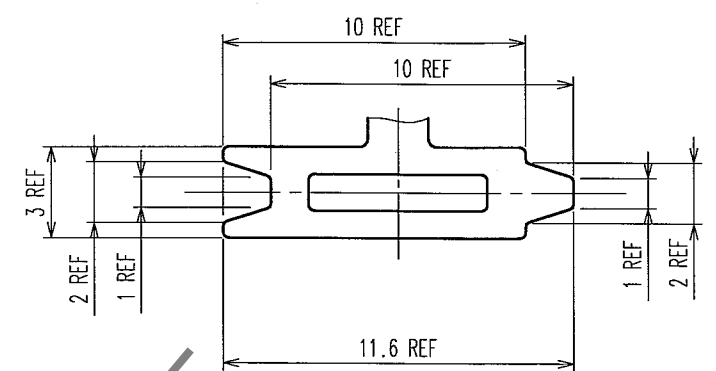
Aug.1.2022 Copyright 2022 HIROSE ELECTRIC CO., LTD. All Rights Reserved.
 In case of consideration for using Automotive equipment / device which demand high reliability, kindly contact our sales window correspondents.

1 2 3 4 5 6 7 8

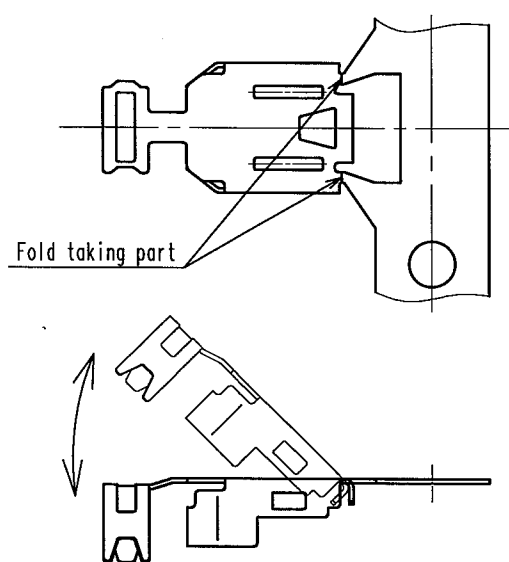
A
B
C
D
E
F



4 Fig - 3 DEVELOPMENT OF A CLAMPING PART

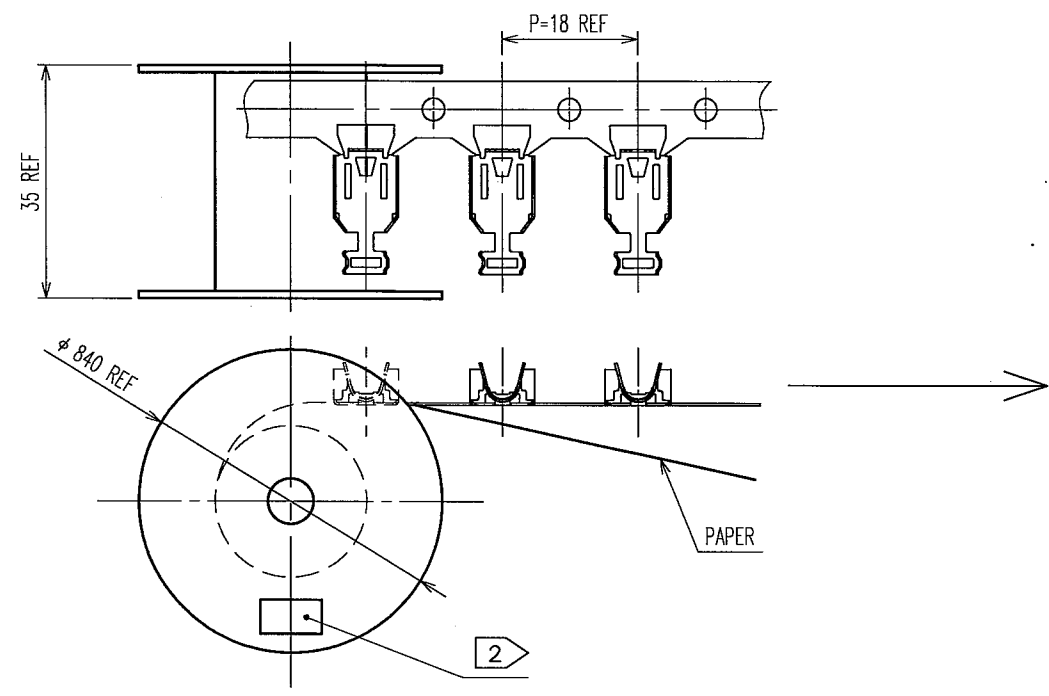


3 Fig - 2 CUT OFF A CAREER



COUNT	DESCRIPTION OF REVISIONS	BY	CHKD	DATE	COUNT	DESCRIPTION OF REVISIONS	BY	CHKD	DATE
△					△				
△					△				
△					△				

1 Fig - 1 REELING



- NOTES
- 1 This is delivered by a reel.QTY:4000pcs
 - 2 Shown on a reel and a box is ; " Part No.," " Code No.," " Lot No.," " QTY"
 - 3 Cut off a career as shown in fig-2.
 - 4 This cable-clamping part is applied to φ 3.3mm cable.

TO

1	STAINLESS STEEL	
NO.	MATERIAL	FINISH, REMARKS

CODE NO. (OLD)	DRAWN	DESIGNED	CHECKED	APPROVED	RELEASED
	<i>Y. Takeuchi</i>	<i>Y. Takeuchi</i>	<i>H. Hongo</i>	<i>H. Hongo</i>	
	06.11.21	06.11.21	06.11.21	06.11.21	
DRAWING NO.	PART NO.				
EDC3-126152	ZX40-SLDB(3.3)				
SCALE	CODE NO.				
4 : 1	CL242-0023-4				
UNITS					
mm					

1 2 3 4 5 6 7 8