

4-Bit Bidirectional Voltage-Level Translator with Auto Direction Sensing and $\pm 4kV$ ESD Protection

UM3304 CSP12 1.9×1.4

UM3304Q QFN14 3.5×3.5

UM3304QS QFN14 3.5×3.5

UM3304QT QFN16 2.6×1.8

UM3304QA QFN12 1.7×2.0

General Description

UM3304/UM3304Q/UM3304QS/UM3304QT/UM3304QA is quad channel level translator with auto direction sensing and $\pm 4kV$ ESD protection. This 4-channel non-inverting translator uses two separate configurable power-supply rails. The A port is designed to track V_{CCA} . V_{CCA} accepts any supply voltage from 1.2V to 3.6V. The B port is designed to track V_{CCB} . V_{CCB} accepts any supply voltage from 1.65V to 5.5V. This allows for universal low-voltage bidirectional translation between any of the 1.2V, 1.5V, 1.8V, 2.5V, 3.3V, and 5V voltage nodes. Both I/O ports are auto-sensing; thus, no direction pin is required, making it ideal for data transfer between low-voltage ASICs/PLDs and higher voltage systems.

The UM3304/UM3304Q/UM3304QS/UM3304QT/UM3304QA operates at a guaranteed data rate of 20Mbps over the entire specified operating voltage range. Within specific voltage domains, higher data rates are up to 100Mbps.

When the output-enable (OE) input is low, all outputs are placed in the high-impedance state. The UM3304/UM3304Q/UM3304QS/UM3304QT/UM3304QA is designed so that the OE input circuit is designed to track V_{CCA} .

To ensure the high-impedance state during power up or power down, OE should be tied to GND through a pull down resistor; the minimum value of the resistor is determined by the current-sourcing capability of the driver.

The UM3304 is a quad level translator available in 1.90mm×1.40mm CSP12 bump package while the UM3304Q/UM3304QS is packaged in a 3.50mm×3.50mm QFN14 package, the UM3304QT is packaged in a 2.60mm×1.80mm QFN16 package and the UM3304QA is packaged in 1.70mm×2.00mm QFN12 package.

Applications

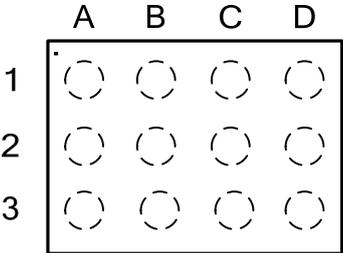
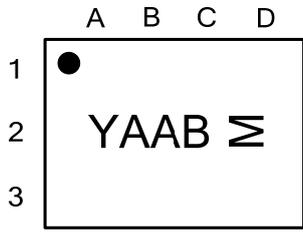
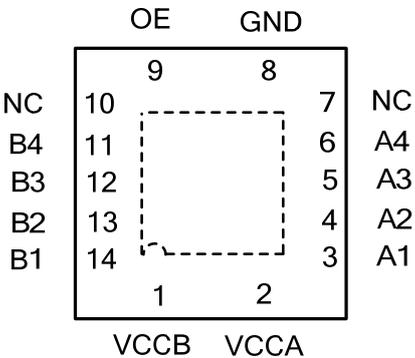
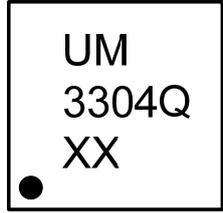
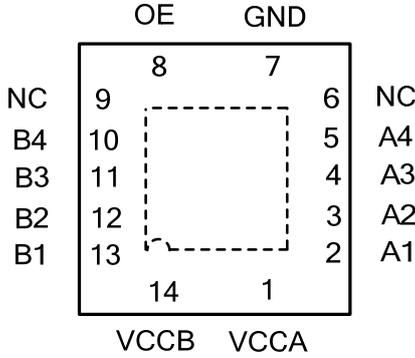
- Low-Voltage ASIC Level Translation
- Cell-Phone Cradles
- Portable POS Systems
- Portable Communication Devices
- Low-Cost Serial Interfaces
- Cell-Phones
- GPS
- Telecommunications Equipment

Features

- 1.2V to 3.6V on A Port and 1.65V to 5.5V on B Port ($V_{CCA} \leq V_{CCB}$)
- V_{CC} Isolation Feature – If Either V_{CC} Input is at GND, All Outputs are in the High-Impedance State
- OE Input Circuit Referenced to V_{CCA}
- Low Power Consumption
- Latch-Up Performance Exceeds 100mA
- $\pm 4kV$ ESD Protection on B Ports

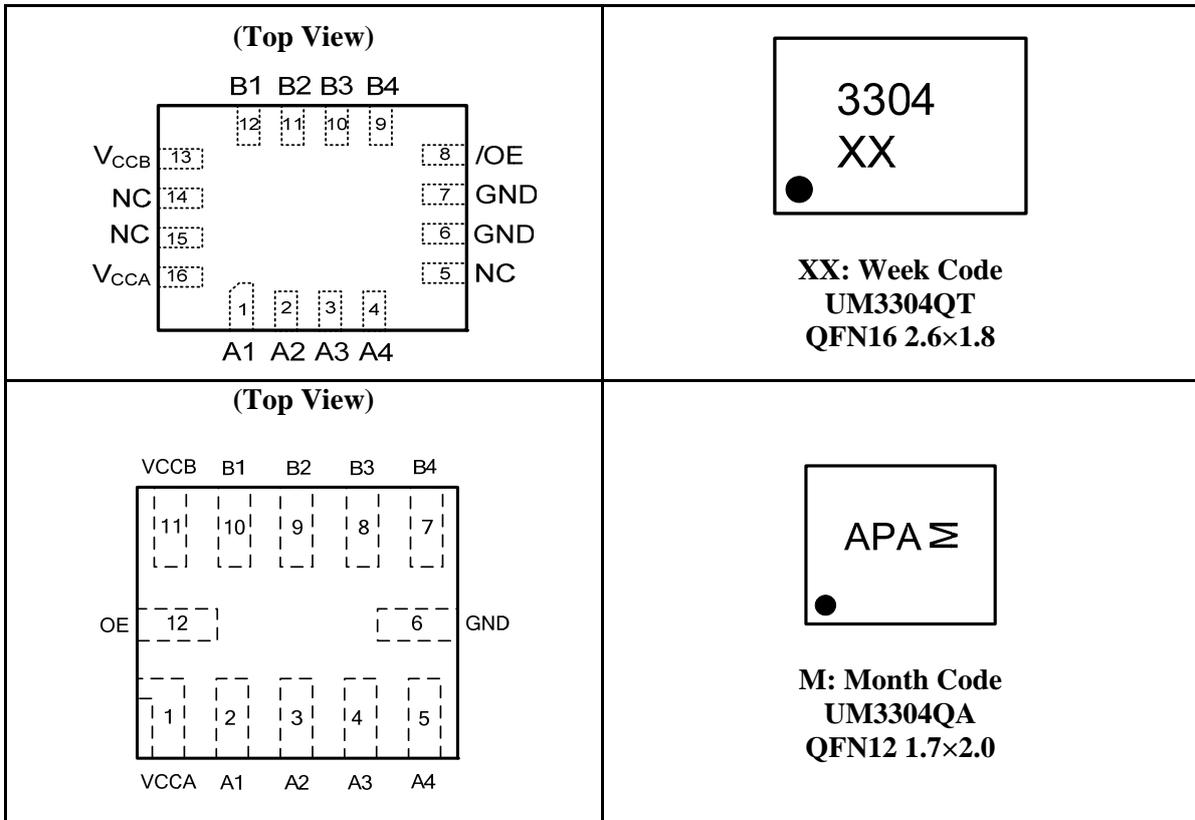
Pin Configurations

Top View

| | |
|---|---|
| <p style="text-align: center;">(Top View)</p>  |  <p>M: Month Code UM3304 CSP12 1.9×1.4</p> |
| <p style="text-align: center;">(Top View)</p>  |  <p>XX: Week Code UM3304Q QFN14 3.5×3.5</p> |
| <p style="text-align: center;">(Top View)</p>  |  <p>XX: Week Code UM3304QS QFN14 3.5×3.5</p> |

Pin Configurations

Top View



Ball Mapping for UM3304

| | A | B | C | D |
|---|------------------|------------------|----|-----|
| 1 | A1 | A2 | A3 | A4 |
| 2 | V _{CCB} | V _{CCA} | OE | GND |
| 3 | B1 | B2 | B3 | B4 |

Transparent Top View

Pin Description

| Pin Name | Function |
|------------------|---|
| V _{CCA} | A-Port Supply Voltage. $1.2V \leq V_{CCA} \leq 3.6V$ and $V_{CCA} \leq V_{CCB}$ |
| A1 | Input/Output 1. Referenced to V _{CCA} |
| A2 | Input/Output 2. Referenced to V _{CCA} |
| A3 | Input/Output 3. Referenced to V _{CCA} |
| A4 | Input/Output 4. Referenced to V _{CCA} |
| NC | Not Connected. (Except for UM3304) |
| GND | Ground |
| OE | 3-State Output Enable. Pull OE low to place all outputs in 3-state mode. Referenced to V _{CCA} |
| NC | Not Connected. (Except for UM3304) |
| B4 | Input/Output 4. Referenced to V _{CCB} |
| B3 | Input/Output 3. Referenced to V _{CCB} |
| B2 | Input/Output 2. Referenced to V _{CCB} |
| B1 | Input/Output 1. Referenced to V _{CCB} |
| V _{CCB} | B-Port Supply Voltage. $1.65V \leq V_{CCB} \leq 5.5V$ |
| NC | Not Connected. (Only for UM3304QT) |
| GND | Ground. (Only for UM3304QT) |

Ordering Information

| Part Number | Packaging Type | Marking Code | Shipping Qty |
|-------------|----------------|--------------|-------------------------------|
| UM3304 | CSP12 1.9×1.4 | YAAB | 3000pcs/7Inch Tape & Reel |
| UM3304Q | QFN14 3.5×3.5 | UM3304Q | 3000pcs/13Inch Tape & Reel |
| UM3304QS | QFN14 3.5×3.5 | UM3304QS | 3000pcs/13Inch Tape & Reel |
| UM3304QT | QFN16 2.6×1.8 | 3304 | 3000pcs/7Inch Tape & Reel |
| UM3304QA | QFN12 1.7×2.0 | APA | 3000pcs/7Inch Tape & Reel |

Absolute Maximum Ratings (Note 1)

Over operating free-air temperature range (unless otherwise noted)

| Symbol | Parameter | | Value | Unit |
|-----------|--|-----------|---------------------------|--------------------|
| V_{CCA} | Supply Voltage Range | | -0.5 to +4.5 | V |
| V_{CCB} | Supply Voltage Range | | -0.5 to +6.5 | V |
| V_I | Input Voltage Range | A ports | -0.5 to +4.5 | V |
| | | B ports | -0.5 to +6.5 | |
| V_O | Voltage Range Applied to Any Output in the High-Impedance or Power-Off State | A ports | -0.5 to +4.5 | V |
| | | B ports | -0.5 to +6.5 | |
| V_O | Voltage Range Applied to Any Output in the High or Low State (Note 2) | A ports | -0.5 to ($V_{CCA}+0.5$) | V |
| | | B ports | -0.5 to ($V_{CCB}+0.5$) | |
| I_{IK} | Input Clamp Current | $V_I < 0$ | -50 | mA |
| I_{OK} | Output Clamp Current | $V_O < 0$ | -50 | mA |
| I_O | Continuous Output Current | | ± 50 | mA |
| | Continuous Current through V_{CCA} , V_{CCB} , or GND | | ± 100 | |
| T_{OP} | Operating Temperature Range | | -40 to +85 | $^{\circ}\text{C}$ |
| T_{STG} | Storage Temperature Range | | -65 to +150 | $^{\circ}\text{C}$ |

Note 1. Stresses beyond those listed under "absolute maximum ratings" may cause permanent damage to the device. These are stress ratings only, and functional operation of the device at these or any other conditions beyond those indicated under "recommended operating conditions" is not implied. Exposure to absolute-maximum-rated conditions for extended periods may affect device reliability.

Note 2. The value of V_{CCA} and V_{CCB} are provided in the recommended operating conditions table.

Recommended Operating Conditions (Note 1, 2)

| Symbol | Parameter | | V_{CCA} | V_{CCB} | Min | Max | Unit |
|---------------------|--|---------------|--------------|---------------|---------------------------------|---------------------------------|------|
| V_{CCA} | Supply Voltage | | | | 1.2 | 3.6 | V |
| V_{CCB} | | | | | 1.65 | 5.5 | |
| V_{IH} | High Level Input Voltage | Data Inputs | 1.2V to 3.6V | 1.65V to 5.5V | $V_{CCI} \times 0.65^{(Note3)}$ | V_{CCI} | V |
| | | OE | 1.2V to 3.6V | 1.65V to 5.5V | $V_{CCA} \times 0.65$ | 5.5 | V |
| V_{IL} | Low Level Input Voltage | Data Inputs | 1.2V to 3.6V | 1.65V to 5.5V | 0 | $V_{CCI} \times 0.35^{(Note3)}$ | V |
| | | OE | 1.2V to 3.6V | 1.65V to 5.5V | 0 | $V_{CCA} \times 0.35$ | V |
| V_O | Voltage Range Applied to Any Output in the High-Impedance or Power-Off State | A-Port | 1.2V to 3.6V | 1.65V to 5.5V | 0 | 3.6 | V |
| | | B-Port | | | 0 | 5.5 | |
| $\Delta t/\Delta V$ | Input Transition Rise or Fall Time | A-Port Inputs | 1.2V to 3.6V | 1.65V to 5.5V | | 40 | ns/V |
| | | B-Port Inputs | 1.2V to 3.6V | 1.65V to 3.6V | | 40 | |
| | | | | 4.5V to 5.5V | | 30 | |

Note 1. The A and B sides of an unused data I/O pair must be held in the same state, i.e., both at V_{CCI} or both at GND.

Note 2. V_{CCA} must be less than or equal to V_{CCB} and must not exceed 3.6 V.

Note 3. V_{CCI} is the supply voltage associated with the input port.

Electrical Characteristics (Note 1, 2)

Over recommended operating free-air temperature range (unless otherwise noted)

| Parameter | Test Conditions | V _{CCA} | V _{CCB} | T _A =25°C | | -40°C to 85°C | | Unit | |
|------------------------------------|--|---|------------------|----------------------|-----|-----------------------|-----|------|----|
| | | | | Min | Max | Min | Max | | |
| V _{OHA} | I _{OH} =-20μA | 1.2V | | 1.1 | | V _{CCA} -0.4 | | V | |
| | | 1.4V to 3.6V | | | | | | | |
| V _{OLA} | I _{OL} =20μA | 1.2V | | 0.9 | | 0.4 | | V | |
| | | 1.4V to 3.6V | | | | | | | |
| V _{OHB} | I _{OH} =-20μA | | 1.65V to 5.5V | | | V _{CCB} -0.4 | | V | |
| V _{OLB} | I _{OL} =20μA | | 1.65V to 5.5V | | | 0.4 | | V | |
| I _I | OE | V _I =V _{CC1} or GND | 1.2V to 3.6V | 1.65V to 5.5V | ±1 | | ±2 | | μA |
| I _{off} | A Port | V _I or V _O =0 to 3.6V | 0V | 0V to 5.5V | ±1 | | ±2 | | μA |
| | B Port | V _I or V _O =0 to 5.5V | 0V to 3.6V | 0V | ±1 | | ±2 | | |
| I _{OZ} | A or B Port | OE=GND | 1.2V to 3.6V | 1.65V to 5.5V | ±1 | | ±2 | | μA |
| I _{CCA} | V _I =V _{CC1} or GND I _O =0 | 1.2V | 1.65V to 5.5V | 0.06 | | | | μA | |
| | | 1.4V to 3.6V | 1.65V to 5.5V | | | 5 | | | |
| | | 3.6V | 0V | | | 2 | | | |
| | | 0V | 5.5V | | | -2 | | | |
| I _{CCB} | V _I =V _{CC1} or GND I _O =0 | 1.2V | 1.65V to 5.5V | 3.4 | | | | μA | |
| | | 1.4V to 3.6V | 1.65V to 5.5V | | | 5 | | | |
| | | 3.6V | 0V | | | -2 | | | |
| | | 0V | 5.5V | | | 2 | | | |
| I _{CCA} +I _{CCB} | V _I =V _{CC1} or GND I _O =0 | 1.2V | 1.65V to 5.5V | 3.5 | | | | μA | |
| | | 1.4V to 3.6V | 1.65V to 5.5V | | | 10 | | | |
| I _{CCZA} | V _I =V _{CC1} or GND I _O =0, OE=GND | 1.2V | 1.65V to 5.5V | 0.05 | | | | μA | |
| | | 1.4V to 3.6V | 1.65V to 5.5V | | | 5 | | | |
| I _{CCZB} | V _I =V _{CC1} or GND I _O =0, OE=GND | 1.2V | 1.65V to 5.5V | 3.3 | | | | μA | |
| | | 1.4V to 3.6V | 1.65V to 5.5V | | | 5 | | | |
| C _i | OE | | 1.2V to 3.6V | 1.65V to 5.5V | 3 | | 4 | | pF |
| C _{iO} | A Port | | 1.2V to 3.6V | 1.65V to 5.5V | 5 | | 6 | | pF |
| | B Port | | | | 11 | | 14 | | |

Note 1. V_{CC1} is the supply voltage associated with the input port.

Note 2. V_{CCO} is the supply voltage associated with the output port.

Switching Characteristics
 $T_A=+25^{\circ}\text{C}$, $V_{CCA}=1.2\text{V}$

| Parameter | From (Input) | To (Output) | $V_{CCB}=1.8\text{V}$ | $V_{CCB}=2.5\text{V}$ | $V_{CCB}=3.3\text{V}$ | $V_{CCB}=5\text{V}$ | Unit |
|------------------|---------------------------|-------------|-----------------------|-----------------------|-----------------------|---------------------|---------------|
| | | | Typ | Typ | Typ | Typ | |
| t_{pd} | A | B | 7 | 6 | 5.3 | 5.5 | ns |
| | B | A | 7.5 | 6.5 | 6 | 6 | |
| t_{en} | OE | A | 1 | 1 | 1 | 1 | μs |
| | | B | 1 | 1 | 1 | 1 | |
| t_{dis} | OE | A | 18 | 16 | 14 | 14 | ns |
| | | B | 19 | 17 | 15 | 15 | |
| t_{rA}, t_{fA} | A Port Rise and Fall Time | | 5 | 5 | 5 | 5 | ns |
| t_{rB}, t_{fB} | B Port Rise and Fall Time | | 2.5 | 1.5 | 1.2 | 1 | ns |
| $t_{SK(O)}$ | Channel-to-Channel | | 0.5 | 0.5 | 0.5 | 1.5 | ns |
| Max Data Rate | | | 20 | 20 | 20 | 20 | Mbps |

Switching Characteristics

 Over recommended operating free-air temperature range, $V_{CCA}=1.5\text{V}\pm 0.1\text{V}$ (unless otherwise noted)

| Parameter | From (Input) | To (Output) | $V_{CCB}=1.8\text{V}\pm 0.15\text{V}$ | | $V_{CCB}=2.5\text{V}\pm 0.2\text{V}$ | | $V_{CCB}=3.3\text{V}\pm 0.3\text{V}$ | | $V_{CCB}=5\text{V}\pm 0.5\text{V}$ | | Unit |
|------------------|---------------------------|-------------|---------------------------------------|-----|--------------------------------------|-----|--------------------------------------|-----|------------------------------------|-----|---------------|
| | | | Min | Max | Min | Max | Min | Max | Min | Max | |
| t_{pd} | A | B | 2 | 15 | 1.2 | 11 | 1.1 | 10 | 1 | 10 | ns |
| | B | A | 1 | 15 | 0.9 | 12 | 0.5 | 12 | 0.3 | 13 | |
| t_{en} | OE | A | | 1 | | 1 | | 1 | | 1 | μs |
| | | B | | 1 | | 1 | | 1 | | 1 | |
| t_{dis} | OE | A | 6 | 30 | 5.5 | 28 | 5.5 | 25 | 5.5 | 23 | ns |
| | | B | 5.5 | 30 | 5 | 25 | 5 | 20 | 5 | 20 | |
| t_{rA}, t_{fA} | A Port Rise and Fall Time | | 1.5 | 5.0 | 1.5 | 5.0 | 1.5 | 5.0 | 1.5 | 5.0 | ns |
| t_{rB}, t_{fB} | B Port Rise and Fall Time | | 0.9 | 4.5 | 0.6 | 3.5 | 0.5 | 3 | 0.4 | 2.5 | ns |
| $t_{SK(O)}$ | Channel-to-Channel | | | 0.5 | | 0.5 | | 0.5 | | 0.5 | ns |
| Max Data Rate | | | 40 | | 40 | | 40 | | 40 | | Mbps |

Switching Characteristics

Over recommended operating free-air temperature range, $V_{CCA}=1.8V\pm 0.15V$ (unless otherwise noted)

| Parameter | From (Input) | To (Output) | $V_{CCB}=1.8V \pm 0.15V$ | | $V_{CCB}=2.5V \pm 0.2V$ | | $V_{CCB}=3.3V \pm 0.3V$ | | $V_{CCB}=5V \pm 0.5V$ | | Unit |
|------------------|---------------------------|-------------|--------------------------|-----|-------------------------|-----|-------------------------|------|-----------------------|------|---------|
| | | | Min | Max | Min | Max | Min | Max | Min | Max | |
| t_{pd} | A | B | 1.6 | 10 | 1.4 | 9 | 1.3 | 7 | 1.2 | 6.5 | ns |
| | B | A | 1.5 | 12 | 1.3 | 8.5 | 1 | 8 | 0.9 | 8 | |
| t_{en} | OE | A | | 1 | | 1 | | 1 | | 1 | μs |
| | | B | | 1 | | 1 | | 1 | | 1 | |
| t_{dis} | OE | A | 6 | 34 | 5.5 | 23 | 5 | 20 | 5 | 17.6 | ns |
| | | B | 5.5 | 33 | 4.5 | 22 | 4.2 | 16.8 | 4.4 | 16.3 | |
| t_{rA}, t_{fA} | A Port Rise and Fall Time | | 1 | 4.2 | 1.1 | 4.0 | 1.1 | 4.0 | 1.1 | 4.0 | ns |
| t_{rB}, t_{fB} | B Port Rise and Fall Time | | 0.9 | 4 | 0.6 | 3.2 | 0.5 | 2.8 | 0.4 | 2.8 | ns |
| $t_{SK(O)}$ | Channel-to-Channel | | | 0.5 | | 0.5 | | 0.5 | | 0.5 | ns |
| Max Data Rate | | | 60 | | 60 | | 60 | | 60 | | Mbps |

Switching Characteristics

Over recommended operating free-air temperature range, $V_{CCA}=2.5V\pm 0.2V$ (unless otherwise noted)

| Parameter | From (Input) | To (Output) | $V_{CCB}=2.5V \pm 0.2V$ | | $V_{CCB}=3.3V \pm 0.3V$ | | $V_{CCB}=5V \pm 0.5V$ | | Unit |
|------------------|---------------------------|-------------|-------------------------|-----|-------------------------|------|-----------------------|------|---------|
| | | | Min | Max | Min | Max | Min | Max | |
| t_{pd} | A | B | 1.1 | 6.5 | 1 | 5.2 | 0.9 | 5 | ns |
| | B | A | 1.2 | 6.6 | 1.1 | 5.1 | 0.9 | 4.4 | |
| t_{en} | OE | A | | 1 | | 1 | | 1 | μs |
| | | B | | 1 | | 1 | | 1 | |
| t_{dis} | OE | A | 5.0 | 23 | 4.6 | 15.2 | 4.6 | 13 | ns |
| | | B | 4.4 | 22 | 3.8 | 16 | 3.9 | 13.3 | |
| t_{rA}, t_{fA} | A Port Rise and Fall Time | | 0.8 | 3 | 0.8 | 3 | 0.8 | 3 | ns |
| t_{rB}, t_{fB} | B Port Rise and Fall Time | | 0.7 | 2.7 | 0.5 | 2.8 | 0.4 | 2.7 | ns |
| $t_{SK(O)}$ | Channel-to-Channel | | | 0.5 | | 0.5 | | 0.5 | ns |
| Max Data Rate | | | 100 | | 100 | | 100 | | Mbps |

Switching Characteristics

Over recommended operating free-air temperature range, $V_{CCA}=3.3V\pm 0.3V$ (unless otherwise noted)

| Parameter | From (Input) | To (Output) | $V_{CCB}=3.3V \pm 0.3V$ | | $V_{CCB}=5V \pm 0.5V$ | | Unit |
|------------------|---------------------------|-------------|-------------------------|-----|-----------------------|------|---------|
| | | | Min | Max | Min | Max | |
| t_{pd} | A | B | 0.9 | 5 | 0.8 | 4 | ns |
| | B | A | 1 | 5.1 | 0.9 | 4 | |
| t_{en} | OE | A | | 1 | | 1 | μs |
| | | B | | 1 | | 1 | |
| t_{dis} | OE | A | 5 | 15 | 4 | 13 | ns |
| | | B | 4 | 16 | 3.4 | 13.8 | |
| t_{rA}, t_{fA} | A Port Rise and Fall Time | | 0.7 | 2.5 | 0.7 | 2.5 | ns |
| t_{rB}, t_{fB} | B Port Rise and Fall Time | | 0.5 | 2.1 | 0.4 | 2.8 | ns |
| $t_{SK(O)}$ | Channel-to-Channel | | | 0.5 | | 0.5 | ns |
| Max Data Rate | | | 100 | | 100 | | Mbps |

Operating Characteristics

$T_A=+25^\circ C$

| Parameter | | Test Conditions | V_{CCB} | | | | | | Unit | |
|-----------|-------------------------------|--|-----------|----------|----------|----------|----------|----------|------|------------|
| | | | 5V | 1.8V | 1.8V | 1.8V | 2.5V | 5V | | 3.3V to 5V |
| | | | V_{CCA} | | | | | | | |
| | | | 1.2V Typ | 1.2V Typ | 1.5V Typ | 1.8V Typ | 2.5V Typ | 2.5V Typ | | 3.3V Typ |
| C_{pdA} | A-Port Input B-Port Output | $C_L=0,$ $f=10MHz,$ $t_r=t_f=1ns,$ $OE=V_{CCA}$ | 9 | 10 | 10 | 10 | 10 | 10 | 10 | pF |
| | B-Port Input A-Port Output | | 12 | 11 | 11 | 11 | 11 | 11 | 11 | |
| C_{pdB} | A-Port Input B-Port Output | | 35 | 28 | 28 | 29 | 3.0 | 30 | 30 | |
| | B-Port Input A-Port Output | | 27 | 19 | 19 | 19 | 20 | 21 | 23 | |
| C_{pdA} | A-Port Input B-Port Output | $C_L=0,$ $f=10MHz,$ $t_r=t_f=1ns,$ $OE=GND$ | 0.01 | 0.01 | 0.01 | 0.01 | 0.01 | 0.01 | 0.01 | pF |
| | B-Port Input A-Port Output | | 0.01 | 0.01 | 0.01 | 0.01 | 0.01 | 0.01 | 0.01 | |
| C_{pdB} | A-Port Input B-Port Output | | 0.01 | 0.01 | 0.01 | 0.01 | 0.01 | 0.01 | 0.03 | |
| | B-Port Input A-Port Output | | 0.01 | 0.01 | 0.01 | 0.01 | 0.01 | 0.01 | 0.05 | |

Applications Information

UM3304/UM3304Q/UM3304QS/UM3304QT/UM3304QA ESD protected level translator provides level shifting necessary to allow data transfer in a multi-voltage system. Externally applied voltages, V_{CCA} and V_{CCB} set the logic levels on either side of device. A low voltage signal present on V_{CCA} side of the device appears as a high voltage logic signal on the V_{CCB} side of the device, and vice-versa.

Block Diagram

The UM3304/UM3304Q/UM3304QS/UM3304QT/UM3304QA (block diagram see Figure 1) does not require a direction-control signal to control the direction of data flow from A to B or from B to A. In a dc state, the output drivers of the UM3304/UM3304Q/UM3304QS/UM3304QT/UM3304QA can maintain a high or low, but are designed to be weak, so that they can be overdriven by an external driver when data on the bus starts flowing to the opposite direction.

The output one shot detects rising or falling edges on the A or B ports. During a rising edge, the one shot turns on the PMOS transistors (T1, T3) for a short duration, which speeds up the low-to-high transition. Similarly, during a falling edge, the one shot turns on the NMOS transistors (T2, T4) for a short duration, which speeds up the high-to-low transition.

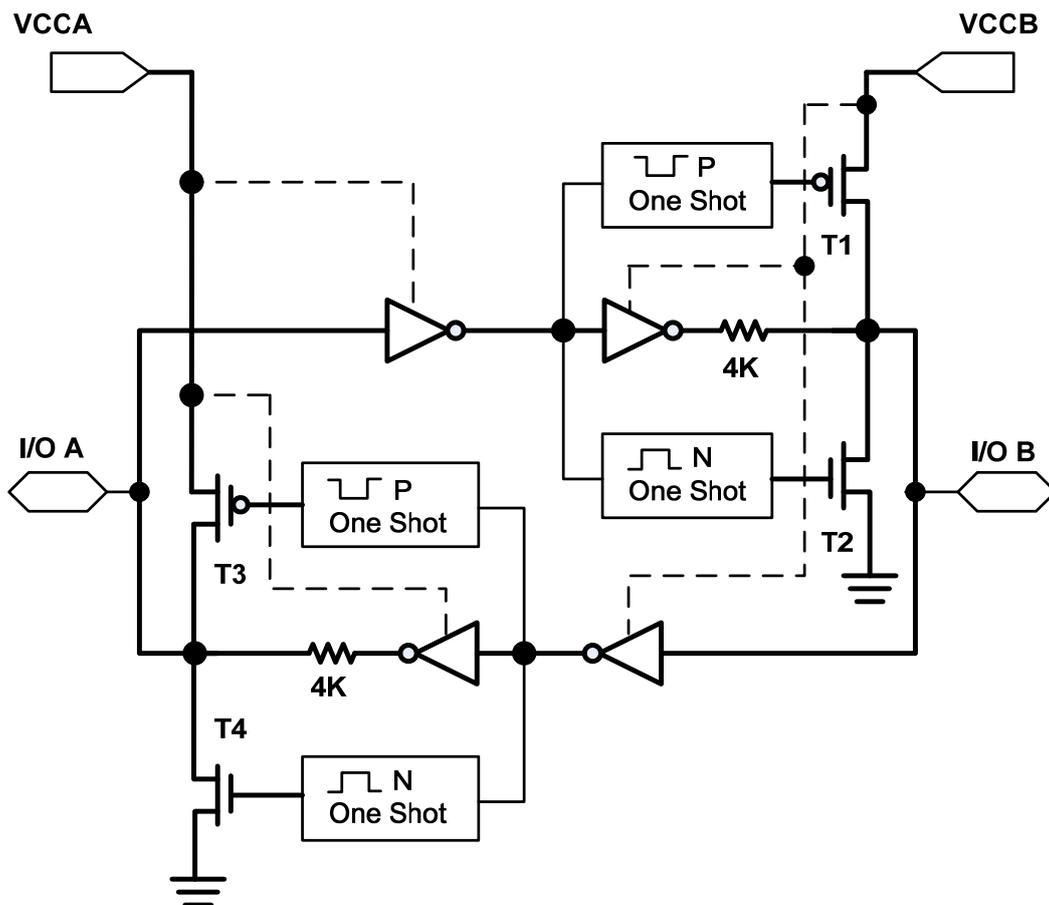
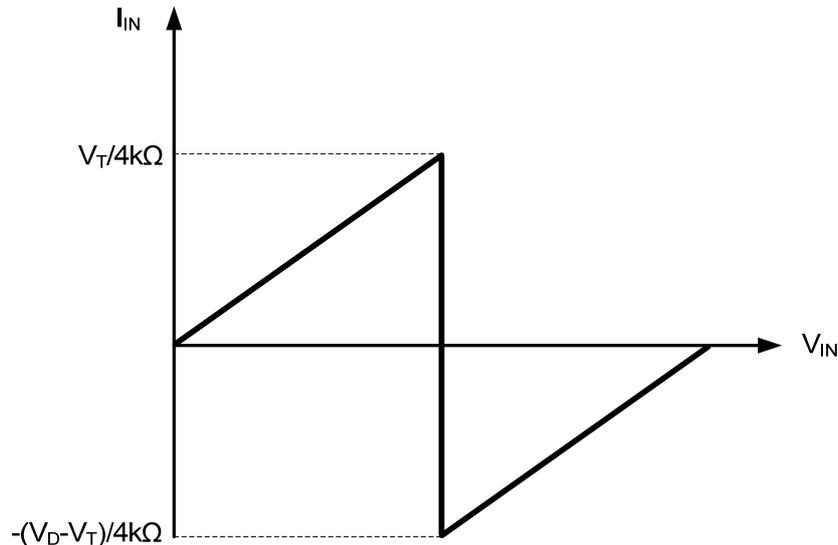


Figure 1 Block Diagram of UM3304/UM3304Q/UM3304QT/UM3304QS/UM3304QA I/O Cell

Input Driver Requirements

Typical I_{IN} vs. V_{IN} characteristics of the UM3304/UM3304Q/UM3304QS/UM3304QT/UM3304QA are shown in Figure 2. For proper operation, the device driving the data I/Os of the UM3304/UM3304Q/UM3304QS/UM3304QT/UM3304QA must have drive strength of at least $\pm 2\text{mA}$.



- A: V_T is the input threshold voltage of the UM3304/UM3304Q/UM3304QS/UM3304QT/UM3304QA (typical $V_{CCI}/2$).
 B: V_D is the supply voltage of the external driver.

Figure 2 Typical I_{IN} vs. V_{IN} Curve

Power Up

During operation, ensure that $V_{CCA} \leq V_{CCB}$ at all times. During power-up sequencing, $V_{CCA} \geq V_{CCB}$ does not damage the device, so any power supply can be ramped up first. The UM3304/UM3304Q/UM3304QS/UM3304QT/UM3304QA has circuitry that disables all output ports when either V_{CC} is switched off ($V_{CCA/B} = 0\text{V}$).

Enable and Disable

The UM3304/UM3304Q/UM3304QS/UM3304QT/UM3304QA has an OE input that is used to disable the device by setting OE=low, which places all I/Os in the high-impedance (Hi-Z) state. The disable time (t_{dis}) indicates the delay between when OE goes low and when the outputs actually get disabled (Hi-Z). The enable time (t_{en}) indicates the amount of time the user must allow for the one-shot circuitry to become operational after OE is taken high.

Pull-up or Pull-down Resistors on I/O Lines

The UM3304/UM3304Q/UM3304QS/UM3304QT/UM3304QA is designed to drive capacitive loads of up to 50pF. The output drivers of the UM3304/UM3304Q/UM3304QS/UM3304QT/UM3304QA have low dc drive strength. External pull-up or pull-down resistors need higher than 50kΩ.

For the same reason, the UM3304/UM3304Q/UM3304QS/UM3304QT/UM3304QA should not be used in open-drain system, such as I²C or 1-wire system.

Typical Operating Circuit

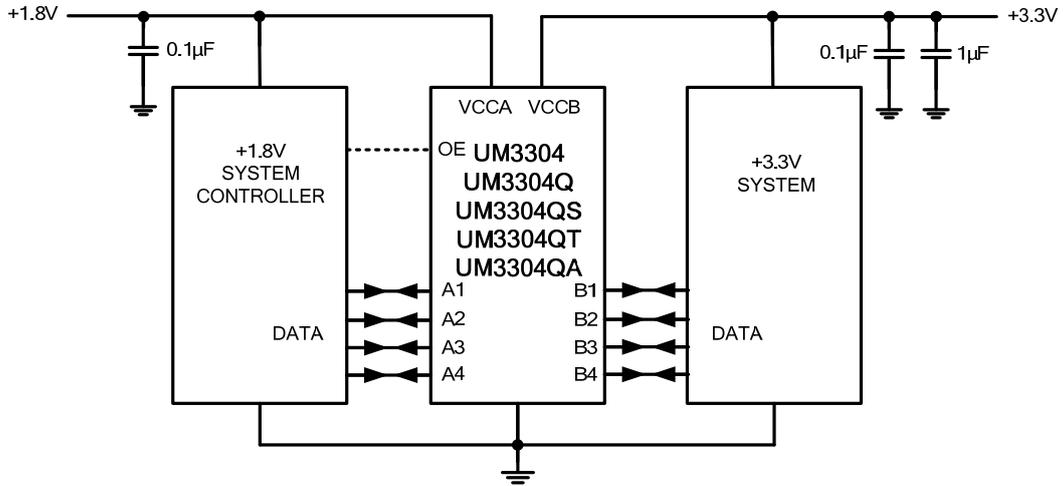
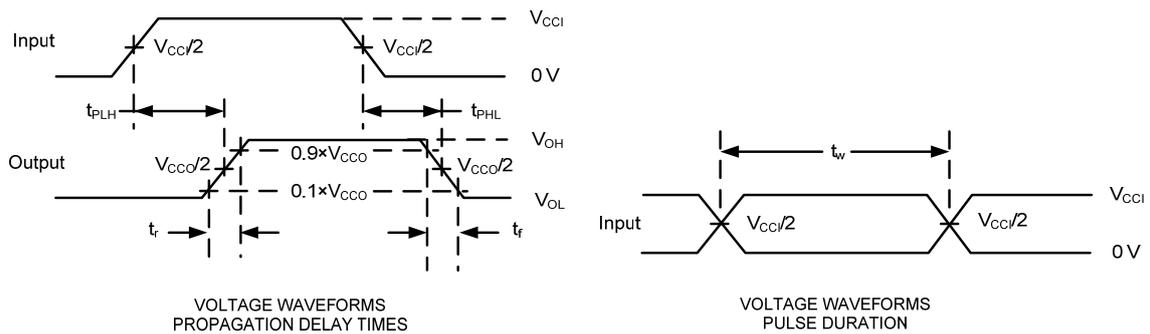
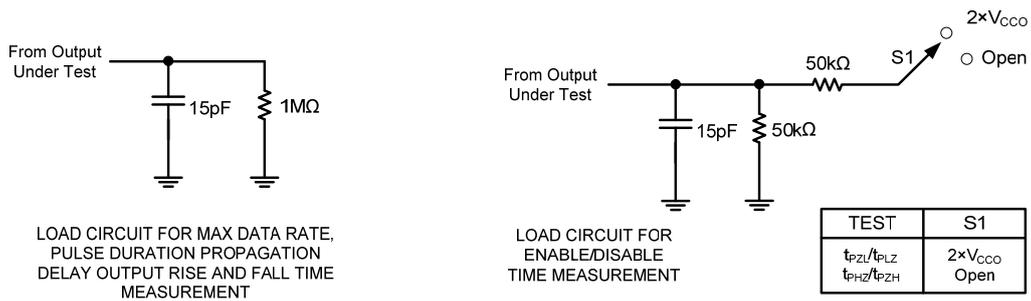


Figure 3 Typical Operating Circuit

Test Circuits



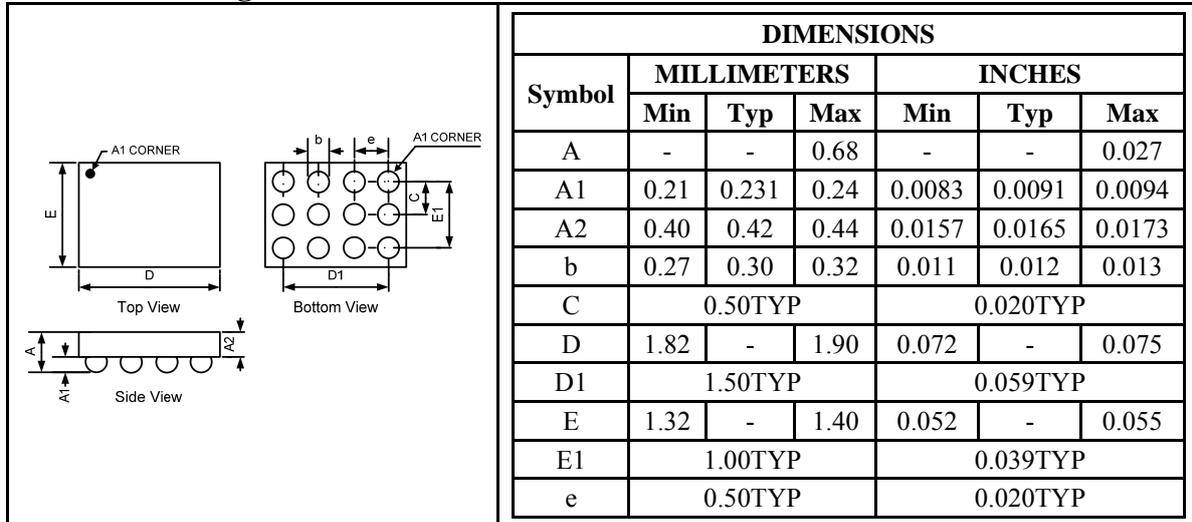
- A. C_L includes probe and jig capacitance.
- B. All input pulses are supplied by generators having the following characteristics: $PRR \leq 10\text{MHz}$, $Z_O = 50\Omega$, $dV/dt \geq 1\text{V/ns}$.
- C. The outputs are measured one at a time, with one transition per measurement.
- D. t_{PLH} and t_{PHL} are the same as t_{pd} .
- E. V_{CCI} is the V_{CC} associated with the input port.
- F. V_{CCO} is the V_{CC} associated with the output port.
- G. All parameters and waveforms are not applicable to all devices.

Figure 4 Load Circuits and Voltage Waveforms

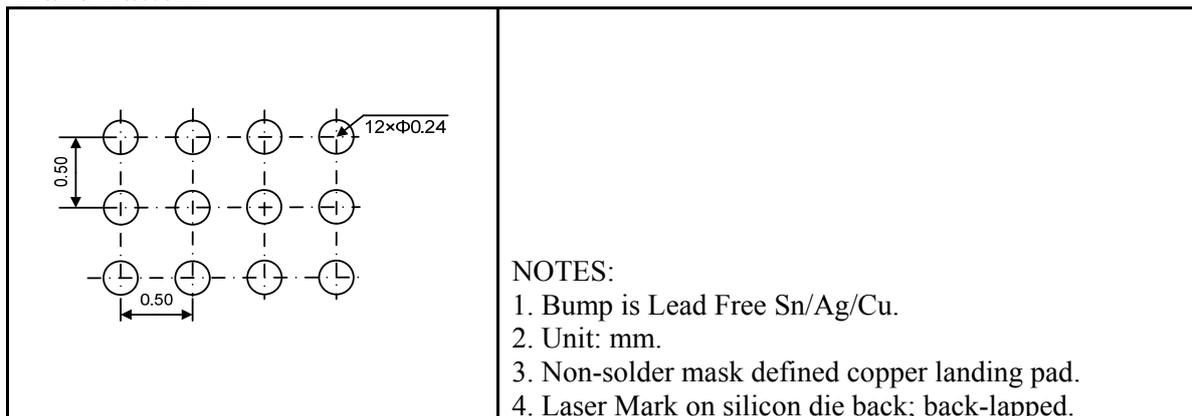
Package Information

UM3304 CSP12 1.9×1.4

Outline Drawing



Land Pattern

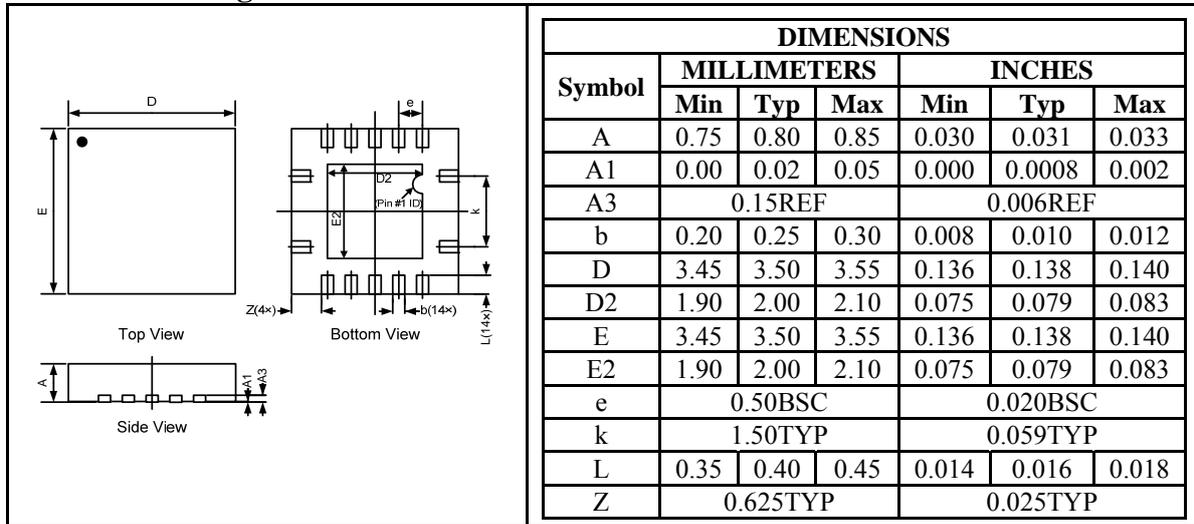


Tape and Reel Orientation

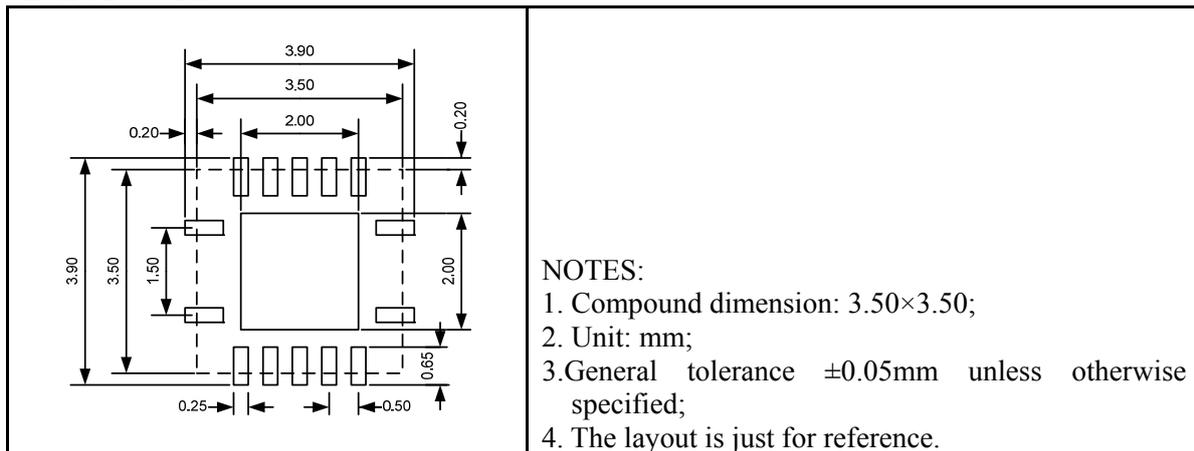


UM3304Q QFN14 3.5×3.5

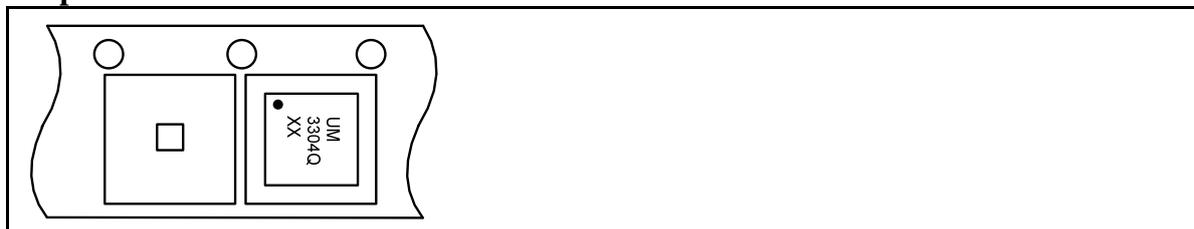
Outline Drawing



Land Pattern

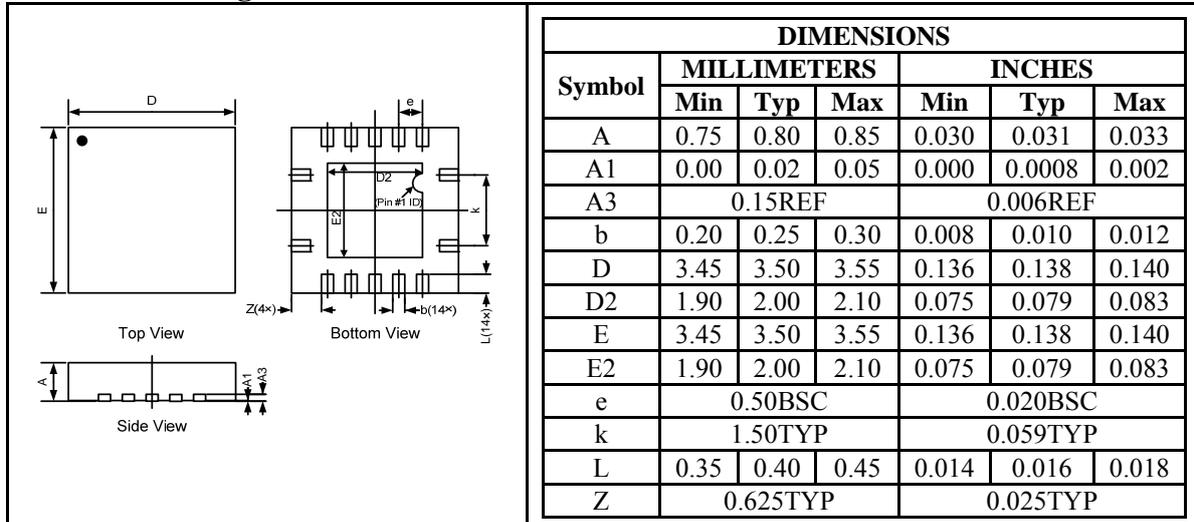


Tape and Reel Orientation

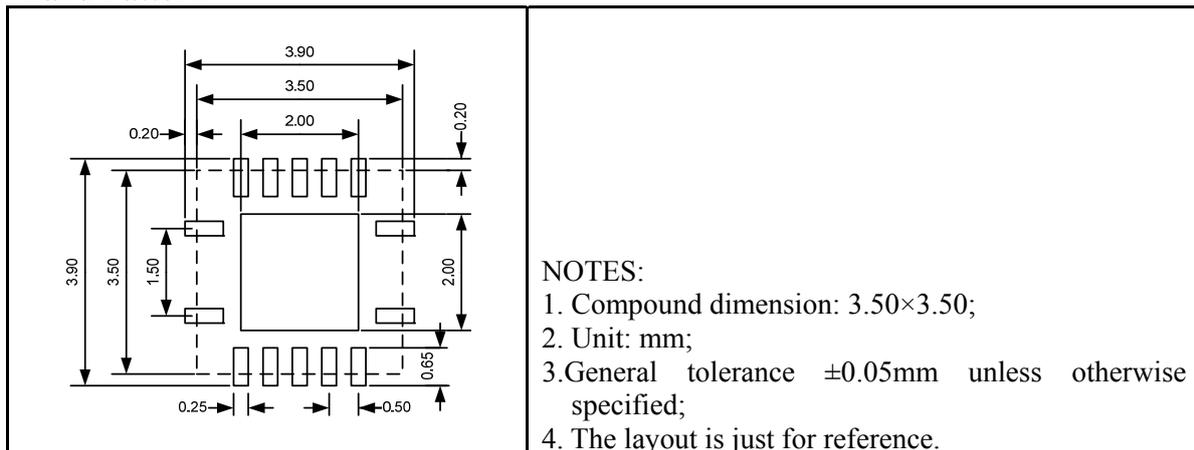


UM3304QS QFN14 3.5×3.5

Outline Drawing



Land Pattern

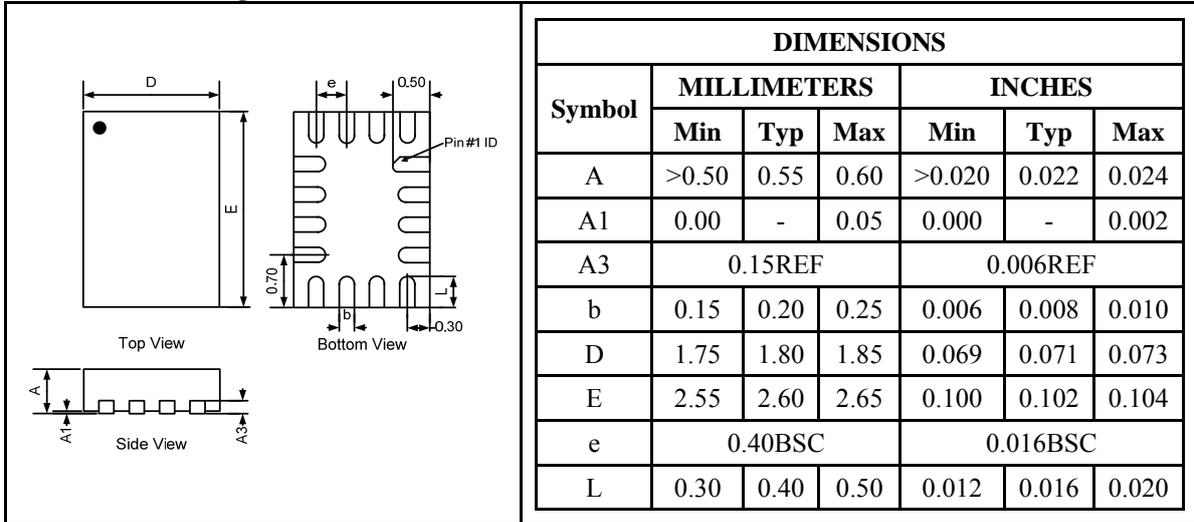


Tape and Reel Orientation

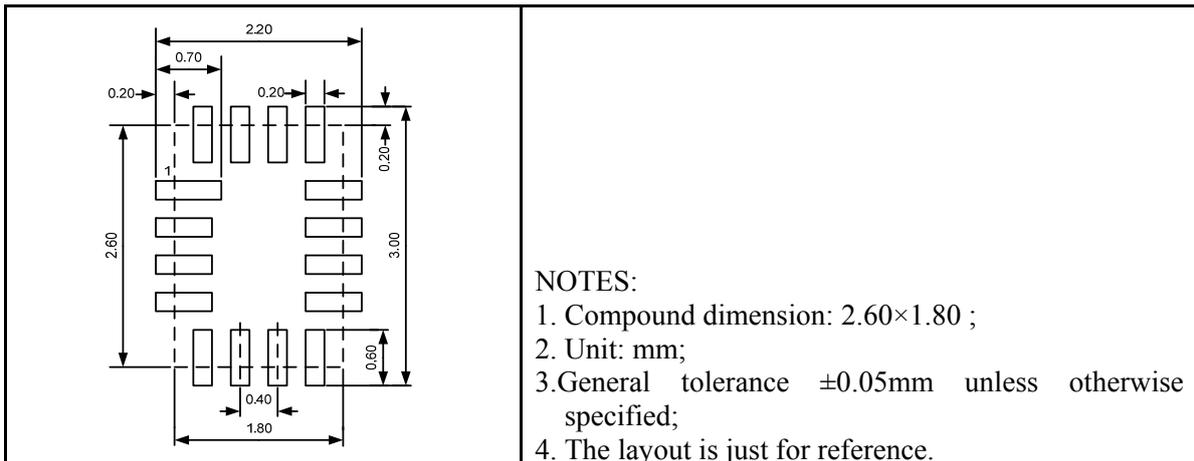


UM3304QT QFN16 2.6×1.8

Outline Drawing



Land Pattern

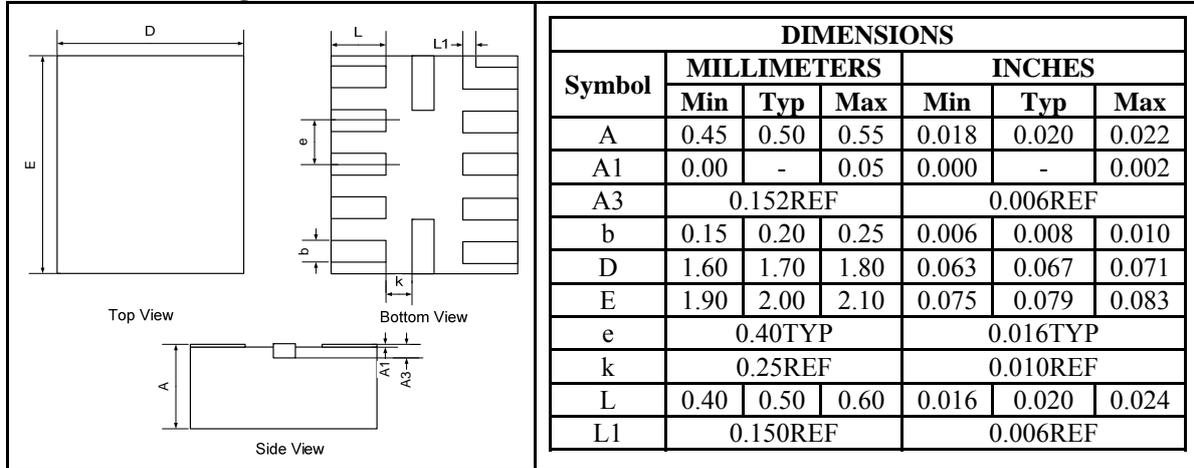


Tape and Reel Orientation

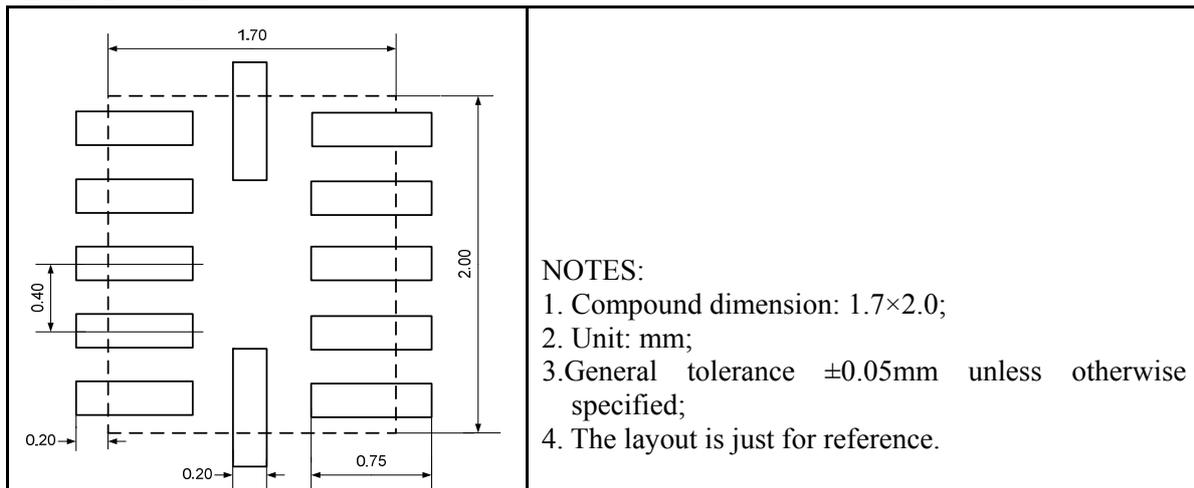


UM3304QA QFN12 1.7×2.0

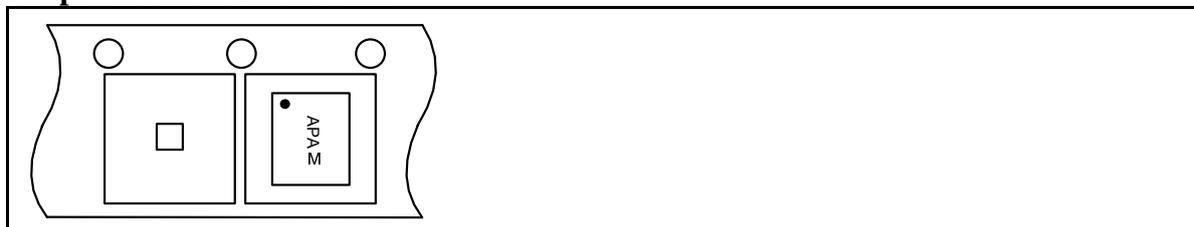
Outline Drawing



Land Pattern



Tape and Reel Orientation



GREEN COMPLIANCE

Union Semiconductor is committed to environmental excellence in all aspects of its operations including meeting or exceeding regulatory requirements with respect to the use of hazardous substances. Numerous successful programs have been implemented to reduce the use of hazardous substances and/or emissions.

All Union components are compliant with the RoHS directive, which helps to support customers in their compliance with environmental directives. For more green compliance information, please visit:

http://www.union-ic.com/index.aspx?cat_code=RoHSDeclaration

IMPORTANT NOTICE

The information in this document has been carefully reviewed and is believed to be accurate. Nonetheless, this document is subject to change without notice. Union assumes no responsibility for any inaccuracies that may be contained in this document, and makes no commitment to update or to keep current the contained information, or to notify a person or organization of any update. Union reserves the right to make changes, at any time, in order to improve reliability, function or design and to attempt to supply the best product possible.



Union Semiconductor, Inc

Add: Unit 606, No.570 Shengxia Road, Shanghai 201210

Tel: 021-51093966

Fax: 021-51026018

Website: www.union-ic.com