



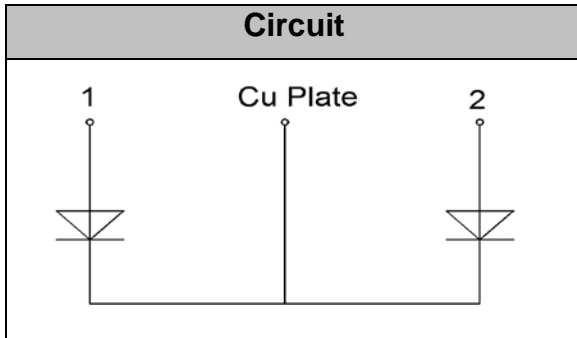
Schottky Rectifier Modules



VRRM 100V
IFAV 600 A

Applications

- Plating Power Supply
- High Frequency Power Supply
- High Current Switching Power Supply
- Reverse Battery Protection
- Welding Maching



Features

- Center Tap Module
- High Frequency Opration
- Low Forward Voltage
- Dual Diode Contruction; May be Paralleled for High Current Output
- Lead (Pb)-free
- Designed and qualified for industrial level

Maximum Ratings

Symbol	Conditions	Values	Units
V_R		100	V
$I_{F(AV)}$	$T_C=125^\circ\text{C}$, Per Leg	300	A
	$T_C=125^\circ\text{C}$, Per Moudle	600	A
I_{FSM}	1/2 Cycle , 60Hz, Sine	4000	A
I^2t	$T_J=45^\circ\text{C}$, $t=8.3\text{ms}$, 60Hz, Sine	80000	A^2s
T_J		-40 to +150	$^\circ\text{C}$
T_{STG}		-40 to +150	$^\circ\text{C}$
Torque	Recommended (M6)	4.5	N·m
Torque	Recommended (M6)	4.5	N·m
Weight		95	g

Thermal Characteristics

Symbol	Conditions	Values	Units
$R_{th(j-c)}$	Per diode	0.28	$^\circ\text{C}/\text{W}$

Electrical Characteristics

Symbol	Conditions	Values			Units
		Min.	Typ.	Max.	
I_{RM}	$V_R=100\text{V}$	--	--	1	mA
	$V_R=100\text{V}$, $T_J=125^\circ\text{C}$	--	--	50	mA
V_F	$I_F=300\text{A}$, $T_J=25^\circ\text{C}$	--		0.86	V
	$I_F=300\text{A}$, $T_J=125^\circ\text{C}$	--		0.78	



Performance Curves

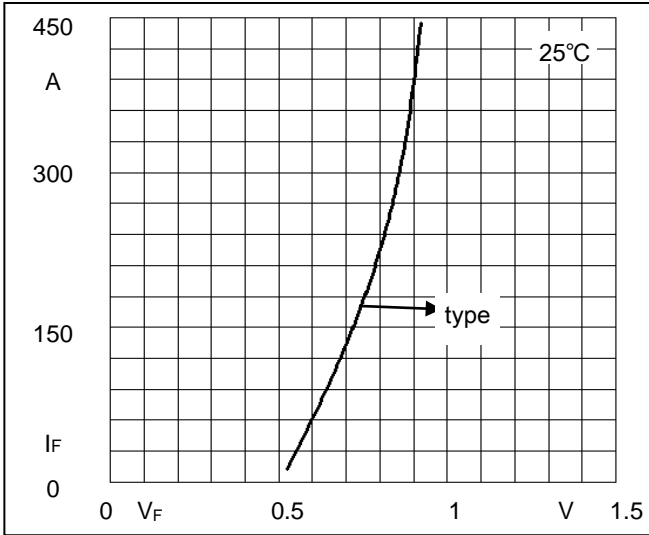


Fig1. Forward Voltage Drop vs Forward Current

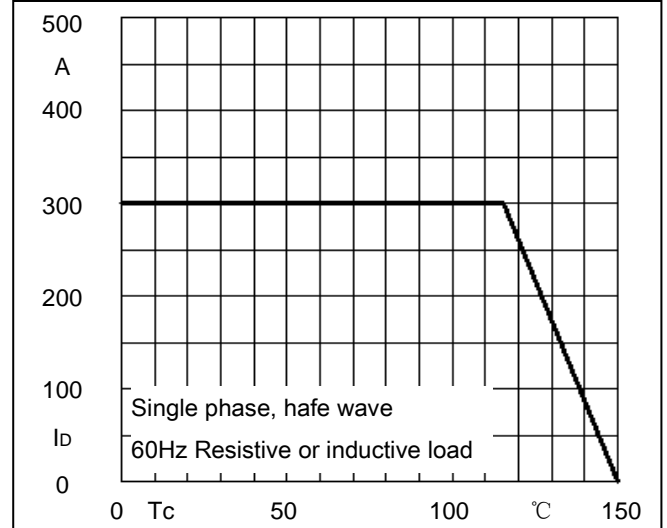


Fig2. Forward Current Derating Curve

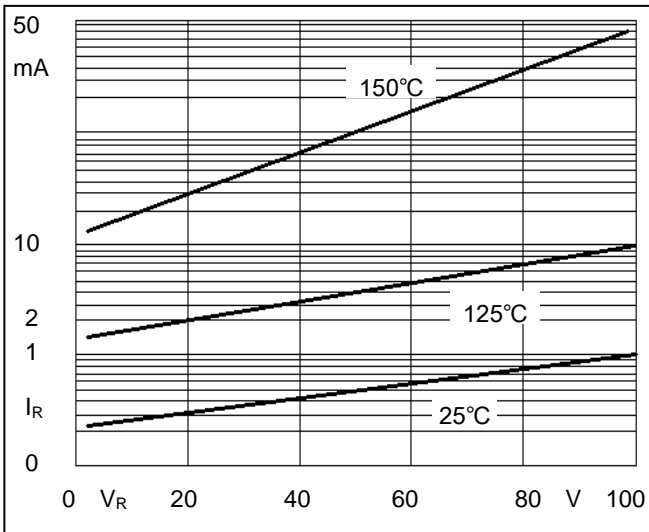
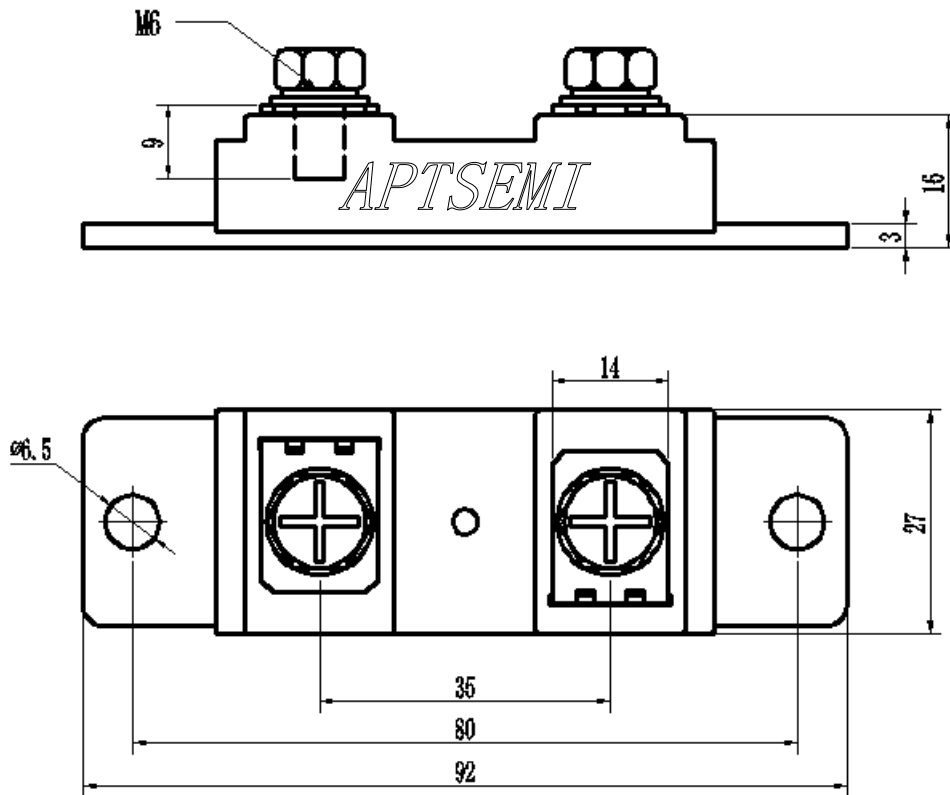


Fig3. Typical Reverse Current



Package Outline Information

CASE: F3



Dimensions in mm