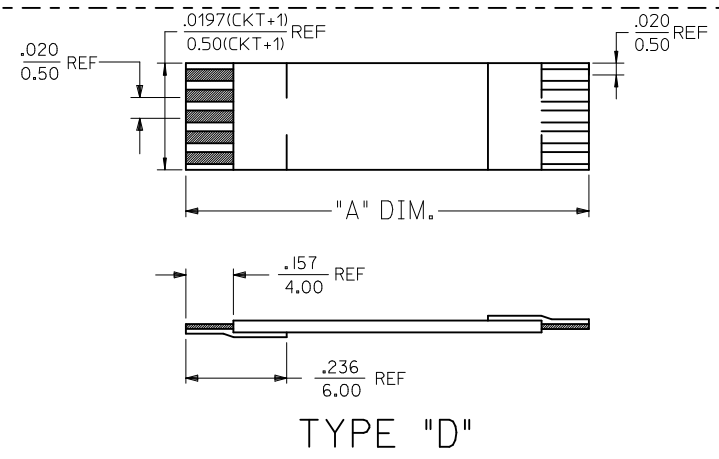
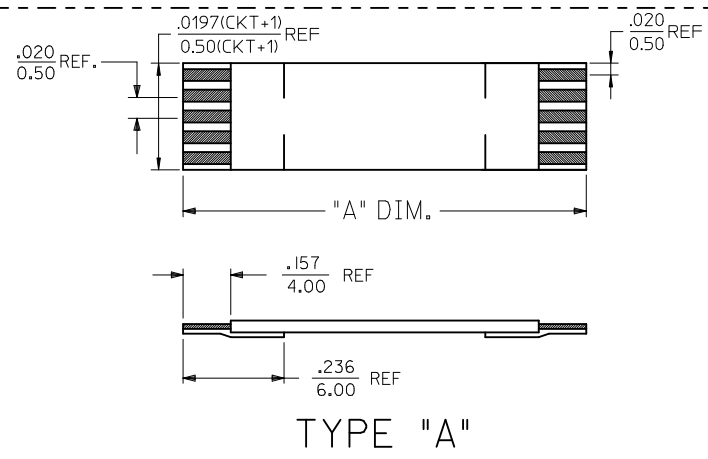


0.50MM CENTER FFC JUMPER CABLE (LOW TEMPERATURE) CHART

"A" DIM.	1.181±.079 INCHES 30±2.00 MM		2±.079 INCHES 51±2.00 MM		3±.118 INCHES 76±3.00 MM		4±.118 INCHES 102±3.00 MM		5±.157 INCHES 127±4.00 MM		6±.157 INCHES 152±4.00 MM		7±.157 INCHES 178±4.00 MM		8±.157 INCHES 203±4.00 MM		9±.197 INCHES 229±5.00 MM		10±.197 INCHES 254±5.00 MM		12±.197 INCHES 305±5.00 MM	
BACKER	TYPE "A"	TYPE "D"	TYPE "A"	TYPE "D"	TYPE "A"	TYPE "D"	TYPE "A"	TYPE "D"	TYPE "A"	TYPE "D"	TYPE "A"	TYPE "D"	TYPE "A"	TYPE "D"	TYPE "A"	TYPE "D"	TYPE "A"	TYPE "D"	TYPE "A"	TYPE "D"	TYPE "A"	TYPE "D"
CKTS: 6	210200051	210200052	210200053	210200054	210200055	210200056	210200057	210200058	210200059	210200060	210200061	210200062	210200063	210200064	210200065	210200066	210200067	210200068	210200069	210200070	210200071	210200072
CKTS: 8	210200073	210200074	210200075	210200076	210200077	210200078	210200079	210200080	210200081	210200082	210200083	210200084	210200085	210200086	210200087	210200088	210200089	210200090	210200091	210200092	210200093	210200094
CKTS: 10	210200095	210200096	210200097	210200098	210200099	210200100	210200101	210200102	210200103	210200104	210200105	210200106	210200107	210200108	210200109	210200110	210200111	210200112	210200113	210200114	210200115	210200116
CKTS: 12	210200117	210200118	210200119	210200120	210200121	210200122	210200123	210200124	210200125	210200126	210200127	210200128	210200129	210200130	210200131	210200132	210200133	210200134	210200135	210200136	210200137	210200138
CKTS: 14	210200139	210200140	210200141	210200142	210200143	210200144	210200145	210200146	210200147	210200148	210200149	210200150	210200151	210200152	210200153	210200154	210200155	210200156	210200157	210200158	210200159	210200160
CKTS: 16	210200161	210200162	210200163	210200164	210200165	210200166	210200167	210200168	210200169	210200170	210200171	210200172	210200173	210200174	210200175	210200176	210200177	210200178	210200179	210200180	210200181	210200182
CKTS: 18	210200183	210200184	210200185	210200186	210200187	210200188	210200189	210200190	210200191	210200192	210200193	210200194	210200195	210200196	210200197	210200198	210200199	210200200	210200201	210200202	210200203	210200204
CKTS: 20	210200205	210200206	210200207	210200208	210200209	210200210	210200211	210200212	210200213	210200214	210200215	210200216	210200217	210200218	210200219	210200220	210200221	210200222	210200223	210200224	210200225	210200226
CKTS: 22	210200227	210200228	210200229	210200230	210200231	210200232	210200233	210200234	210200235	210200236	210200237	210200238	210200239	210200240	210200241	210200242	210200243	210200244	210200245	210200246	210200247	210200248
CKTS: 24	210200249	210200250	210200251	210200252	210200253	210200254	210200255	210200256	210200257	210200258	210200259	210200260	210200261	210200262	210200263	210200264	210200265	210200266	210200267	210200268	210200269	210200270
CKTS: 26	210200271	210200272	210200273	210200274	210200275	210200276	210200277	210200278	210200279	210200280	210200281	210200282	210200283	210200284	210200285	210200286	210200287	210200288	210200289	210200290	210200291	210200292
CKTS: 28	210200293	210200294	210200295	210200296	210200297	210200298	210200299	210200300	210200301	210200302	210200303	210200304	210200305	210200306	210200307	210200308	210200309	210200310	210200311	210200312	210200313	210200314
CKTS: 30	210200315	210200316	210200317	210200318	210200319	210200320	210200321	210200322	210200323	210200324	210200325	210200326	210200327	210200328	210200329	210200330	210200331	210200332	210200333	210200334	210200335	210200336
CKTS: 32	210200337	210200338	210200339	210200340	210200341	210200342	210200343	210200344	210200345	210200346	210200347	210200348	210200349	210200350	210200351	210200352	210200353	210200354	210200355	210200356	210200357	210200358
CKTS: 34	210200359	210200360	210200361	210200362	210200363	210200364	210200365	210200366	210200367	210200368	210200369	210200370	210200371	210200372	210200373	210200374	210200375	210200376	210200377	210200378	210200379	210200380
CKTS: 36	210200381	210200382	210200383	210200384	210200385	210200386	210200387	210200388	210200389	210200390	210200391	210200392	210200393	210200394	210200395	210200396	210200397	210200398	210200399	210200400	210200401	210200402
CKTS: 38	210200403	210200404	210200405	210200406	210200407	210200408	210200409	210200410	210200411	210200412	210200413	210200414	210200415	210200416	210200417	210200418	210200419	210200420	210200421	210200422	210200423	210200424
CKTS: 40	210200425	210200426	210200427	210200428	210200429	210200430	210200431	210200432	210200433	210200434	210200435	210200436	210200437	210200438	210200439	210200440	210200441	210200442	210200443	210200444	210200445	210200446



NOTES:
 1. NO PRINTING ON JUMPER CABLE UNLESS OTHERWISE SPECIFIED. IF PRINTING IS REQUIRED THEN IT WOULD BE CONSIDERED A SPECIAL JUMPER CABLE.

MADE DIMENSIONS REF EC NO: USW2012-0078 DRWN:MIMIG 2011/10/18 CHKD: APPR:SFULTON 2011/11/02 REV	QUALITY SYMBOLS ▽=0 ▽=0	GENERAL TOLERANCES (UNLESS SPECIFIED)	DIMENSION STYLE IN/MM	SCALE 1:1	DESIGN UNITS INCH	THIRD ANGLE PROJECTION																
			<table border="1" style="width: 100%; border-collapse: collapse;"> <tr><th>PLACES</th><th>mm</th><th>INCH</th></tr> <tr><td>4 PLACES</td><td>± ---</td><td>± ---</td></tr> <tr><td>3 PLACES</td><td>± ---</td><td>± .010</td></tr> <tr><td>2 PLACES</td><td>± 0.25</td><td>± .030</td></tr> <tr><td>1 PLACE</td><td>± 0.76</td><td>± ---</td></tr> </table> ANGULAR ±1/2°	PLACES	mm	INCH	4 PLACES	± ---	± ---	3 PLACES	± ---	± .010	2 PLACES	± 0.25	± .030	1 PLACE	± 0.76	± ---	DRAWN BY: MIMIG DATE: 2011/10/18 CHECKED BY: _____ DATE: _____	TITLE 0.50MM CENTER FFC JUMPER CABLE (LOW TEMPERATURE) CHART		
	PLACES	mm	INCH																			
	4 PLACES	± ---	± ---																			
3 PLACES	± ---	± .010																				
2 PLACES	± 0.25	± .030																				
1 PLACE	± 0.76	± ---																				
		DRAFT WHERE APPLICABLE MUST REMAIN WITHIN DIMENSIONS	APPROVED BY: SFULTON DATE: 2011/11/02 MATERIAL NO. SEE CHART	MOLEX INCORPORATED DOCUMENT NO. SD-21020-001																		
			SIZE C	THIS DRAWING CONTAINS INFORMATION THAT IS PROPRIETARY TO MOLEX INCORPORATED AND SHOULD NOT BE USED WITHOUT WRITTEN PERMISSION																		