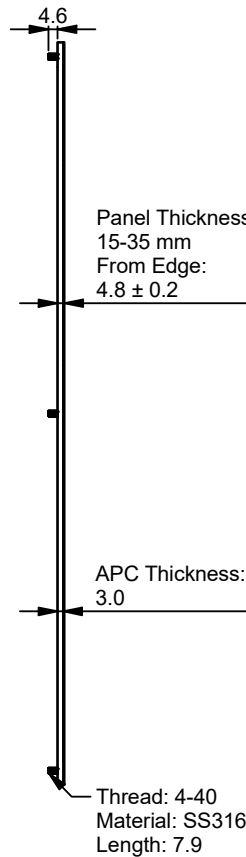
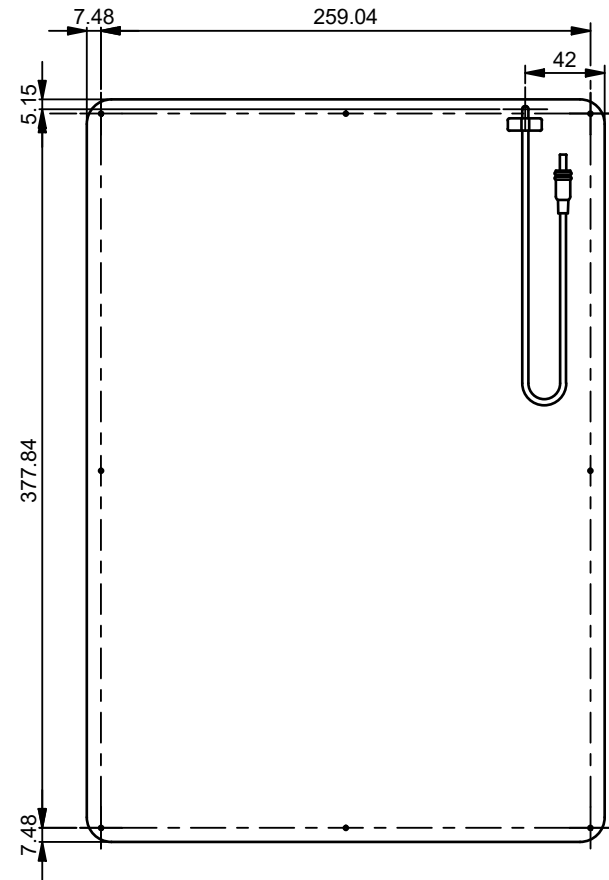


Front



Side



Back



Drawing Details

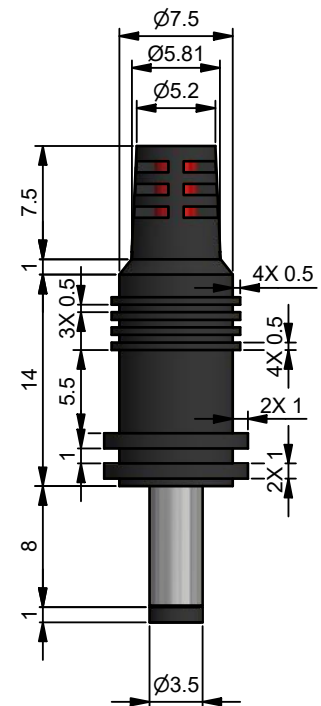
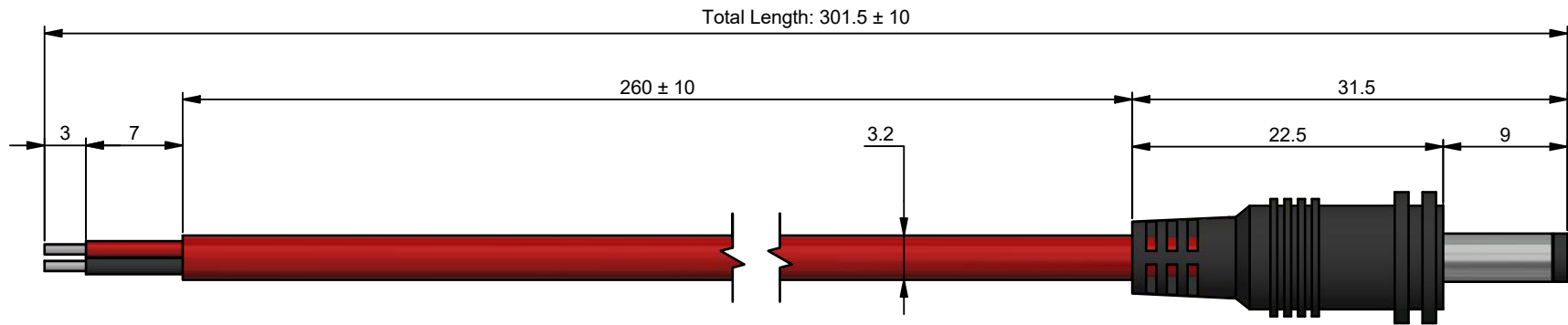
Panel Number:	P117
Revision:	R1B
Engineer:	CY
Checked By:	SM
Date Created:	2017-07-20
Date Modified:	2018-04-05
Changes:	Production Release
Tolerance:	± 0.3
Units:	mm
Scale:	1 : 4
Sheet:	1/2

Construction

All Materials	RoHS Compliant
Substrate:	Charcoal APC
Encapsulant:	Urethane
Top Layer:	Urethane
Wire Number:	W017
Wire Length:	260 ± 10
Strain Relief:	Metal Bracket
Attachment:	8X 4-40 Screws
Waterproof Rating:	IP67

Power Specifications

Output Tolerance: ± 10% of Voltage and Current				
Solar Cell: EEPV EE6E3C 3BB				
Nominal Efficiency: ≥ 19.5%		Cell Pieces: 35		
Panel Electrical Ratings		Nominal	Expected	
Open-Circuit Voltage	Voc	22.37	21.25	V
Voltage at Max Power	Vp	18.97	18.02	V
Short-Circuit Current	Isc	1.03	0.99	A
Current at Max Power	Ip	0.97	0.92	A
Maximum Power	Wp	18.34	16.54	W



Drawing Details		Wire Details	
Wire Number:	W017	All Materials RoHS Compliant	
Revision:	R1A	Length:	260 ± 10
Engineer:	CY	Conductor Gauge:	22 AWG
Checked By:	SM	Connector:	M3511
Date Created:	2014-03-18	Crimp:	N/A
Date Modified:	2018-06-28	Jacket Color:	Red
Changes:	N/A	Jacket Material:	PU
Tolerance:	± 0.3	Units:	mm
Scale:	2	Sheet:	2/2
		Insulator Colors:	Black and Red
		Insulator Material:	PVC