



TP04

Temperature Transmitter(2-wire for duct type)

Temperature-TP04

[www.eyc-tech.com](http://www.eyc-tech.com)

## | Features |

- SS Housing, all-in design with anti-condensation function and good heat dissipation
- Good measuring repeatability and anti-interference
- Monitoring for long-distance temperature signal transmission
- Signal transfer from PT sensor to 4 ... 20 mA
- With SD05 integrated signal indicator for local display(Optional)

## | Applications |

For industries in heating / Ventilation / Air conditioning / Cooling / Water power / Electricity, etc. /  
 For process in agriculture / Green house / Environmental engineering / Food / Pharmaceutical industry /  
 Machinery manufacturing / Storage tank / Compressor / Hydraulic equipment

## | Specifications |

### Input

Input	RTD Pt100 Ω
Pt100 Ω sensor current	<0.8 mA
ZERO adjustment range	±10%
SPAN adjustment range	±10%

### Output

Output	DC 4 ... 20 mA((2-wire)
Accuracy	±0.5% of F.S.
Load resistance	≤ (Supply voltage - 8 V) / 0.02A Ω
Power stability	±0.025% / V
Temperature drift	< ± 0.015%F.S. / °C
Calibration temperature	20 ... 28°C
Response time	< 250 ms

### Electrical

Power supply	DC 10 ... 30 V
Electrical connector	DIN 43650 ABS

### Environment

Medium	Air
Operating Temp.	-20 ... 80°C
Operating humidity	100%RH (Non-condensing)

### Protection

Pt100Ω signal disconnection protection & output	>23 mA
Pt100Ω signal short circuit protection & output	<3 mA
Output polarity protection	Yes
IP rating	IP65

### Certification

Certification	CE
---------------	----

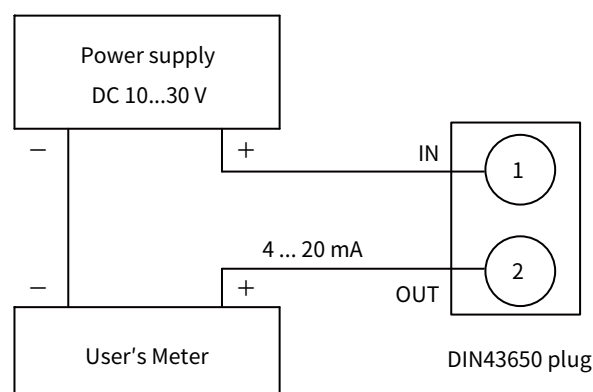
### Material

Housing	SUS304
Weight	50 mm : 250 g / 200 mm : 260 g

### Option

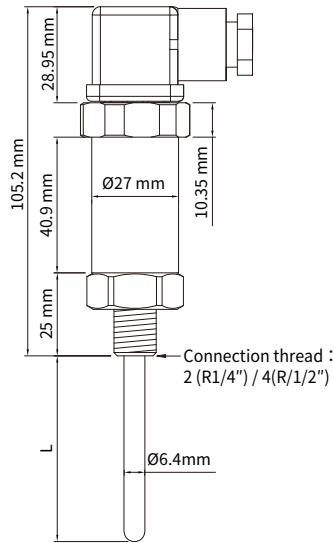
Sleeve pipe / Size	30 / 80 / 130 / 180 mm R1/2" sleeve
--------------------	-------------------------------------

## | Diagram |

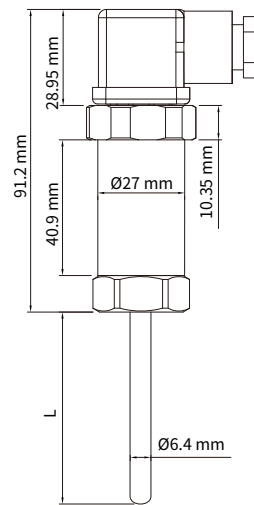


## | Dimension |

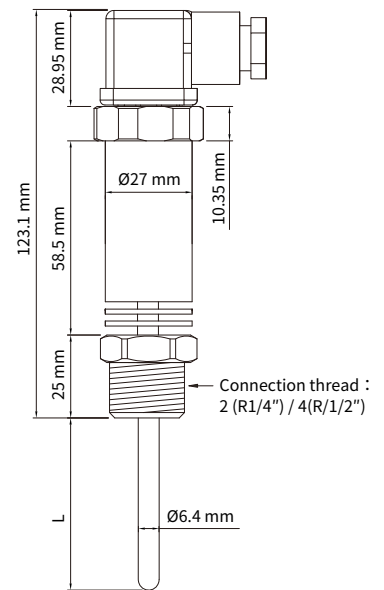
Standard type(0 ... 80°C)



Adjustable outside-thread type



Heat sink type(Max. 100°C)



## | Ordering Guide |

TP04 — **1** — **1** — **4** — **1** — **1** — **0** — **N**

<b>Input</b>	<b>Output</b>	<b>Connection</b>	<b>Length</b>	<b>Temp. range</b>	<b>Housing</b>	<b>Option</b>
1 : Pt100 Ω	1 : 4 ... 20 mA	2 : 1/4"PT outside thread 4 : 1/2"PT outside thread B : 1/2"PT movable outside thread 0 : w/o outside thread W : Special thread	1 : 50 mm 2 : 100 mm 3 : 150 mm 4 : 200 mm 0 : Customization	1 : -50 ... +50°C 3 : 0 ... +50°C 4 : 0 ... +100°C 5 : 0 ... +200°C W : Special span	N : Standard 0 : Heat sink	N : None T : Thermal sleeve* W : Customization

\*Please remark, ex : standard Ø 9.5mm, 1/4"PT or 1/2"PT, material SUS304, the length mm of below the thread.

## | Additional Option Test Report | For more detailed information please contact us.

### ■ ILAC / TAF

YUDEN-TECH CO.,LTD. Calibration Laboratory - ( ILAC / TAF ) Test report.  
(TAF accreditation :3032, complying with ISO / IEC 17025 ) TAF has mutual recognition arrangement with ILAC MRA

Project	Measurand level or range
Resistance thermometer	-40°C ... +300°C
Thermocouple thermometer	-20°C ... +300°C

### ■ ISO 9001

Project	Measurand level or range
RTD / Thermocouple	Resistance thermometer : -40°C ... +300°C
	Thermocouple thermometer : -20°C ... +300°C