

FEATURES

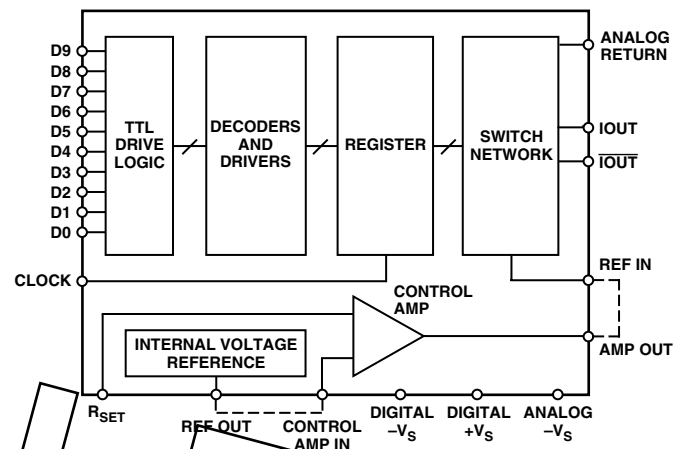
170 MSPS Update Rate
TTL/High Speed CMOS-Compatible Inputs
Wideband SFDR: 66 dB @ 2 MHz/50 dB @ 65 MHz
Pin-Compatible, Lower Cost Replacement for Industry Standard AD9721 DAC
Low Power: 439 mW @ 170 MSPS
Fast Settling: 3.8 ns to 1/2 LSB
Internal Reference
Two Package Styles: 28-Lead SOIC and SSOP

APPLICATIONS

Digital Communications
Direct Digital Synthesis
Waveform Reconstruction
High Speed Imaging
5 MHz to 65 MHz HFC Upstream Path

GENERAL DESCRIPTION

The AD9731 is a 10-bit, 170 MSPS, bipolar D/A converter that is optimized to provide high dynamic performance, yet offer lower power dissipation and more economical pricing than afforded by previous bipolar high performance DAC solutions. The AD9731 was designed primarily for demanding communications systems applications where wideband spurious-free dynamic range (SFDR) requirements are strenuous and could previously only be met by using a high performance DAC such as the industry-standard AD9721. The proliferation of digital communications into base station and high volume subscriber-end markets has created a demand for excellent DAC performance delivered at reduced levels of power dissipation and cost. The AD9731 is the answer to that demand.

FUNCTIONAL BLOCK DIAGRAM


Optimized for direct digital synthesis (DDS) waveform reconstruction, the AD9731 provides 50 dB of wideband harmonic suppression over a dc-to-65 MHz analog output bandwidth. This signal bandwidth addresses the transmit spectrum in many of the emerging digital communications applications where signal purity is critical. Narrowband, the AD9731 provides an SFDR of greater than 79 dB. This excellent wideband and narrowband ac performance, coupled with a lower pricing structure, make the AD9731 the optimum high performance DAC value.

The AD9731 is packaged in 28-lead SOIC (same footprint as the industry-standard AD9721) and super space-saving 28-lead SSOP; both are specified to operate over the extended industrial temperature range of -40°C to $+85^{\circ}\text{C}$.

REV. B

Information furnished by Analog Devices is believed to be accurate and reliable. However, no responsibility is assumed by Analog Devices for its use, nor for any infringements of patents or other rights of third parties that may result from its use. No license is granted by implication or otherwise under any patent or patent rights of Analog Devices. Trademarks and registered trademarks are the property of their respective companies.

AD9731—SPECIFICATIONS

(+V_S = +5 V, -V_S = -5.2 V, CLOCK = 125 MHz, R_{SET} = 1.96 kΩ for 20.4 mA I_{OUT}, V_{REF} = -1.25 V, unless otherwise noted.)

Parameter	Temp	Test Level	Min	Typ	Max	Unit
RESOLUTION			10			Bits
MAX CONVERSION RATE	-40°C to +85°C	IV	170			MHz
DC ACCURACY						
Differential Nonlinearity	25°C	I		0.25	1	LSB
	Full	VI		0.35	1.5	LSB
Integral Nonlinearity	25°C	I		0.6	1	LSB
	Full	VI		0.7	1.5	LSB
INITIAL OFFSET ERROR						
Zero-Scale Offset Error	25°C	I		35	70	μA
	Full	VI		40	100	μA
Full-Scale Gain Error ¹	25°C	I		2.5	5	% FS
	Full	VI		2.5	5	% FS
Offset Drift Coefficient		V		0.04		μA/°C
REFERENCE/CONTROL AMP						
Internal Reference Voltage ²	25°C	I	-1.35	-1.25	-1.15	V
Internal Reference Voltage Drift	Full	IV		100		μV/°C
Internal Reference Output Current ³	Full	VI	-50		+500	μA
Amplifier Input Impedance	25°C	V		50		kΩ
Amplifier Bandwidth	25°C	V		2.5		MHz
REFERENCE INPUT ⁴						
Reference Input Impedance	25°C	V		4.6		kΩ
Reference Multiplying Bandwidth ⁵	25°C	V		75		MHz
OUTPUT PERFORMANCE						
Output Current ^{4,6}	25°C	V		20		mA
Output Compliance	25°C	IV	-1.5		+3	V
Output Resistance	25°C	V		240		Ω
Output Capacitance	25°C	V		5		pF
Voltage Settling Time to 1/2 LSB (t _{ST}) ⁷	25°C	V		3.8		ns
Propagation Delay (t _{PD}) ⁸	25°C	V		2.9		ns
Glitch Impulse ⁹	25°C	V		4.1		pVs
Output Slew Rate ¹⁰	25°C	V		400		V/μs
Output Rise Time ¹⁰	25°C	V		1		ns
Output Fall Time ¹⁰	25°C	V		1		ns
DIGITAL INPUTS						
Input Capacitance	Full	IV		2		pF
Logic "1" Voltage	Full	VI	2.0			V
Logic "0" Voltage	Full	VI			0.8	V
Logic "1" Current	25°C	VI		8	50	μA
Logic "0" Current	25°C	VI		30	100	μA
Data Setup Time (t _S) ¹¹	25°C	IV	2			ns
	Full	IV	2.5			ns
Data Hold Time (t _H) ¹²	25°C	IV	1.0	0.1		ns
	Full	IV	1.0	0.1		ns
Clock Pulsewidth Low (pw _{MIN})	25°C	IV	2			ns
Clock Pulsewidth High (pw _{MAX})	25°C	IV	2			ns
SFDR PERFORMANCE (Wideband) ¹³						
A _{OUT} = 0 dBFS						
2 MHz f _{OUT}	25°C	V		66		dB
10 MHz f _{OUT}	25°C	V		62		dB
20 MHz f _{OUT}	25°C	V		61		dB
40 MHz f _{OUT}	25°C	V		55		dB
65 MHz f _{OUT} (Clock = 170 MHz)	25°C	V		50		dB
70 MHz f _{OUT} (Clock = 170 MHz)	25°C	V		47		dB

SPECIFICATIONS

Parameter	Temp	Test Level	Min	Typ	Max	Unit
SFDR PERFORMANCE (Narrowband) ¹³						
2 MHz; 2 MHz Span	25°C	V		79		dB
25 MHz; 2 MHz Span	25°C	V		61		dB
10 MHz; 5 MHz Span (Clock = 170 MHz)	25°C	V		73		dB
INTERMODULATION DISTORTION ¹⁴						
F1 = 800 kHz, F2 = 900 kHz	25°C	V		58		dB
POWER SUPPLY ¹⁵						
Digital -V Supply Current	25°C	I		27	37	mA
Full		VI		27	42	mA
Analog -V Supply Current	25°C	I		45	53	mA
Full		VI		45	66	mA
Digital +V Supply Current	25°C	I		13	20	mA
Full		VI		15	22	mA
Power Dissipation	25°C	V		439		mW
Full		V		449		mW
PSRR	25°C	V		100		μA/V

NOTES

- ¹Measured as an error in ratio of full-scale current to current through R_{SET} (640 μA nominal); ratio is nominally 32. DAC load is virtual ground.
- ²Internal reference voltage is tested under load conditions specified in Internal Reference Output current specification.
- ³Internal reference output current defines load conditions applied during Internal Reference Voltage test.
- ⁴Full-scale current variations among devices are higher when driving REFERENCE_IN directly.
- ⁵Frequency at which a 3 dB change in output of DAC is observed; R_L = 50 Ω; 100 mV modulation at midscale.
- ⁶Based on I_{FS} = 32 (CONTROL AMP IN/R_{SET}) when using internal control amplifier. DAC load is virtual ground.
- ⁷Measured as voltage settling at midscale transition to ±0.5 LSB, R_L = 50 Ω.
- ⁸Measured from 50% point of rising edge of CLOCK signal to 1/2 LSB change in output signal.
- ⁹Peak glitch impulse is measured as the largest area under a single positive or negative transient.
- ¹⁰Measured with R_L = 50 Ω and DAC operating in latched mode.
- ¹¹Data must remain stable for specified time prior to rising edge of CLOCK.
- ¹²Data must remain stable for specified time after rising edge of CLOCK.
- ¹³SFDR is defined as the difference in signal energy between the full-scale fundamental signal and worst-case spurious frequencies in the output spectrum window. The frequency span is dc-to-Nyquist unless otherwise noted.
- ¹⁴Intermodulation distortion is the measure of the sum and difference products produced when a two-tone input is driven into the DAC. The distortion products created will manifest themselves at (2F₂-F₁) and (2F₁-F₂) of the two tones.
- ¹⁵Supply voltages should remain stable within ±5% for nominal operation.

Specifications subject to change without notice.

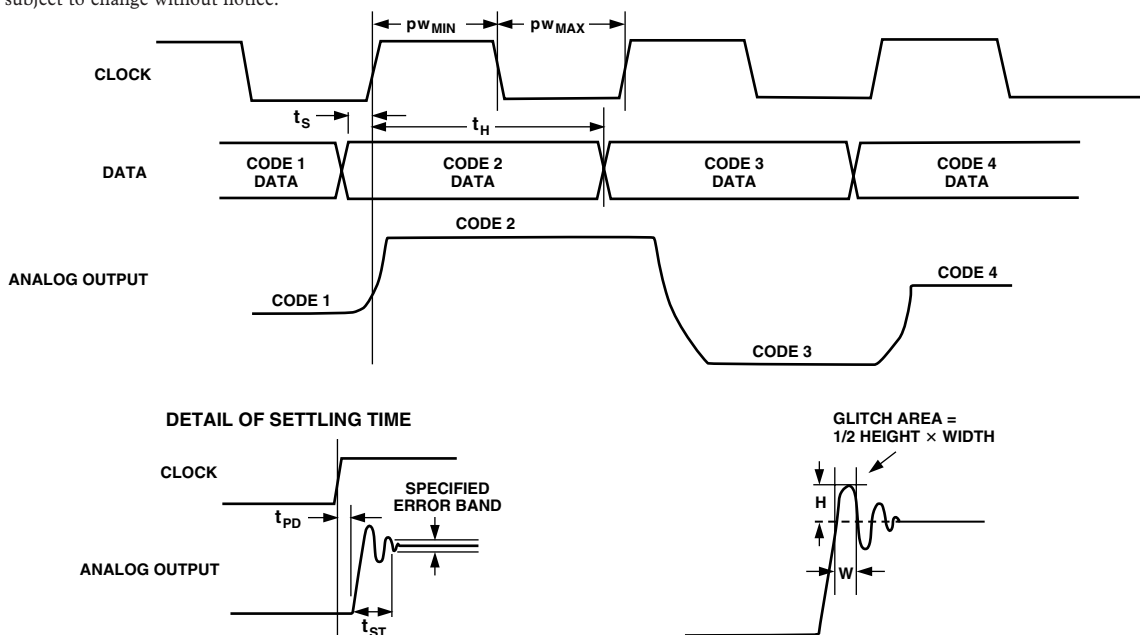


Figure 1. Timing Diagrams

AD9731

ABSOLUTE MAXIMUM RATINGS*

Analog Output	$-V_S$ to $+V_S$
$+V_S$	+6 V
Digital Inputs	-0.7 V to $+V_S$
$-V_S$	-7 V
Analog Output Current	30 mA
Control Amplifier Input Voltage Range	0 V to -4 V
Reference Input Voltage Range	0 V to $-V_S$
Maximum Junction Temperature	150°C
Operating Temperature Range	-40°C to +85°C
Internal Reference Output Current	500 μ A
Lead Temperature (10 sec Soldering)	300°C
Storage Temperature	-65°C to +165°C
Control Amplifier Output Current	± 2.5 mA

*Stresses above those listed under Absolute Maximum Ratings may cause permanent damage to the device. This is a stress rating only; functional operation of the device at these or any other conditions above those indicated in the operational sections of this specification is not implied. Exposure to absolute maximum rating conditions for extended periods may affect device reliability.

EXPLANATION OF TEST LEVELS

Test Level	Definition
I	100% production tested
II	The parameter is 100% production tested at 25°C; sampled at temperature production.
III	Sample tested only
IV	Parameter is guaranteed by design and characterization testing.
V	Parameter is a typical value only.
VI	All devices are 100% production tested at 25°C; guaranteed by design and characterization testing for industrial temperature range devices.

ORDERING GUIDE

Model	Temperature Range	Package Description	Package Options
AD9731BR	-40°C to +85°C	28-Lead Wide Body (SOIC)	R-28
AD9731BR-REEL	-40°C to +85°C	28-Lead Wide Body (SOIC)	R-28
AD9731BRS	-40°C to +85°C	28-Lead Shrink Small (SSOP)	RS-28
AD9731BRS-REEL	-40°C to +85°C	28-Lead Shrink Small (SSOP)	RS-28
AD9731-PCB	0°C to 70°C	PCB	

CAUTION

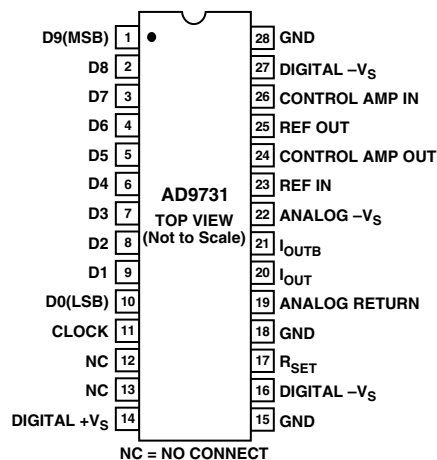
ESD (electrostatic discharge) sensitive device. Electrostatic charges as high as 4000 V readily accumulate on the human body and test equipment and can discharge without detection. Although the AD9731 features proprietary ESD protection circuitry, permanent damage may occur on devices subjected to high energy electrostatic discharges. Therefore, proper ESD precautions are recommended to avoid performance degradation or loss of functionality.



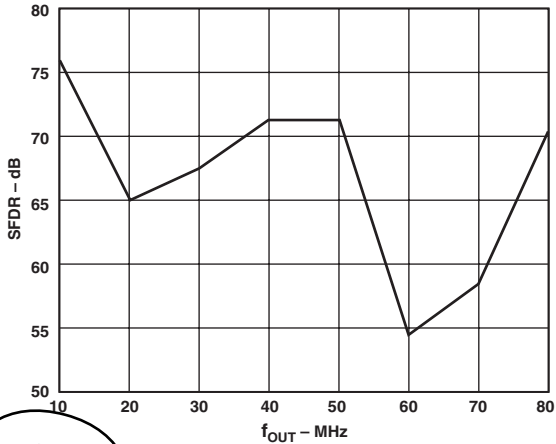
PIN FUNCTION DESCRIPTIONS

Pin No.	Mnemonic	Function
1	D9(MSB)	Most significant data bit of digital input word
2–9	D8–D1	Eight bits of 10-bit digital input word
10	D0(LSB)	Least significant data bit of digital input word
11	CLOCK	TTL-compatible edge-triggered latch enable signal for on-board registers
12, 13	NC	No internal connection to this pin
14	DIGITAL +V _S	5 V supply voltage for digital circuitry
15, 18, 28	GND	Converter ground
16	DIGITAL –V _S	–5.2 V supply voltage for digital circuitry
17	R _{SET}	Connection for external reference set resistor; nominal 1.96 k Ω . Full-scale output current = 32 (control amp in V/R _{SET}).
19	ANALOG RETURN	Analog return. This point and the reference side of the DAC load resistors should be connected to the same potential (nominally ground).
20	I _{OUT}	Analog current output; full-scale current occurs with a digital word input of all “1s.” With external load resistor, output voltage = I _{OUT} (R _{LOAD} R _{INTERNAL}). R _{INTERNAL} is nominally 240 Ω .
21	I _{OUTB}	Complementary analog current output; full-scale current occurs with a digital word input of all “0s.”
22	ANALOG –V _S	Negative analog supply, nominally –5.2 V
23	REF IN	Normally connected to CONTROL AMP OUT (Pin 24). Direct line to DAC current source network. Voltage changes (noise) at this point have a direct effect on the full-scale output current of the DAC. Full-scale current output = 32 (CONTROL AMP IN/R _{SET}) when using the internal amplifier. DAC load is virtual ground.
24	CONTROL AMP OUT	Normally connected to REF IN (Pin 23). Output of internal control amplifier that provides a reference for the current switch network.
25	REF OUT	Normally connected to CONTROL AMP IN (Pin 26). Internal voltage reference, nominally –1.25 V.
26	CONTROL AMP IN	Normally connected to REF Out (Pin 25) if not connected to external reference.
27	DIGITAL –V _S	Negative digital supply, nominally –5.2 V.

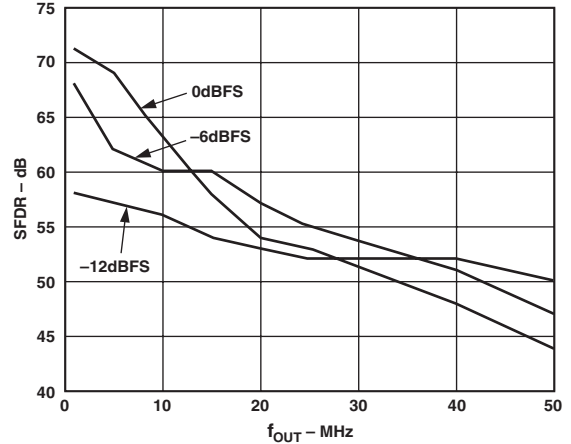
PIN CONFIGURATION



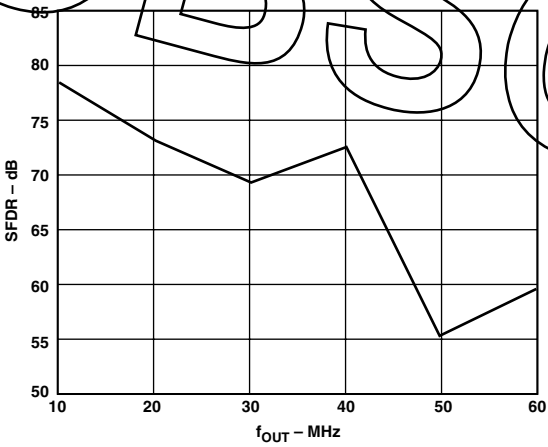
AD9731—Typical Performance Characteristics



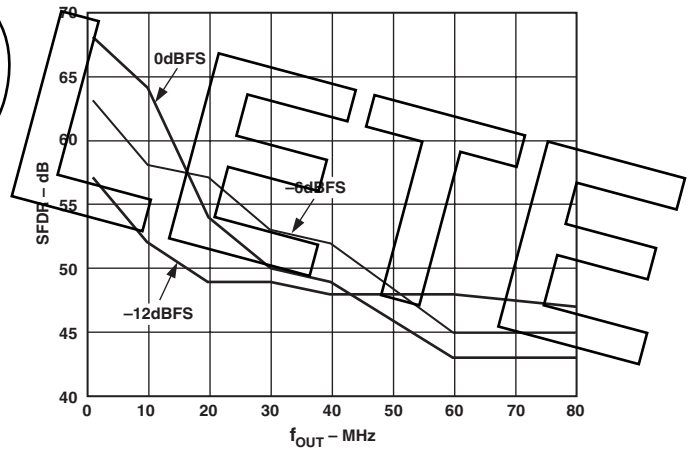
TPC 1. Narrowband SFDR (Clock = 170 MHz) vs. f_{OUT} Frequency



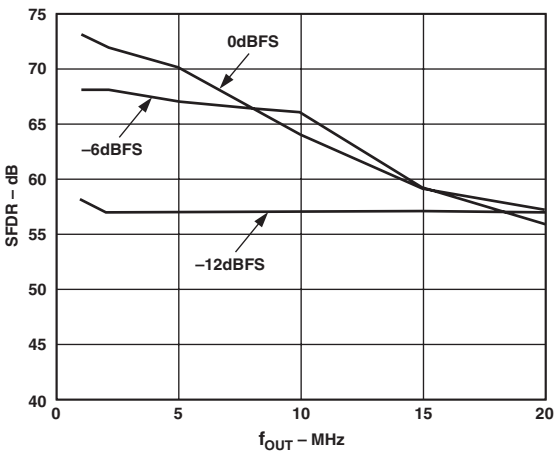
TPC 4. Wideband SFDR, $f_{CLK} = 125$ MSPS



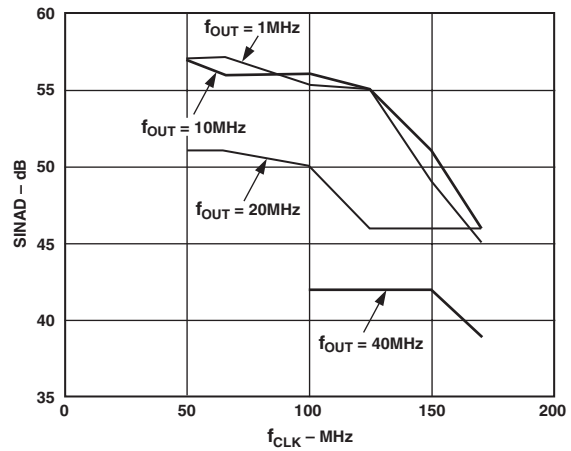
TPC 2. Narrowband SFDR (Clock = 125 MHz) vs. f_{OUT} Frequency



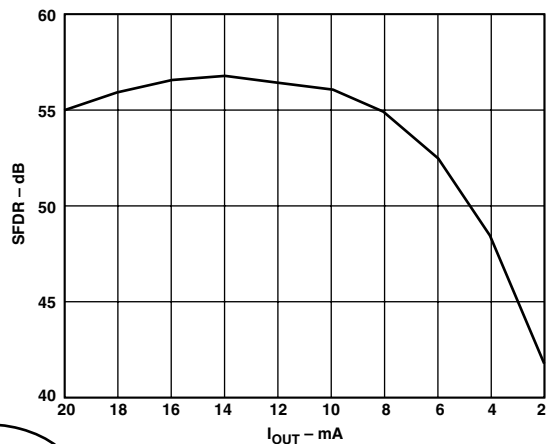
TPC 5. Wideband SFDR, $f_{CLK} = 170$ MSPS



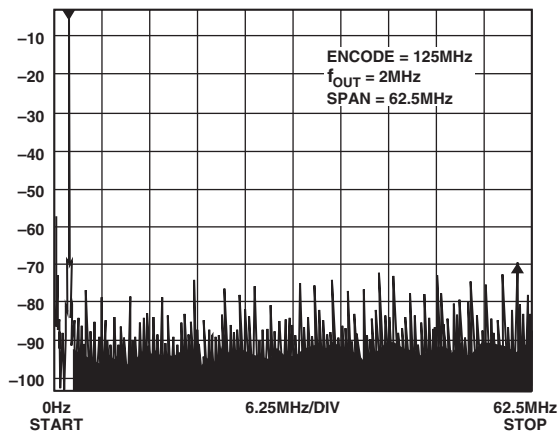
TPC 3. Wideband SFDR, $f_{CLK} = 50$ MSPS



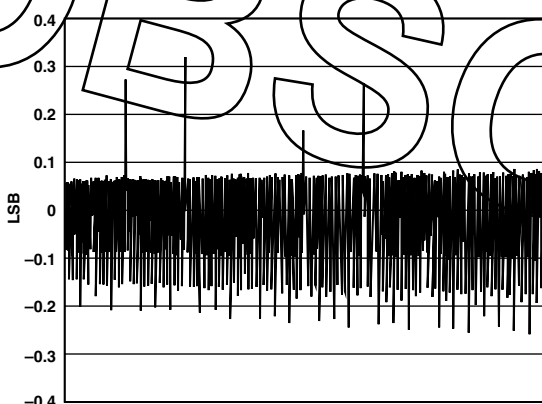
TPC 6. SINAD, $A_{OUT} = 0$ dBFS



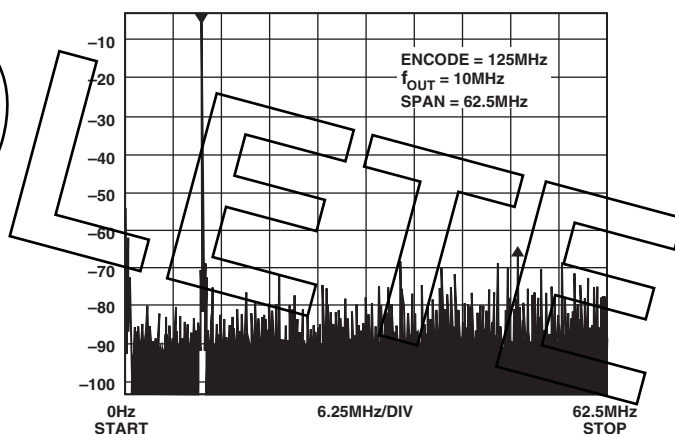
TPC 7. SFDR vs. I_{OUT} (Clock = 125 MHz/ f_{OUT} = 40 MHz)



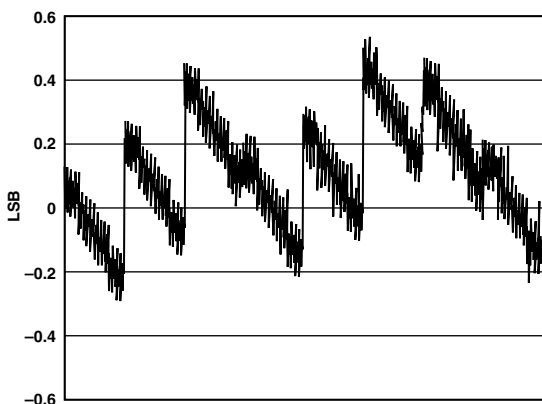
TPC 10. Wideband SFDR 2 MHz f_{OUT} ; 125 MHz Clock



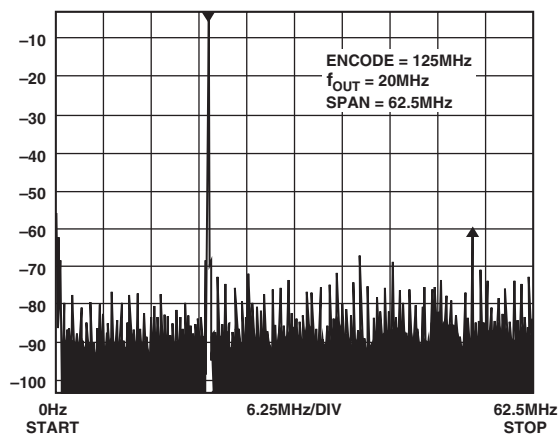
TPC 8. Typical Differential Nonlinearity Performance (DNL)



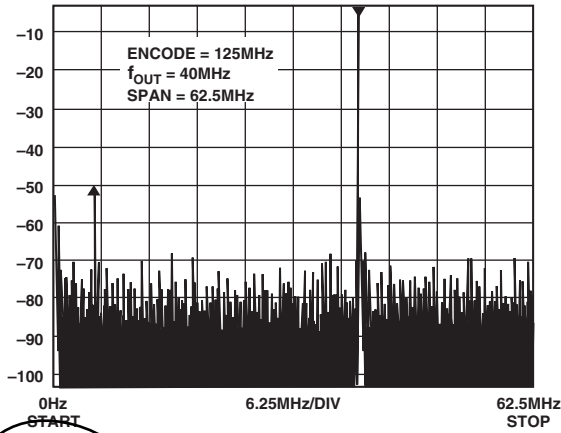
TPC 11. Wideband SFDR 10 MHz f_{OUT} ; 125 MHz Clock



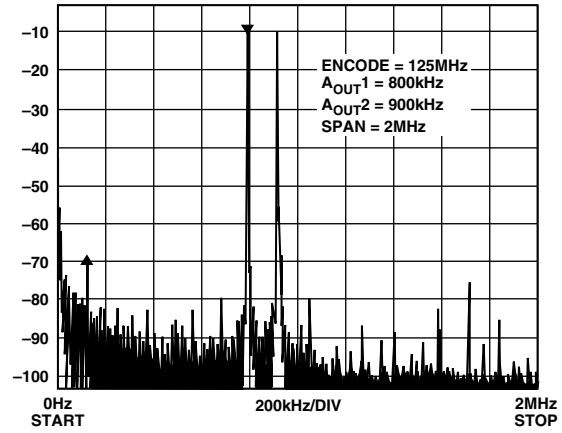
TPC 9. Typical Integral Nonlinearity Performance (INL)



TPC 12. Wideband SFDR 20 MHz f_{OUT} ; 125 MHz Clock

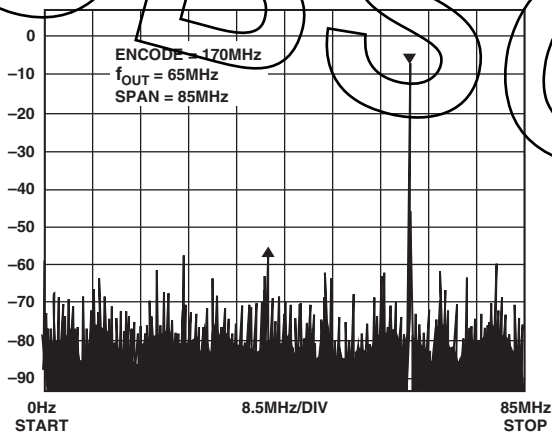


TPC 13. Wideband SFDR 40 MHz f_{OUT} ; 125 MHz Clock

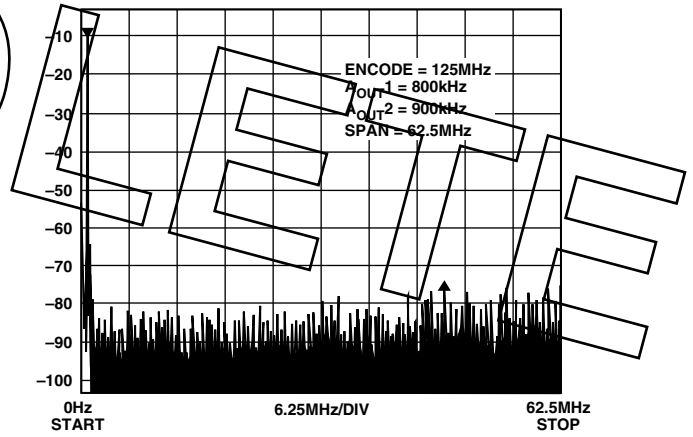


TPC 16. Wideband Intermodulation Distortion $F1 = 800 \text{ kHz}$; $F2 = 900 \text{ kHz}$; 125 MHz Clock; Span = 2 MHz

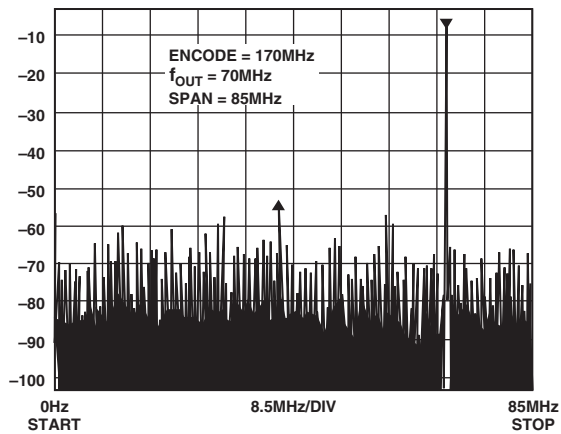
OBSO



TPC 14. Wideband SFDR 65 MHz f_{OUT} ; 170 MHz Clock



TPC 17. Wideband Intermodulation Distortion $F1 = 800 \text{ kHz}$; $F2 = 900 \text{ kHz}$; 125 MHz Clock; Span = 62.5 MHz



TPC 15. Wideband SFDR 70 MHz f_{OUT} ; 170 MHz Clock

THEORY AND APPLICATIONS

The AD9731 high speed digital-to-analog converter utilizes most significant bit decoding and segmentation techniques to reduce glitch impulse and deliver high dynamic performance on lower power consumption than previous bipolar DAC technologies.

The design is based on four main subsections: the decoder/driver circuits, the edge-triggered data register, the switch network, and the control amplifier. An internal band gap reference is included to allow operation of the device with minimum external support components.

Digital Inputs/Timing

The AD9731 has TTL/high speed CMOS-compatible single-ended inputs for data inputs and clock. The switching threshold is 1.5 V.

In the decoder/driver section, the three MSBs are decoded to seven “thermometer code” lines. An equalizing delay is included for the seven least significant bits and the clock signals. This delay minimizes data skew and data setup and hold times at the register inputs.

The on-board register is rising edge triggered and should be used to synchronize data to the current switches by applying a pulse with proper data setup and hold times as shown in the timing diagram. Although the AD9731 is designed to provide isolation of the digital inputs to the analog output, some coupling of digital transitions is inevitable. Digital feedthrough can be minimized by forming a low pass filter at the digital input by using a resistor in series with the capacitance of each digital input. This common high speed DAC application technique has the effect of isolating digital input noise from the analog output.

Input Clock and Data Timing Relationship

SINAD in a DAC is dependent on the relationship between the position of the clock edges and the point in time at which the input data changes. The AD9731 is rising edge triggered, and so exhibits SINAD sensitivity when the data transition is close to this edge. In general, the goal when applying the AD9731 is to make the data transition close to the falling clock edge. This becomes more important as the sample rate increases. Figure 2 shows the relationship of SINAD to clock placement from the AD9731 and a competitive part, both sampling at 125 MSPS. The AD9731 has excellent performance as far as the narrowness of the “window” in which it is sensitive to SINAD.

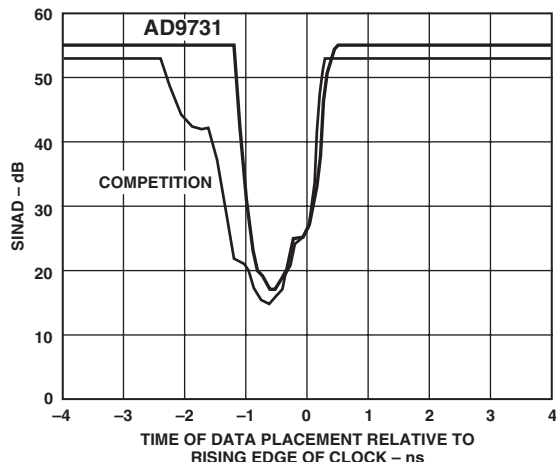


Figure 2. SINAD vs. Clock Placement; $f_{CLK} = 125$ MSPS, $f_{OUT} = 20$ MHz

References

The internal band gap reference, control amplifier, and reference input are pinned out to provide maximum user flexibility in configuring the reference circuitry for the AD9731. When using the internal reference, REF OUT (Pin 25) should be connected to CONTROL AMP IN (Pin 26). CONTROL AMP OUT (Pin 24) should be connected to REF IN (Pin 23). A $0.1 \mu\text{F}$ ceramic capacitor connected from Pin 23 to Analog $-V_S$ (Pin 22) improves settling time by decoupling switching noise from the current sink baseline. A reference current cell provides feedback to the control amplifier by sinking current through R_{SET} (Pin 17).

Full-scale current is determined by CONTROL AMP IN and R_{SET} according to the following equation:

$$I_{OUT} (FS) = 32(\text{CONTROL AMP IN}/R_{SET})$$

The internal reference is nominally -1.25 V with a tolerance of $\pm 8\%$ and typical drift over temperature of $100 \text{ ppm}/^\circ\text{C}$. If greater accuracy or temperature stability is required, an external reference can be used. The AD589 reference features $10 \text{ ppm}/^\circ\text{C}$ drift over the 0°C to 70°C temperature range.

Two modes of multiplying operation are possible with the AD9731. Signals with bandwidths up to 2.5 MHz and input swings from -0.6 V to -1.2 V can be applied to the CONTROL AMP IN pin as shown in Figure 3. Because the control amplifier is internally compensated, the $0.1 \mu\text{F}$ capacitor discussed above can be reduced to maximize the multiplying bandwidth. However, it should be noted that output settling time, for changes in the digital word, will be degraded.

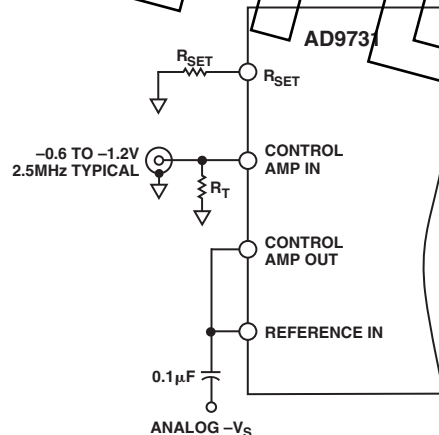


Figure 3. Low Frequency Multiplying Circuit

AD9731

The REFERENCE IN pin can also be driven directly for wider bandwidth multiplying operation. The analog signal for this mode of operation must have a signal swing in the range of -3.3 V to -4.25 V . This can be implemented by capacitively coupling into REFERENCE IN a signal with a dc bias of -3.3 V ($I_{\text{OUT}} \approx 22.5\text{ mA}$) to -4.25 V ($I_{\text{OUT}} \approx 3\text{ mA}$), as shown in Figure 4, or by dividing REFERENCE IN with a low impedance op amp whose signal swing is limited to the stated range.

NOTE: When using an external reference, the external reference voltage must be applied prior to applying $-V_S$.

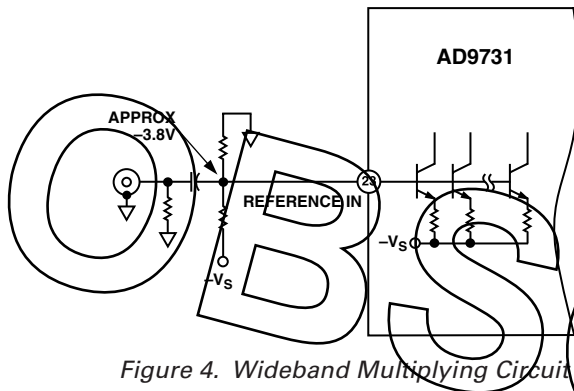


Figure 4. Wideband Multiplying Circuit

Analog Output

The switch network provides complementary current outputs I_{OUT} and I_{OUTB} . The design of the AD9731 is based on statistical current source matching, which provides a 10-bit linearity without trim. Current is steered to either I_{OUT} or I_{OUTB} in proportion to the digital input word. The sum of the two currents is always equal to the full-scale output current minus 1 LSB. The current can be converted to a voltage by resistive loading as shown in the block diagram. Both I_{OUT} and I_{OUTB} should be equally loaded for best overall performance. The voltage that is developed is the product of the output current and the value of the load resistor.

An operational amplifier can also be used to perform the I-to-V conversion of the DAC output. Figure 5 shows an example of a circuit that uses the AD9631, a high speed, current feedback amplifier. The resistor values in Figure 5 provide a 4.096 V swing, centered at ground, at the output of the AD9631 amplifier.

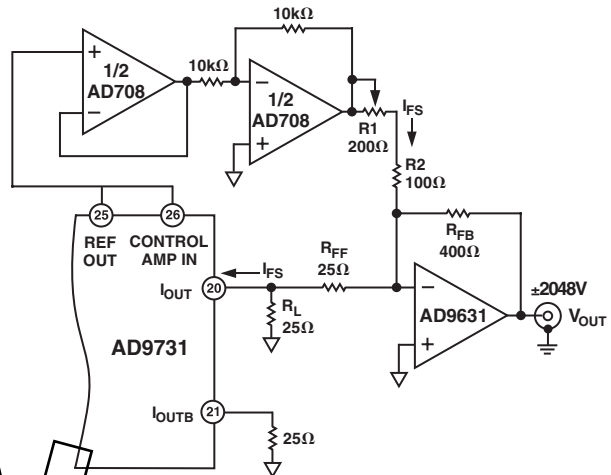


Figure 5. I-to-V Conversion Using a Current Feedback Amplifier

EVALUATION BOARD

The performance characteristics of the AD9731 make it ideally suited for direct digital synthesis (DDS) and other waveform synthesis applications. The AD9731 evaluation board provides a platform for analyzing performance under optimum layout conditions. The AD9731 also provides a reference for high speed circuit board layout techniques.

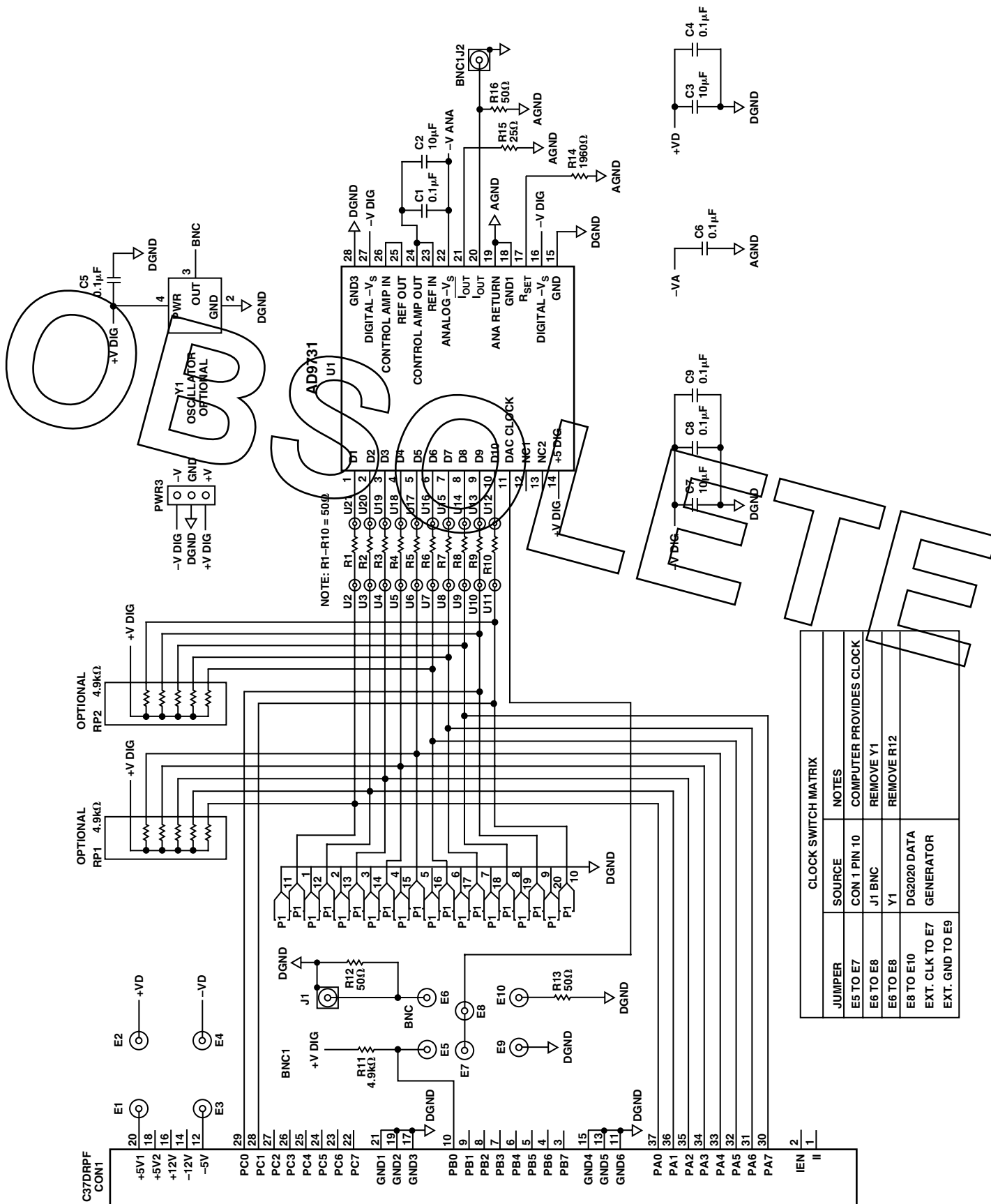
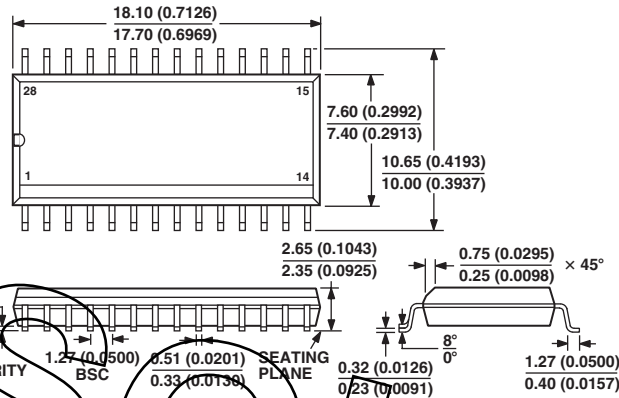


Figure 6. PCB Evaluation Board Schematic

OUTLINE DIMENSIONS

28-Lead Standard Small Outline Package [SOIC]
Wide Body
(R-28)

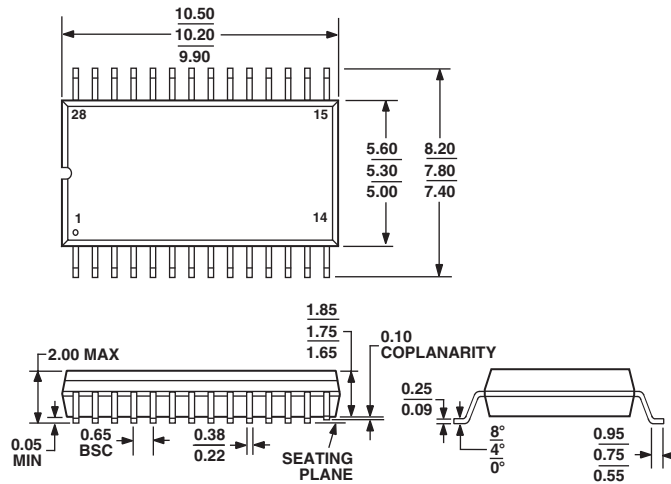
Dimensions shown in millimeters and (inches)



COMPLIANT TO JEDEC STANDARDS MS-013AE
CONTROLLING DIMENSIONS ARE IN MILLIMETERS; INCH DIMENSIONS
(IN PARENTHESES) ARE ROUNDED-OFF MILLIMETER EQUIVALENTS FOR
REFERENCE ONLY AND ARE NOT APPROPRIATE FOR USE IN DESIGN

28-Lead Shrink Small Outline Package [SSOP]
(RS-28)

Dimensions shown in millimeters



COMPLIANT TO JEDEC STANDARDS MO-150AH

OBSOLETE

Revision History

Location	Page
5/03–Data Sheet changed from REV. A to REV. B.	
Renumbered Figures and TPCs	Universal
Changes to SPECIFICATIONS	2
Changes to ORDERING GUIDE	4
Updated TPCs 1, 2, 7, 10–15	6
Added TPCs 3, 4, 5, 6	6
Added Input Clock and Data Timing Relationship section and Figure 2	9
Updated Figure 5	10
Updated OUTLINE DIMENSIONS	12