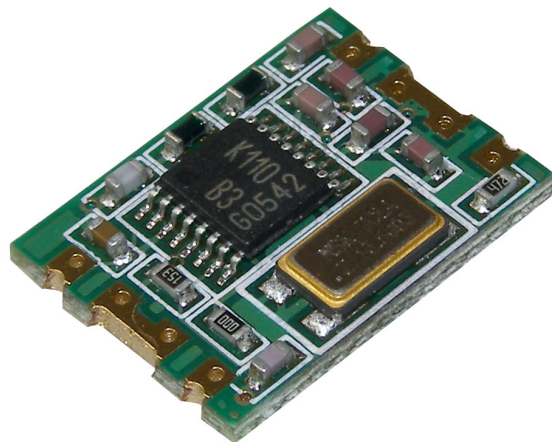


Features

- Complete RF Transmitter
- Transmit Range Up To 100m*
- CMOS / TTL Input
- No Adjustable Components
- Very Stable Operating Frequency
- Low Current Consumption (Typ 15mA)
- LV TTL Operating Voltage (2.2-3.5v)
- FSK Modulation
- Efficient Power Amplifier



Applications

- Wireless Security Systems
- Car Alarms
- Remote Controls
- Remote Sensing
- Data Capture
- Automation systems

Description

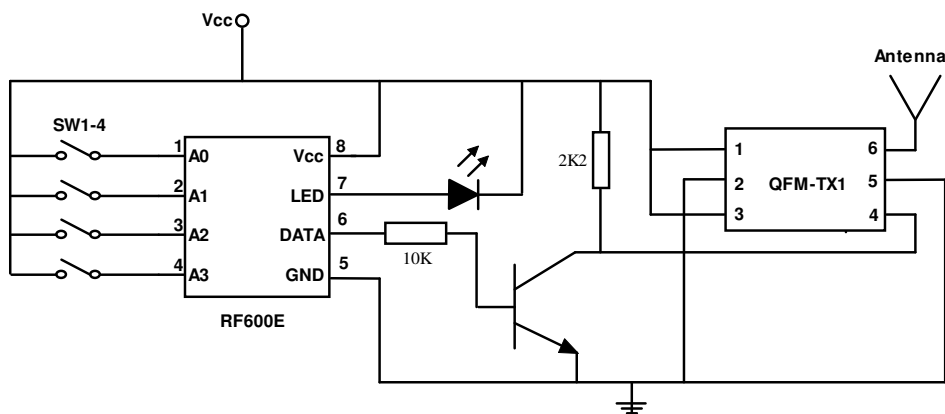
The Quasar UK FM hybrid transmitter module provides a complete RF transmitter which can be used to transmit data at up to 4.8Kbps from any standard CMOS/TTL source.

The module is very simple to operate and offers low current consumption (typ. 15mA). Data can be supplied directly from a microprocessor or encoding device, thus keeping the component count down and ensuring a low hardware cost.

The modules are compatible with the QuasarUK QFM-RX1-433 FM receiver operating at 434.2MHz (within the 433 band) to provide a complete wireless solution.

Typical Application

For further information on this circuit please refer to the RF Solutions Ltd datasheet, DS600.

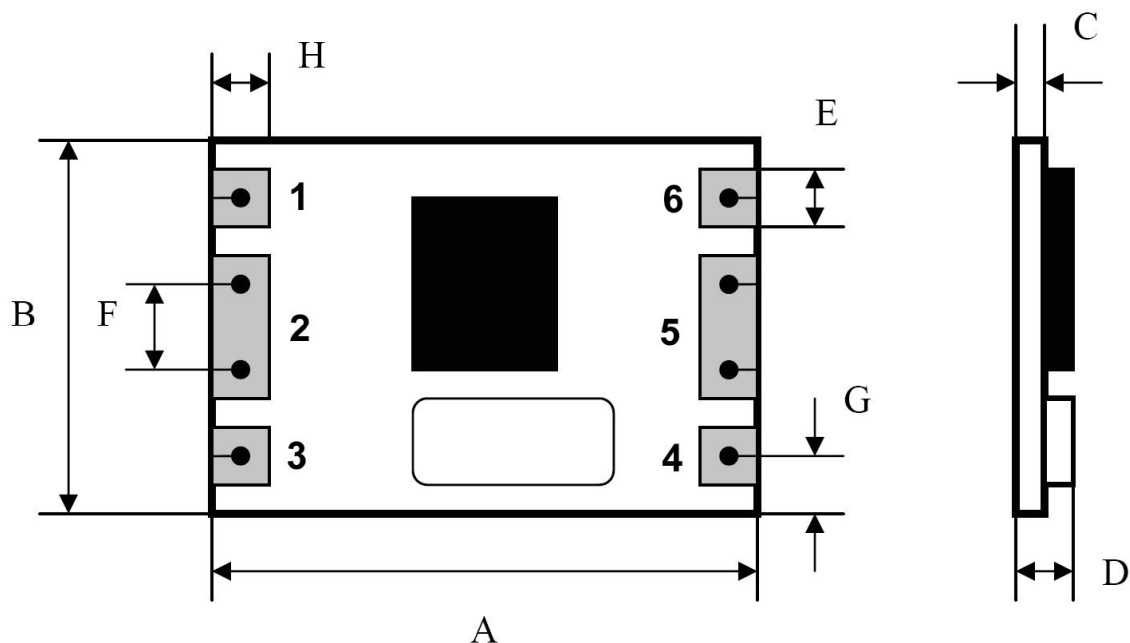


Part Numbering

Part Number	Description
QFM-TX1-433	FM Transmitter Module, 434.2MHz

*Range stated is for modules used in direct line of sight, adverse conditions may reduce the maximum range.

Technical Specifications



Dimensions

Pin	Measurements (mm)
A	16.802
B	12.501
C	2.0
D	2.5

Pin	Measurements (mm)
E	1.351
F	2.54
G	2.4
H	2.6

Pin Descriptions

Pin	Name	Description
1	Vcc	Supply Voltage
2, 5	GND	Ground
3	Enable	Supply Voltage
4	Data	Data Input
6	ANT	External Antenna

Electrical Characteristics

Ambient temp = 25°C unless otherwise stated.

Characteristic	Min.	Typ.	Max.	Dimensions
Supply Voltage	2.2	3	3.5	Vdc
Supply Current (Vcc=3V IN=1kHz)		15		mA
Standby Current		0.5		uA
Working Frequency		434.2		MHz
Output Power		10		dBm
Turn on Time (from Standby)		1		ms
Data Rate	200		4,800	Hz
Operating Temperature	-20		+85	°C

Information contained in this document is believed to be accurate, however no representation or warranty is given and no liability is assumed by Quasar (UK) Ltd. with respect to the accuracy of such information. Use of products as critical components in life support systems is not authorised except with express written approval from Quasar (UK) Ltd.



QuasarUK is an internet based company. All Sales / support and interface is via our website at

www.quasaruk.co.uk

for Sales:

Sales : sales@quasaruk.co.uk

for Support:

Support : sales@quasaruk.co.uk

Support Tel: 0907 639 0000

Calls charged at £0.60 per minute from a BT landline other networks may vary. Callers must be 18 or over and have the bill payers permission. Service provided by StealthNET Ltd :08444150774