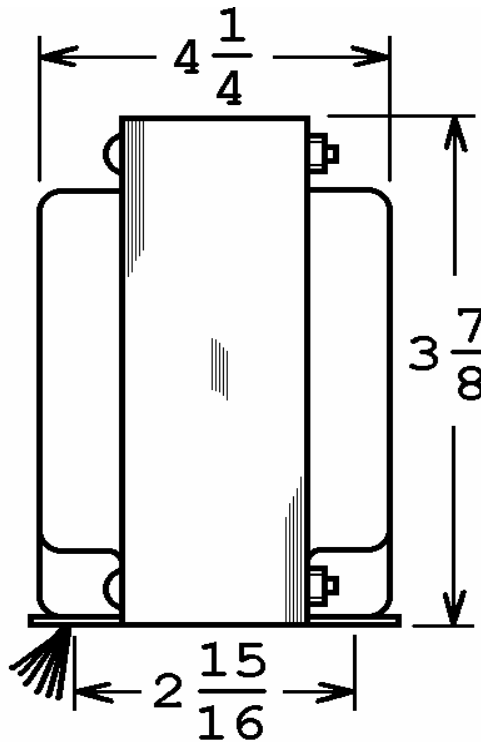


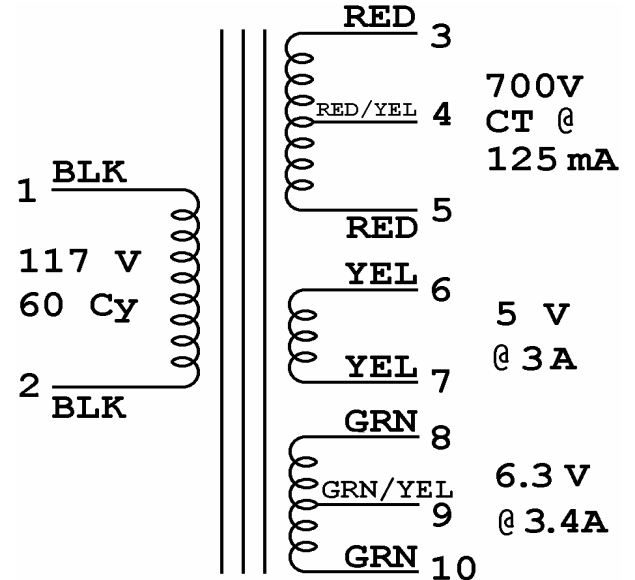
40-18060

This drawing is the property of Magnetic Components, Inc. and shall not be reproduced, in whole or in part, without the written permission of Magnetic Components, Inc.

REVISIONS		DATE	APPROVED
LTR	DESCRIPTION		
A	5V WAS @ 2A	04/02/12	M. Sacketti



$\frac{13}{64} \times \frac{3}{8}$ SLOT (4 PL)



VALCO :
330-3738
E-3738
E-3738A

UNLESS OTHERWISE SPECIFIED	
ALL DIMENSIONS IN INCHES DO NOT SCALE DRAWING	
FRACTIONS +/-	
.X = +/-	
.XX = +/-	
.XXX = +/-	
ANGLES = +/-	

SIGNATURES		DATE
DRAWN :	<i>M. Sacketti</i>	07 FEB 11
CHECK :		
APPR :	<i>M. Sacketti</i>	07 FEB 11

DRAWING No. : OOA-85368	
MAGNETIC COMPONENTS, INC.	
DIV : LOC : SCHILLER PK	
TITLE POWER TRANSFORMER	
CAGE	50508
SIZE	A
PART No.	40-18060
SCALE	NONE
REV	A
SHEET :	