

Specifications

Electrical Ratings	5A @ 120VAC, 28VDC 2A @ 250VAC See Contact Options	Dielectric Strength	1500Vrms min
Electrical Life	30,000 cycles typical	Insulation Resistance	>100MΩ min
Contact Resistance	<20mΩ initial @ 2-4VDC, 100mA	Operating Temperature	-40°C to 85°C
		Storage Temperature	-40°C to 85°C
		Sealing Degree	IP67

Materials

Actuator	6/6 Nylon, Glass Filled, Flame Retardant Heat Stabilized, UL94V-0
Housing	6/6 Nylon, Glass Filled, Flame Retardant Heat Stabilized, UL94V-0
Support Bracket	Brass, Tin Plated
Contacts	Copper Alloy, Silver Plated or Gold Plated
Terminals	Copper Alloy, Silver Plated or Gold Plated

Ordering Information

1. Series	ASR	1	3	R11	2			C	Q
ASR									
2. Number of Poles									
1 = SPDT									
2 = DPDT									
3 = 3PDT Available Switch Function 1 only									
3. Switch Function									
1 = ON-NONE-ON									
2 = ON-NONE-(ON) Not available in 3PDT									
3 = ON-OFF-ON Not available in 3PDT									
4 = (ON)-OFF-(ON) Not available in 3PDT									
5 = ON-OFF-(ON) Not available in 3PDT									
6 = ON-ON-ON** Not available in 3PDT									
4. Actuator									
R11P / R11 = Rocker, PC mount / Panel mount									
R21P / R21 = Rocker, PC mount / Panel mount									
P13P / P13 = Paddle, PC mount / Panel mount									
P23P / P23 = Paddle, PC mount / Panel mount									
R15P = Rocker, PC mount									
R43P = Rocker, PC mount									
R47P = Rocker, PC mount									
R48P = Rocker, PC mount									
5. Actuator Color									
1 = White									
2 = Black									
3 = Red									
4 = Orange									
5 = Yellow									
6 = Green									
7 = Blue									
8 = Brown									
9 = Gray									
6. Actuator Marking Style									
Blank = No Marking									
A, B, C, D, E, F, G									
7. Actuator Marking Color									
Blank = No marking									
W = White, standard									
B = Black									
8. Terminals									
B = Solder Lugs									
C = PC pin									
D = Quick Connect									
H = Horizontal mount, right angle PC pin									
HS = Horizontal mount, right angle Snap-in									
V = Vertical mount, right angle PC pin									
S20 = PC pin with support bracket									
S25 = PC pin with support bracket									
V20 = Snap-in support bracket									
V25 = Snap-in support bracket									
9. Contacts									
Q = Silver plated									
R = Gold plated									
G = Gold over Silver plated									

**See Three Way Wiring Section for details

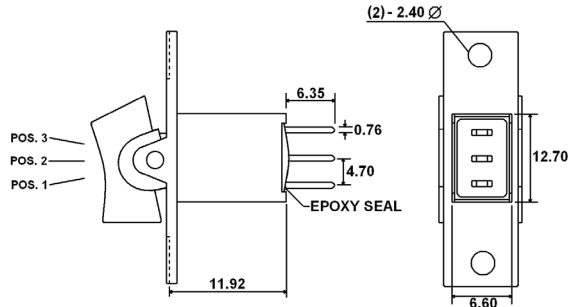
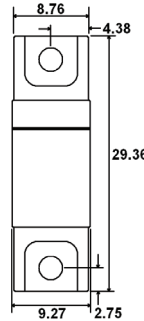
Switch Function



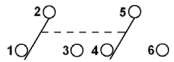
SPDT



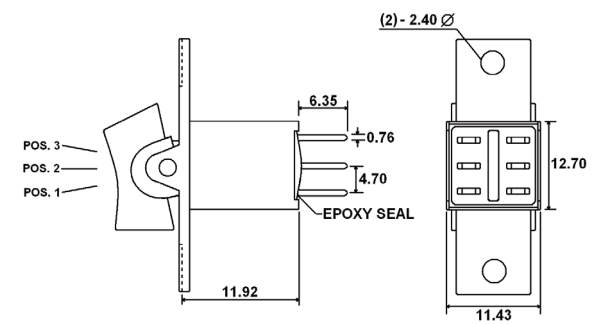
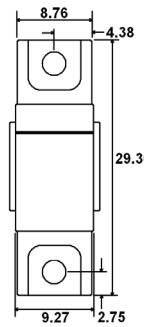
Function	Rocker Position		
1	ON	NONE	ON
2	ON	NONE	(ON)
3	ON	OFF	ON
4	(ON)	OFF	(ON)
5	ON	OFF	(ON)
Terminals	2-3	-	2-1



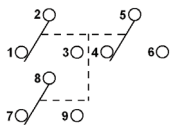
DPDT



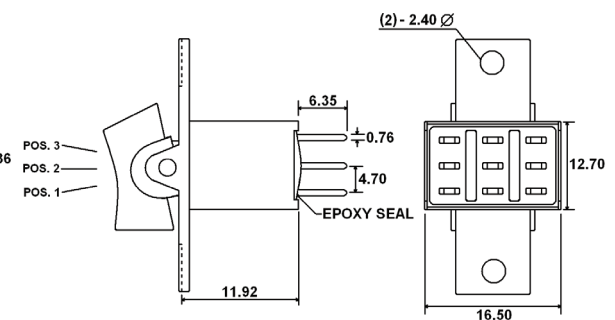
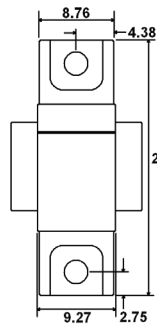
Function	Rocker Position		
1	ON	NONE	ON
2	ON	NONE	(ON)
3	ON	OFF	ON
4	(ON)	OFF	(ON)
5	ON	OFF	(ON)
6	ON	ON	ON
Terminals	2-3	-	2-1
Terminals	2-3	2-3	2-1
	5-6	5-4	5-4



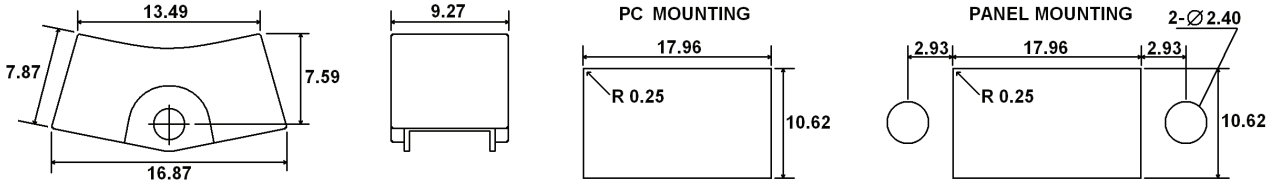
3PDT



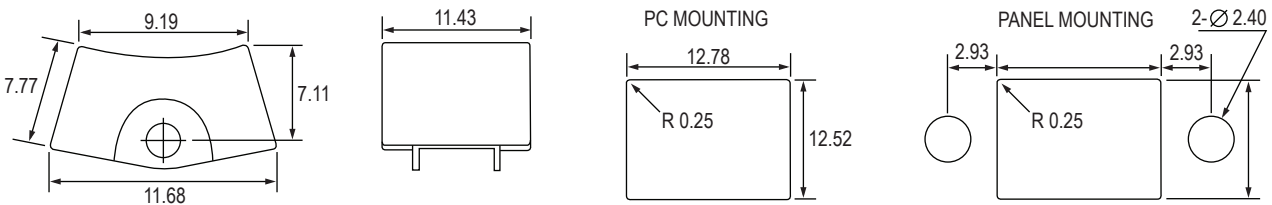
Function	Rocker Position		
1	ON	NONE	ON
2	ON	NONE	(ON)
3	ON	OFF	ON
4	(ON)	OFF	(ON)
5	ON	OFF	(ON)
Terminals	2-3	-	2-1
	5-6		5-4
	8-9		8-7



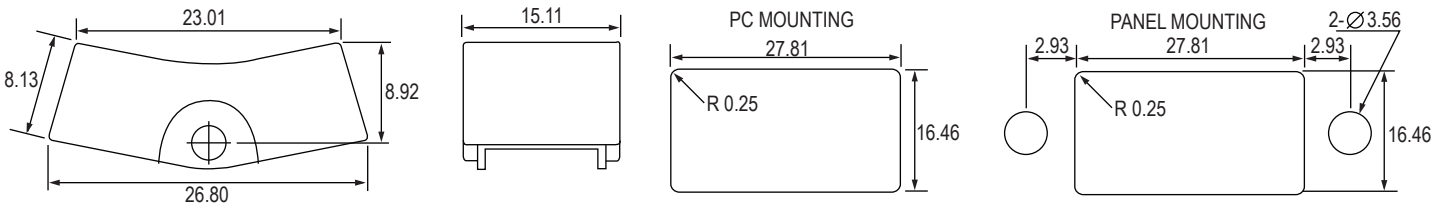
Actuator Options



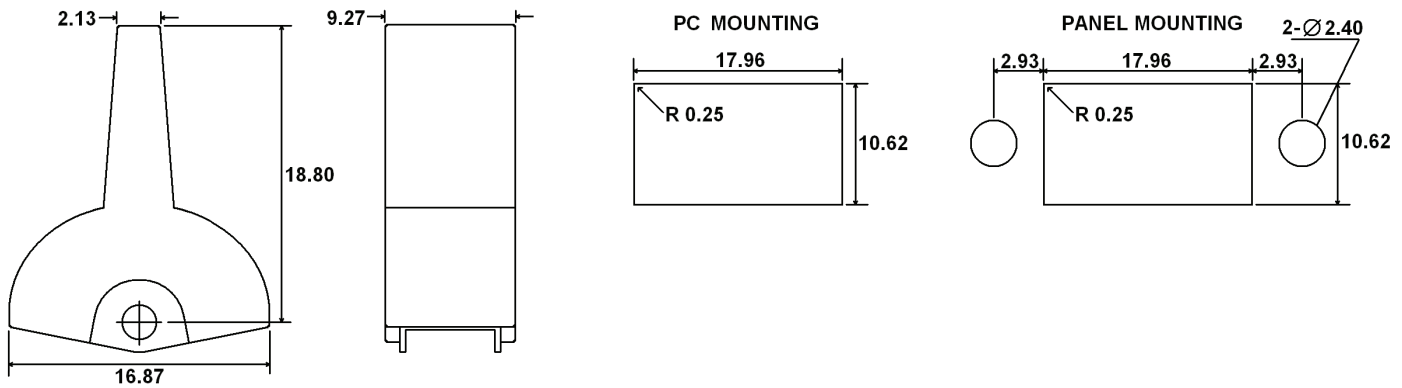
R11P / R11



R21P / R21

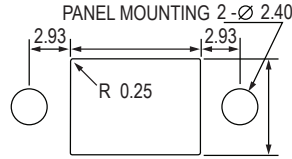
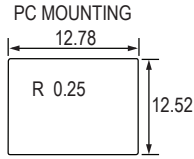
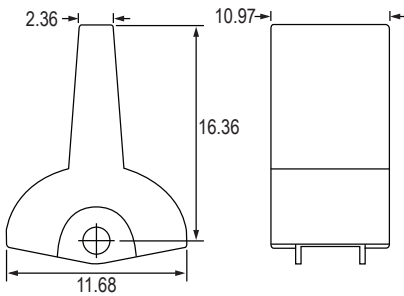


R15P

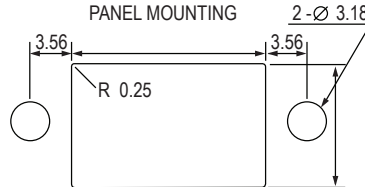
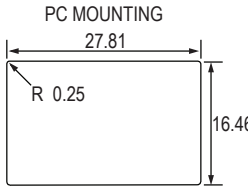
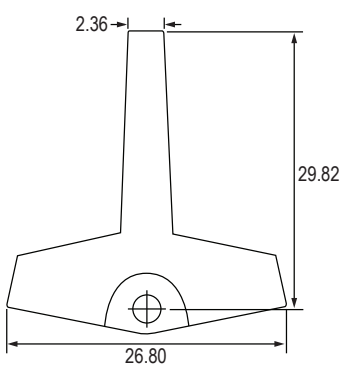


P13P / P13

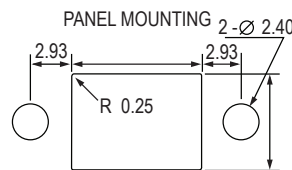
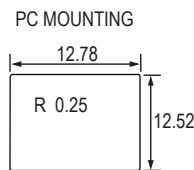
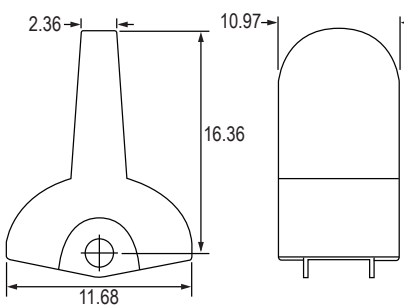
Actuator Options



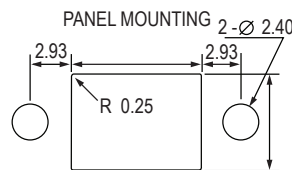
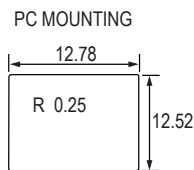
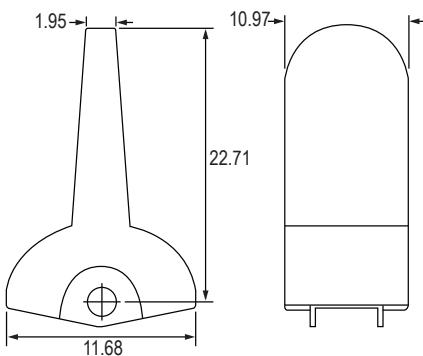
P23P / P23



P43P

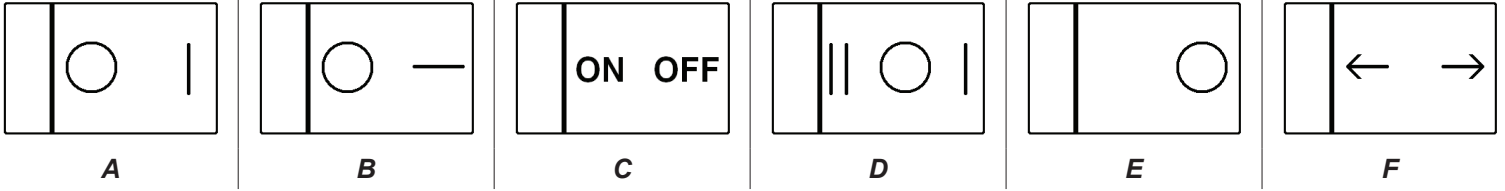


P47P

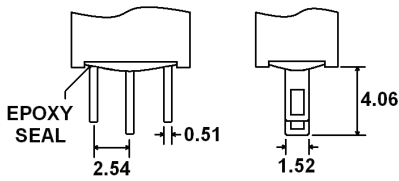


P48P

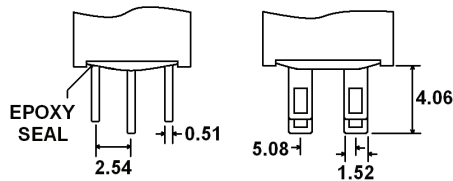
Actuator Markings



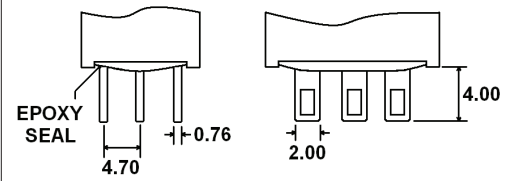
Terminal Options



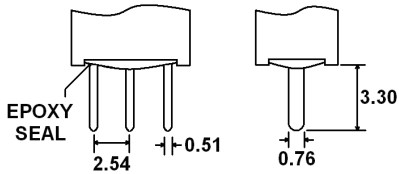
B Single Pole



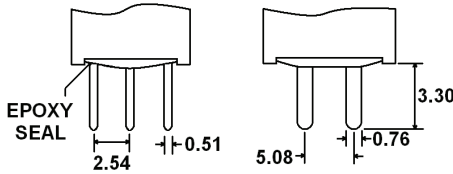
B Double Pole



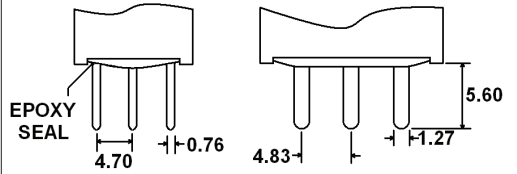
B 3 Pole



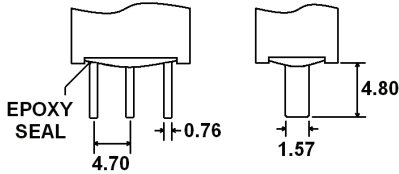
C Single Pole



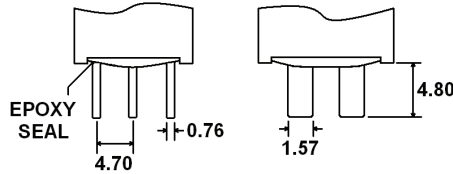
C Double Pole



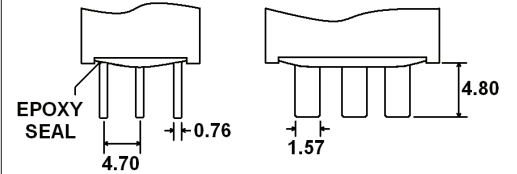
C 3 Pole



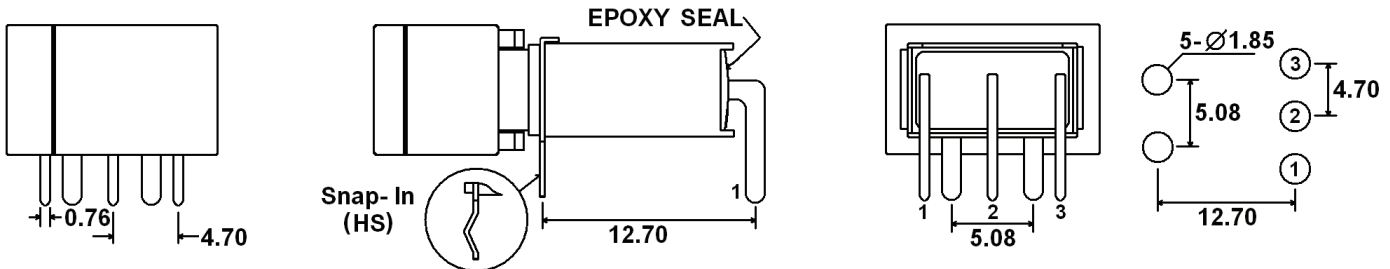
D Single Pole



D Double Pole

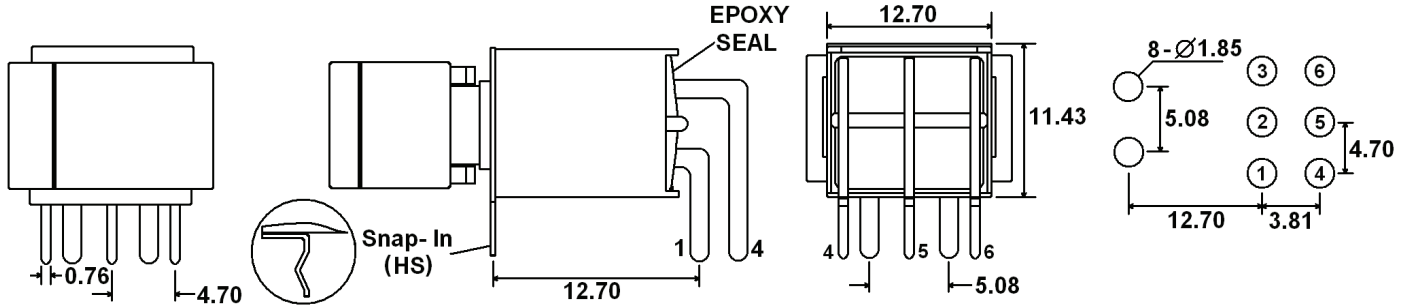


D 3 Pole

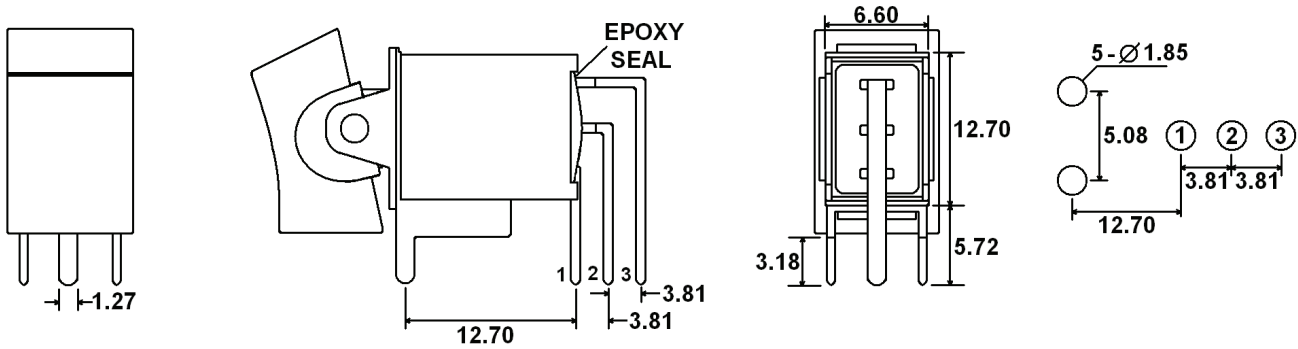


H (HS - Snap-In) = Horizontal mount, right angle PC pins, single pole

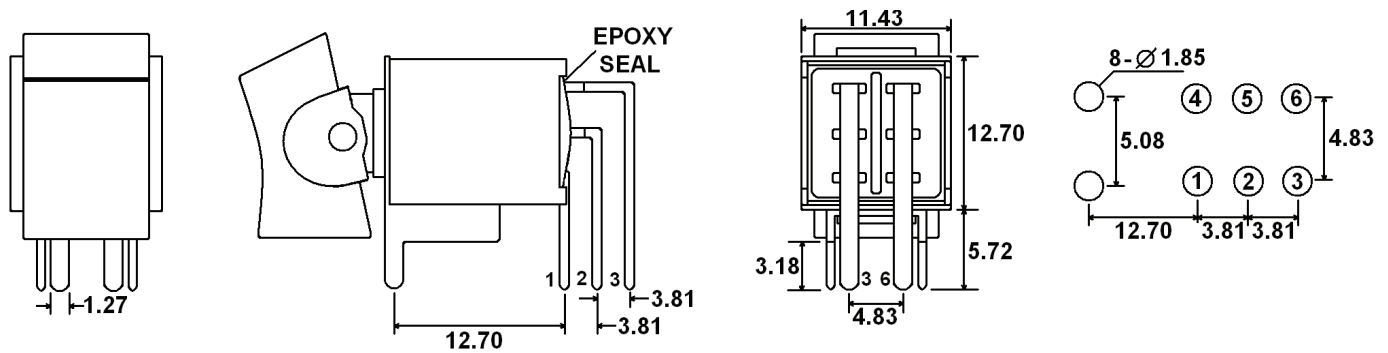
Terminal Options



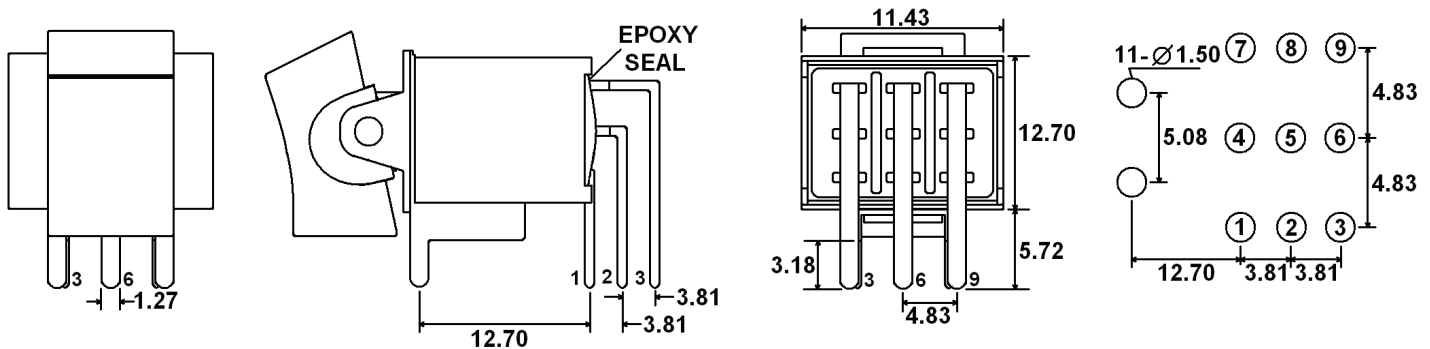
H (HS - Snap In) = Horizontal mount, right angle PC pins, double pole



V = Vertical mount, right angle PC pins, single pole

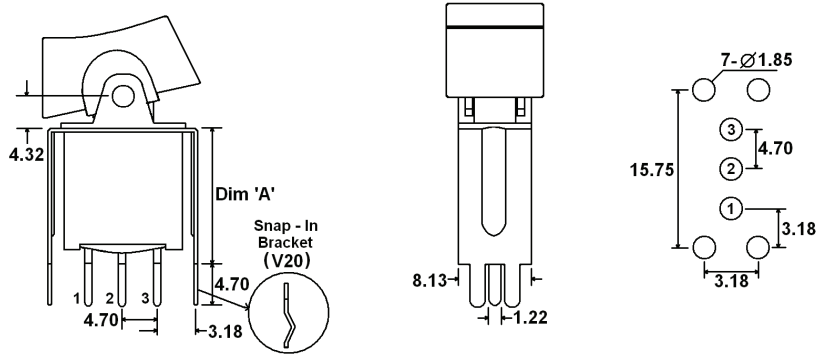


V = Vertical mount, right angle PC pins, double pole



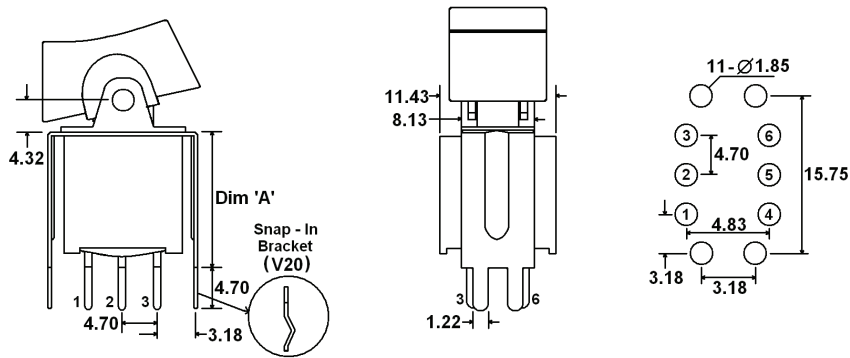
V = Vertical mount, right angle PC pins, three pole

Terminal Options



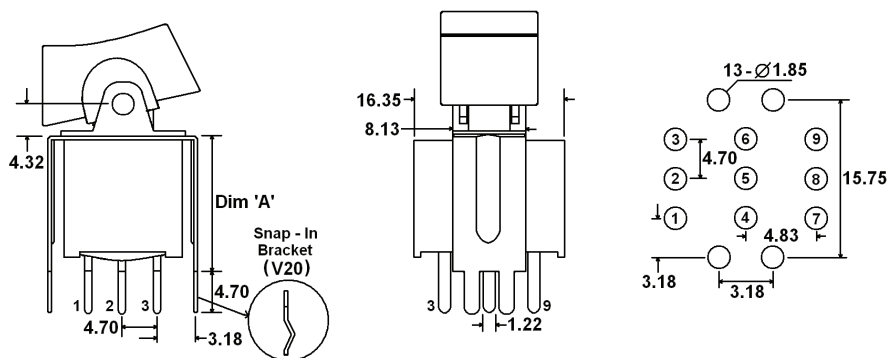
Terminal Option	"A" Dimension
S20 / V20	11.68
S25 / V25	16.00

S20 / S25 (V20/V25 - Snap in bracket) = PC pins with support bracket, single pole



Terminal Option	"A" Dimension
S20 / V20	11.68
S25 / V25	16.00

S20 / S25 (V20/V25 - Snap in bracket) = PC pins with support bracket, double pole



Terminal Option	"A" Dimension
S20 / V20	11.68
S25 / V25	16.00

S20 / S25 (V20/V25 - Snap in bracket) = PC pins with support bracket, three pole