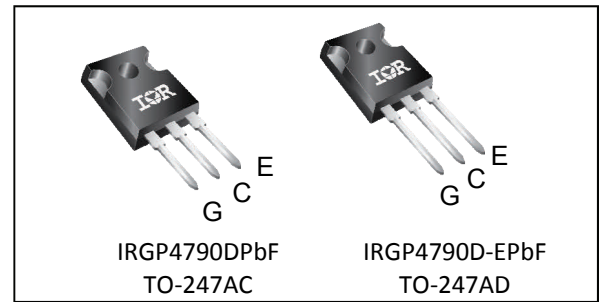
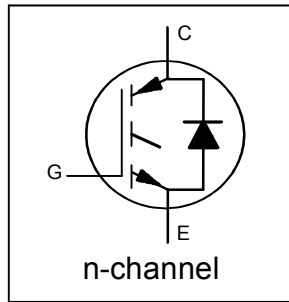


| |
|--|
| $V_{CES} = 650V$ |
| $I_C = 90A, T_C = 100^\circ C$ |
| $t_{SC} \geq 5.5\mu s, T_{J(max)} = 175^\circ C$ |
| $V_{CE(ON)} \text{ typ.} = 1.7V @ I_C = 75A$ |

Insulated Gate Bipolar Transistor with Ultrafast Soft Recovery Diode



| | | |
|------|-----------|---------|
| G | C | E |
| Gate | Collector | Emitter |

Applications

- Industrial Motor Drive
- UPS
- Solar Inverters
- Welding

| Features | Benefits |
|---|---|
| Low $V_{CE(ON)}$ and Switching Losses | High Efficiency in a Wide Range of Applications |
| 5.5 μs Short Circuit SOA | Rugged Transient Performance |
| Square RBSOA | Increased Reliability |
| Maximum Junction Temperature 175 $^\circ C$ | Excellent Current Sharing in Parallel Operation |
| Positive $V_{CE(ON)}$ Temperature Coefficient | Environmentally friendly |
| Lead-Free, RoHs compliant | |

| Base part number | Package Type | Standard Pack | | Orderable Part Number |
|------------------|--------------|---------------|----------|-----------------------|
| | | Form | Quantity | |
| IRGP4790DPbF | TO-247AC | Tube | 25 | IRGP4790DPbF |
| IRGP4790D-EPbF | TO-247AD | Tube | 25 | IRGP4790D-EPbF |

Absolute Maximum Ratings

| | Parameter | Max. | Units |
|---------------------------|--|-----------------------------------|-------|
| V_{CES} | Collector-to-Emitter Voltage | 650 | V |
| $I_C @ T_C = 25^\circ C$ | Continuous Collector Current | 140 | A |
| $I_C @ T_C = 100^\circ C$ | Continuous Collector Current | 90 | |
| I_{CM} | Pulse Collector Current, $V_{GE} = 15V$ | 225 | |
| I_{LM} | Clamped Inductive Load Current, $V_{GE} = 20V$ ① | 300 | |
| $I_F @ T_C = 25^\circ C$ | Diode Continuous Forward Current | 65 | |
| $I_F @ T_C = 100^\circ C$ | Diode Continuous Forward Current | 40 | |
| I_{FM} | Diode Maximum Forward Current ⑤ | 300 | V |
| V_{GE} | Continuous Gate-to-Emitter Voltage | ± 20 | |
| $P_D @ T_C = 25^\circ C$ | Maximum Power Dissipation | 455 | W |
| $P_D @ T_C = 100^\circ C$ | Maximum Power Dissipation | 230 | |
| T_J T_{STG} | Operating Junction and Storage Temperature Range | -40 to +175 | C |
| | Soldering Temperature, for 10 sec. | 300 (0.063 in. (1.6mm) from case) | |
| | Mounting Torque, 6-32 or M3 Screw | 10 lbf-in (1.1 N·m) | |

Thermal Resistance

| | Parameter | Min. | Typ. | Max. | Units |
|-------------------------|--|------|------|------|--------------|
| $R_{\theta JC}$ (IGBT) | Thermal Resistance Junction-to-Case-(each IGBT) ② | — | — | 0.33 | $^\circ C/W$ |
| $R_{\theta JC}$ (Diode) | Thermal Resistance Junction-to-Case-(each Diode) ② | — | — | 1.1 | |
| $R_{\theta CS}$ | Thermal Resistance, Case-to-Sink (flat, greased surface) | — | 0.24 | — | |
| $R_{\theta JA}$ | Thermal Resistance, Junction-to-Ambient (typical socket mount) | — | — | 40 | |

Electrical Characteristics @ T_J = 25°C (unless otherwise specified)

| | Parameter | Min. | Typ. | Max. | Units | Conditions |
|--|---|------|------|------|-------|---|
| V _{(BR)CES} | Collector-to-Emitter Breakdown Voltage | 650 | — | — | V | V _{GE} = 0V, I _C = 100μA ③ |
| ΔV _{(BR)CES} /ΔT _J | Temperature Coeff. of Breakdown Voltage | — | 0.65 | — | V/°C | V _{GE} = 0V, I _C = 5.0mA (25°C-175°C) |
| V _{CE(on)} | Collector-to-Emitter Saturation Voltage | — | 1.7 | 2.0 | V | I _C = 75A, V _{GE} = 15V, T _J = 25°C |
| | | — | 2.1 | — | | I _C = 75A, V _{GE} = 15V, T _J = 175°C |
| V _{GE(th)} | Gate Threshold Voltage | 5.5 | — | 7.4 | V | V _{CE} = V _{GE} , I _C = 2.1mA |
| ΔV _{GE(th)} /ΔT _J | Threshold Voltage Temperature Coeff. | — | -20 | — | mV/°C | V _{CE} = V _{GE} , I _C = 2.1mA (25°C-150°C) |
| g _{fe} | Forward Transconductance | — | 47 | — | S | V _{CE} = 50V, I _C = 75A, PW = 20μs |
| I _{CES} | Collector-to-Emitter Leakage Current | — | 1.0 | 35 | μA | V _{GE} = 0V, V _{CE} = 650V |
| | | — | 1.2 | — | mA | V _{GE} = 0V, V _{CE} = 650V, T _J = 175°C |
| I _{GES} | Gate-to-Emitter Leakage Current | — | — | ±100 | nA | V _{GE} = ±20V |
| V _F | Diode Forward Voltage Drop | — | 2.1 | 2.7 | V | I _F = 75A |
| | | — | 1.7 | — | | I _F = 75A, T _J = 175°C |

Switching Characteristics @ T_J = 25°C (unless otherwise specified)

| | Parameter | Min. | Typ. | Max ^④ | Units | Conditions |
|---------------------|--------------------------------------|-------------|------|------------------|-------|--|
| Q _g | Total Gate Charge (turn-on) | — | 140 | 210 | nC | I _C = 75A V _{GE} = 15V V _{CC} = 400V |
| Q _{ge} | Gate-to-Emitter Charge (turn-on) | — | 50 | 80 | | |
| Q _{gc} | Gate-to-Collector Charge (turn-on) | — | 60 | 90 | | |
| E _{on} | Turn-On Switching Loss | — | 2.5 | 3.4 | mJ | I _C = 75A, V _{CC} = 400V, V _{GE} = 15V R _G = 10Ω, L = 200μH, T _J = 25°C |
| E _{off} | Turn-Off Switching Loss | — | 2.2 | 3.0 | | |
| E _{total} | Total Switching Loss | — | 4.7 | 6.4 | | |
| t _{d(on)} | Turn-On delay time | — | 50 | 70 | ns | Energy losses include tail & diode reverse recovery ⑥ |
| t _r | Rise time | — | 70 | 90 | | |
| t _{d(off)} | Turn-Off delay time | — | 200 | 225 | | |
| t _f | Fall time | — | 60 | 80 | | |
| E _{on} | Turn-On Switching Loss | — | 3.9 | — | mJ | I _C = 75A, V _{CC} = 400V, V _{GE} = 15V R _G = 10Ω, L = 200μH, T _J = 175°C |
| E _{off} | Turn-Off Switching Loss | — | 2.8 | — | | |
| E _{total} | Total Switching Loss | — | 6.7 | — | | |
| t _{d(on)} | Turn-On delay time | — | 50 | — | ns | Energy losses include tail & diode reverse recovery ⑥ |
| t _r | Rise time | — | 70 | — | | |
| t _{d(off)} | Turn-Off delay time | — | 240 | — | | |
| t _f | Fall time | — | 70 | — | | |
| C _{ies} | Input Capacitance | — | 4430 | — | pF | V _{GE} = 0V V _{CC} = 30V f = 1.0MHz |
| C _{oes} | Output Capacitance | — | 310 | — | | |
| C _{res} | Reverse Transfer Capacitance | — | 130 | — | | |
| RBSOA | Reverse Bias Safe Operating Area | FULL SQUARE | | | | T _J = 175°C, I _C = 300A V _{CC} = 520V, V _p ≤ 650V V _{GE} = +20V to 0V |
| SCSOA | Short Circuit Safe Operating Area | 5.5 | — | — | μs | T _J = 150°C, V _{CC} = 400V, V _p ≤ 650V V _{GE} = +15V to 0V |
| E _{rec} | Reverse Recovery Energy of the Diode | — | 770 | — | μJ | T _J = 175°C |
| t _{rr} | Diode Reverse Recovery Time | — | 170 | — | ns | V _{CC} = 400V, I _F = 75A |
| I _{rr} | Peak Reverse Recovery Current | — | 27 | — | A | V _{GE} = 15V, R _G = 10Ω |

Notes:

- ① V_{CC} = 80% (V_{CES}), V_{GE} = 20V.
- ② R_θ is measured at T_J of approximately 90°C.
- ③ Refer to AN-1086 for guidelines for measuring V_{(BR)CES} safely.
- ④ Maximum limits are based on statistical sample size characterization.
- ⑤ Pulse width limited by max. junction temperature.
- ⑥ Values influenced by parasitic L and C in measurement.

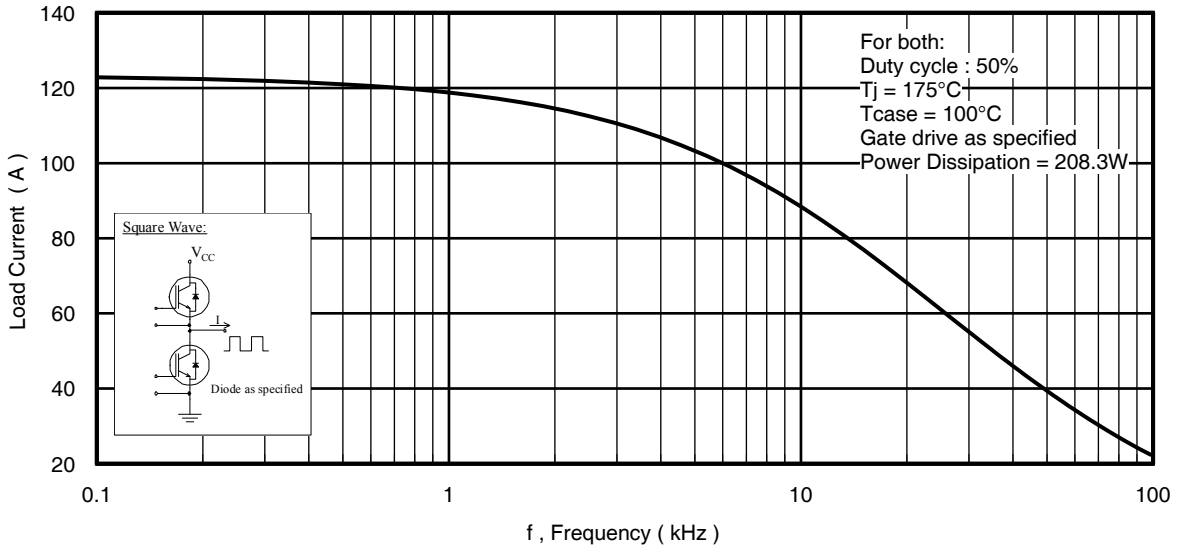


Fig. 1 - Typical Load Current vs. Frequency
(Load Current = I_{RMS} of fundamental)

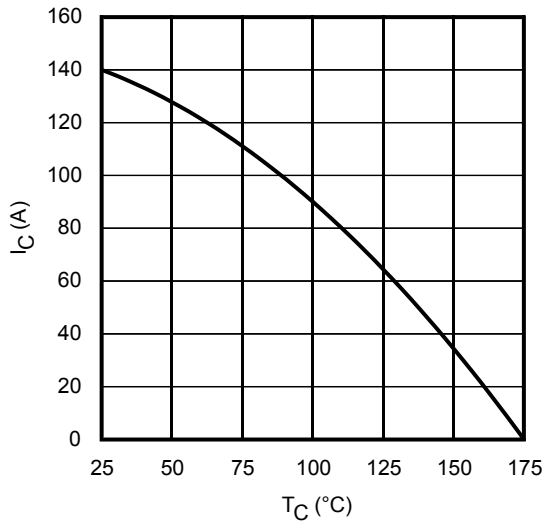


Fig. 2 - Maximum DC Collector Current vs. Case Temperature

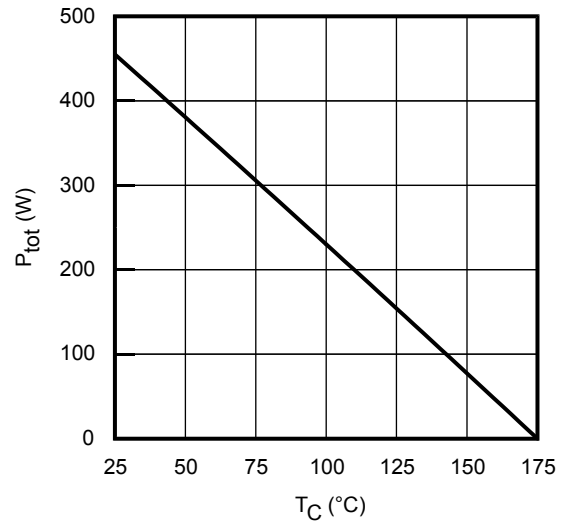


Fig. 3 - Power Dissipation vs. Case Temperature

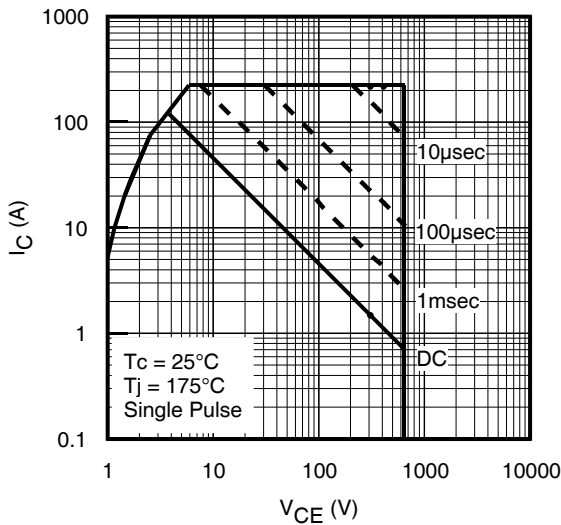


Fig. 4 - Forward SOA
 $T_C = 25^\circ\text{C}$; $T_J \leq 175^\circ\text{C}$; $V_{GE} = 15\text{V}$

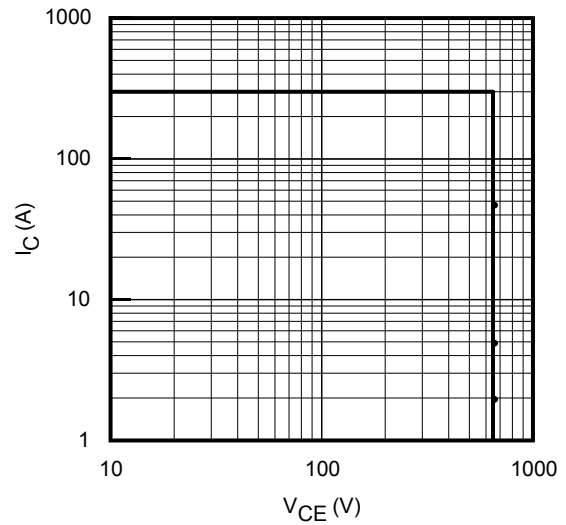


Fig. 5 - Reverse Bias SOA
 $T_J = 175^\circ\text{C}$; $V_{GE} = 20\text{V}$

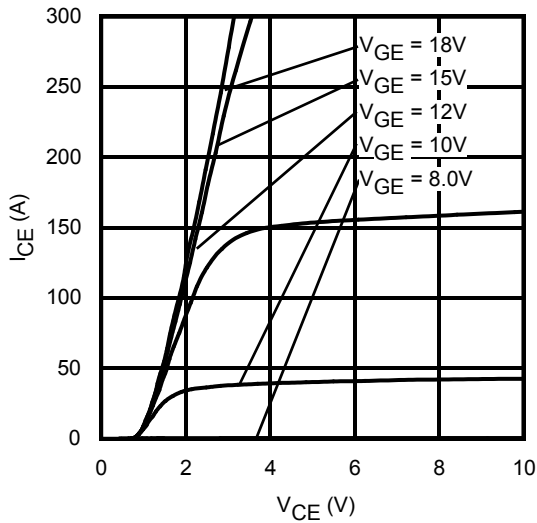


Fig. 6 - Typ. IGBT Output Characteristics
 $T_J = -40^\circ\text{C}$; $t_p = 20\mu\text{s}$

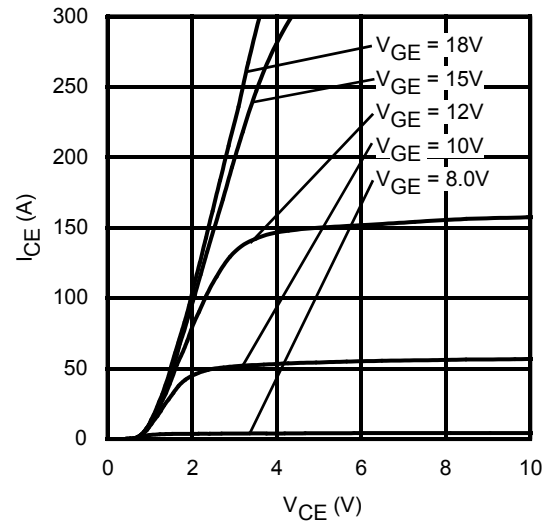


Fig. 7 - Typ. IGBT Output Characteristics
 $T_J = 25^\circ\text{C}$; $t_p = 20\mu\text{s}$

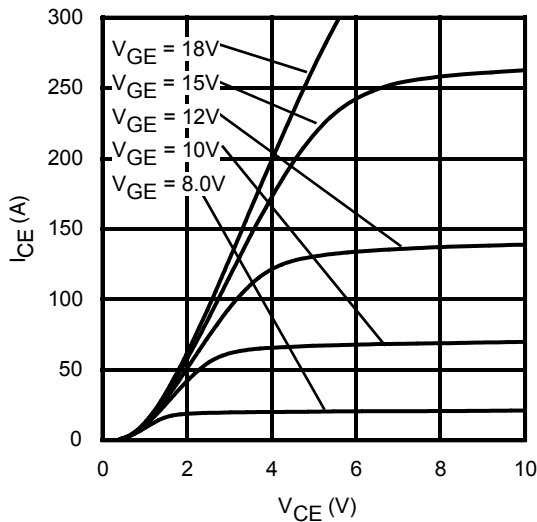


Fig. 8 - Typ. IGBT Output Characteristics
 $T_J = 175^\circ\text{C}$; $t_p = 20\mu\text{s}$

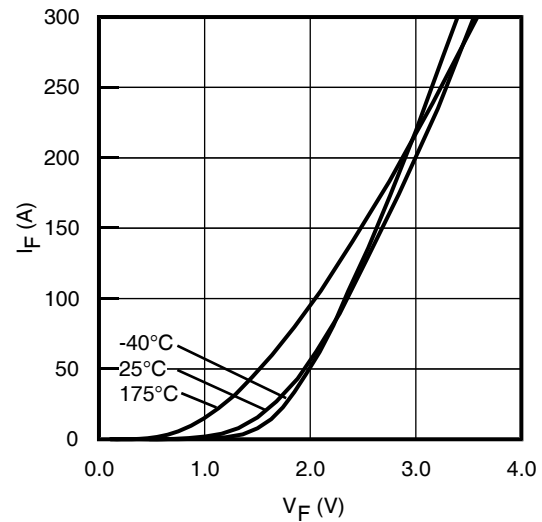


Fig. 9 - Typ. Diode Forward Voltage Drop Characteristics

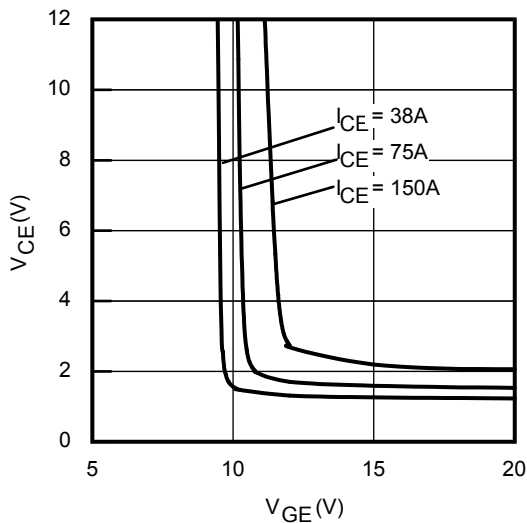


Fig. 10 - Typical V_{CE} vs. V_{GE}
 $T_J = -40^\circ\text{C}$

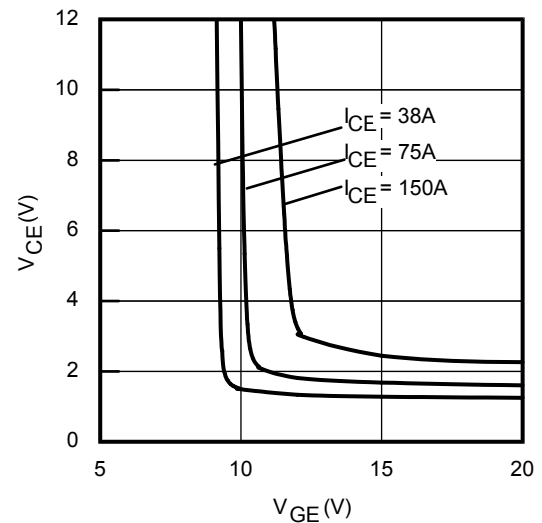


Fig. 11 - Typical V_{CE} vs. V_{GE}
 $T_J = 25^\circ\text{C}$

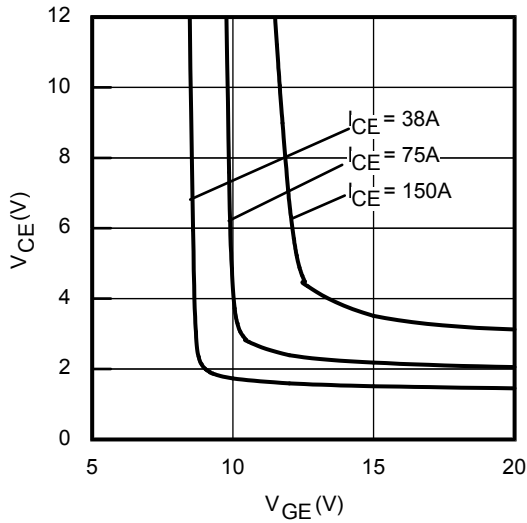


Fig. 12 - Typical V_{CE} vs. V_{GE}
 $T_J = 175^\circ\text{C}$

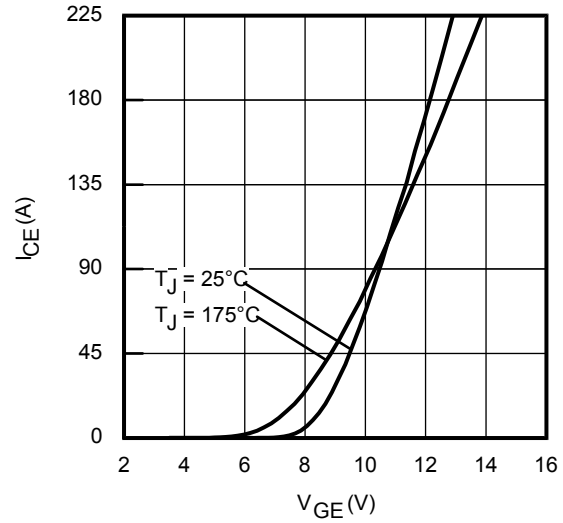


Fig. 13 - Typ. Transfer Characteristics
 $V_{CE} = 50\text{V}$; $t_p = 20\mu\text{s}$

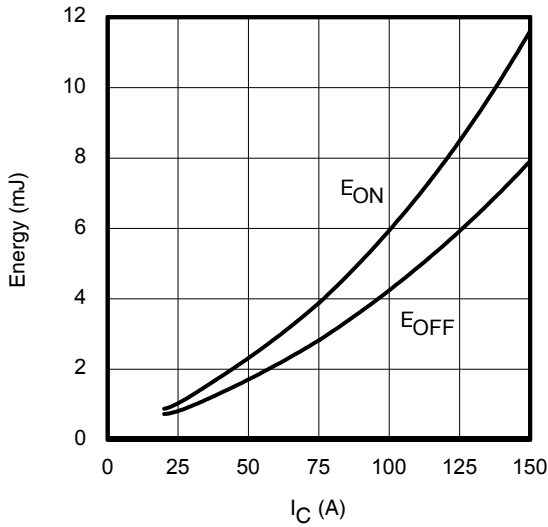


Fig. 14 - Typ. Energy Loss vs. I_C

$T_J = 175^\circ\text{C}$; $L = 200\mu\text{H}$; $V_{CE} = 400\text{V}$; $R_G = 10\Omega$; $V_{GE} = 15\text{V}$

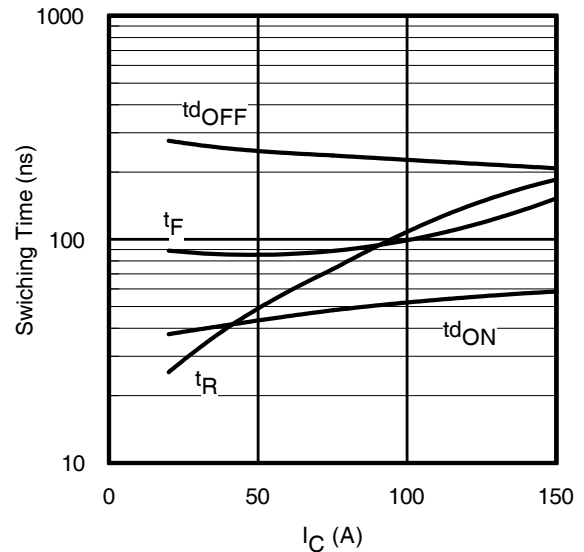


Fig. 15 - Typ. Switching Time vs. I_C

$T_J = 175^\circ\text{C}$; $L = 200\mu\text{H}$; $V_{CE} = 400\text{V}$; $R_G = 10\Omega$; $V_{GE} = 15\text{V}$

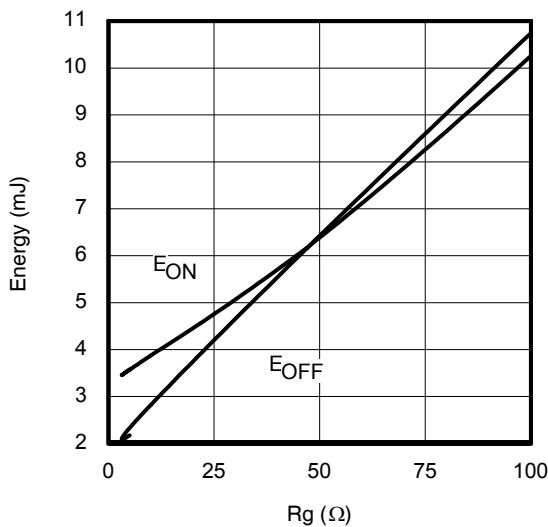


Fig. 16 - Typ. Energy Loss vs. R_G

$T_J = 175^\circ\text{C}$; $L = 200\mu\text{H}$; $V_{CE} = 400\text{V}$; $I_{CE} = 75\text{A}$; $V_{GE} = 15\text{V}$

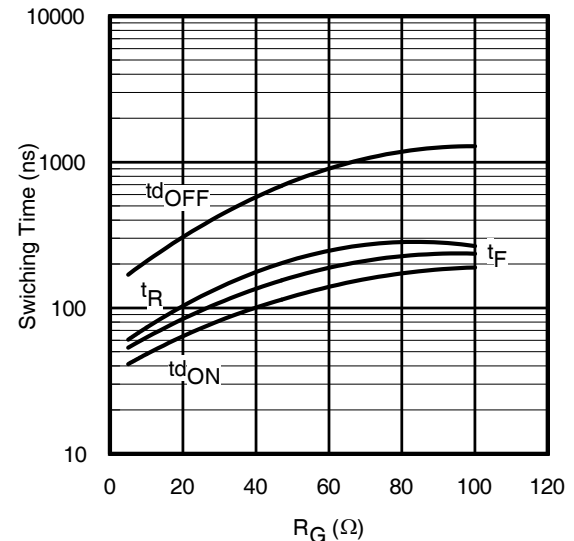


Fig. 17 - Typ. Switching Time vs. R_G

$T_J = 175^\circ\text{C}$; $L = 200\mu\text{H}$; $V_{CE} = 400\text{V}$; $I_{CE} = 75\text{A}$; $V_{GE} = 15\text{V}$

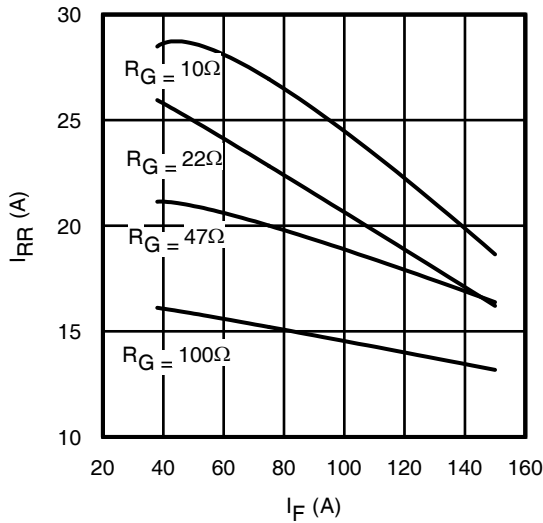


Fig. 18 - Typ. Diode I_{RR} vs. I_F
 $T_J = 175^\circ\text{C}$

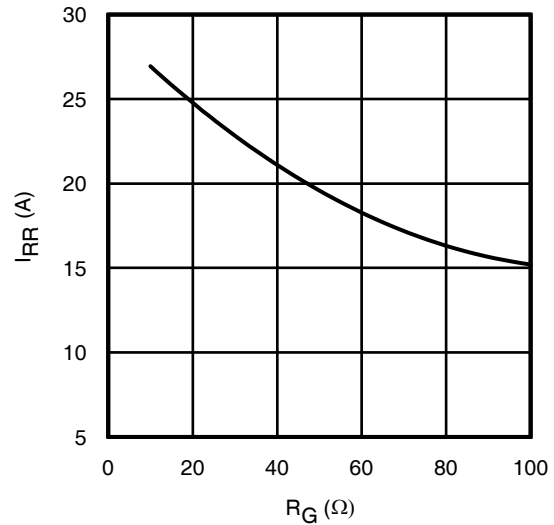


Fig. 19 - Typ. Diode I_{RR} vs. R_G
 $T_J = 175^\circ\text{C}$

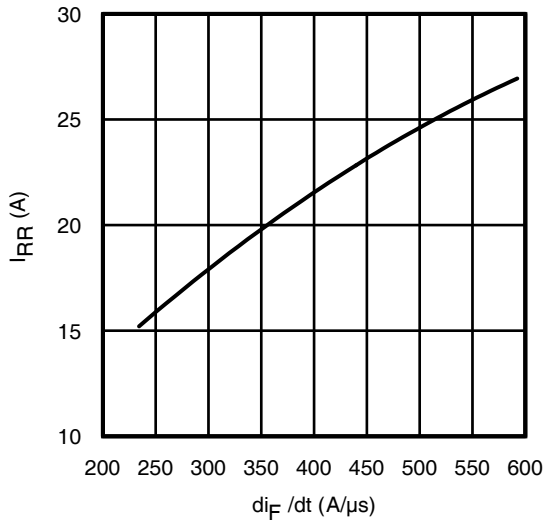


Fig. 20 - Typ. Diode I_{RR} vs. di_F/dt
 $V_{CC} = 400\text{V}$; $V_{GE} = 15\text{V}$; $I_F = 75\text{A}$; $T_J = 175^\circ\text{C}$

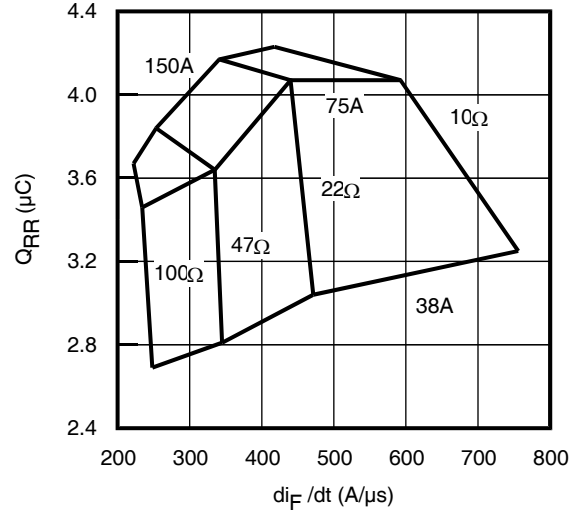


Fig. 21 - Typ. Diode Q_{RR} vs. di_F/dt
 $V_{CC} = 400\text{V}$; $V_{GE} = 15\text{V}$; $T_J = 175^\circ\text{C}$

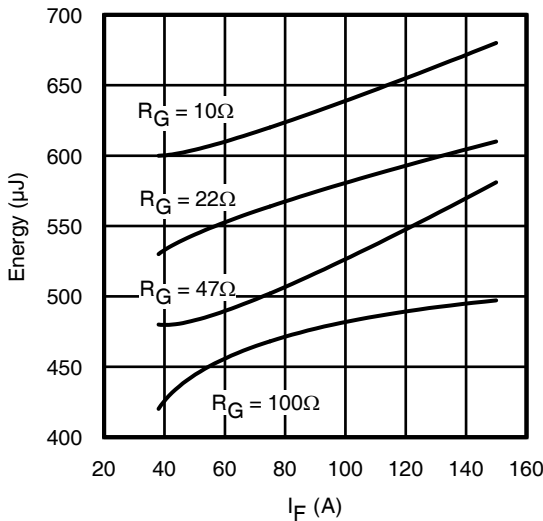


Fig. 22 - Typ. Diode E_{RR} vs. I_F
 $T_J = 175^\circ\text{C}$

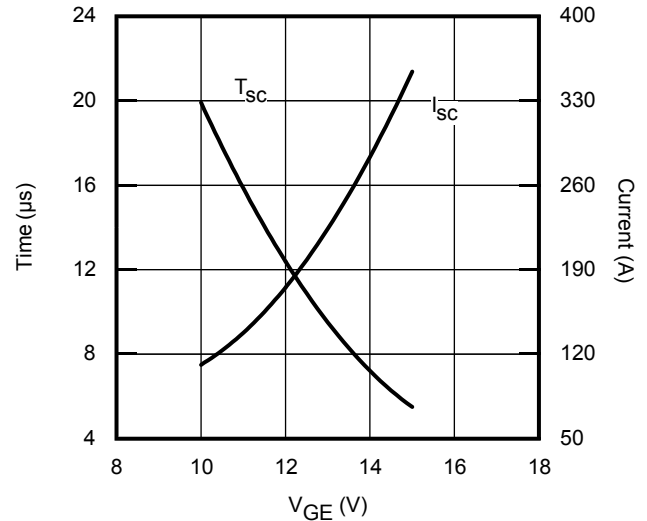


Fig. 23 - V_{GE} vs. Short Circuit Time
 $V_{CC} = 400\text{V}$; $T_C = 150^\circ\text{C}$

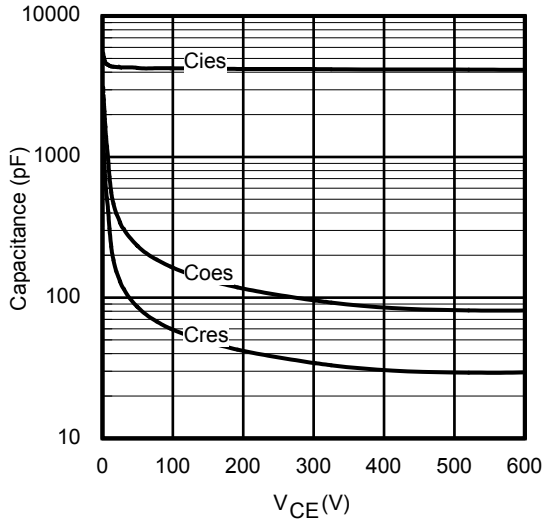


Fig. 24 - Typ. Capacitance vs. V_{CE}
 $V_{GE} = 0V$; $f = 1MHz$

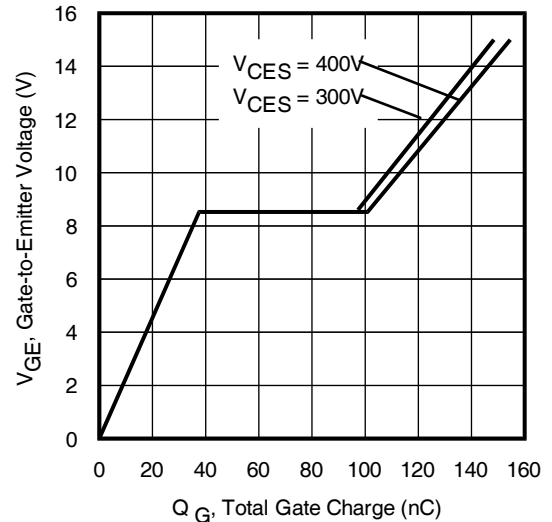


Fig. 25 - Typical Gate Charge vs. V_{GE}
 $I_{CE} = 75A$

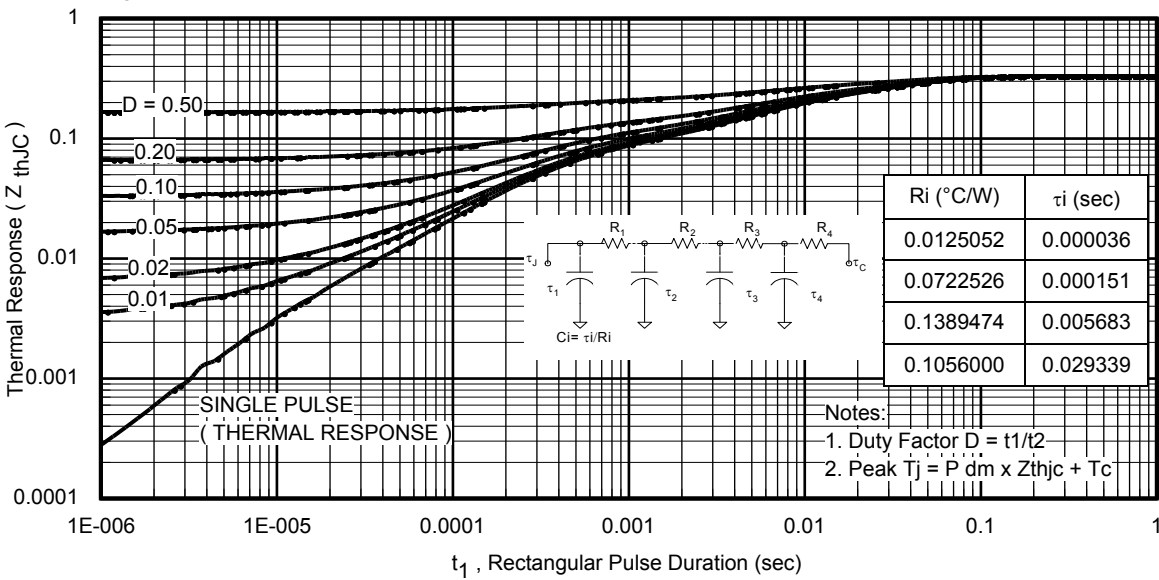


Fig. 26 - Maximum Transient Thermal Impedance, Junction-to-Case (IGBT)

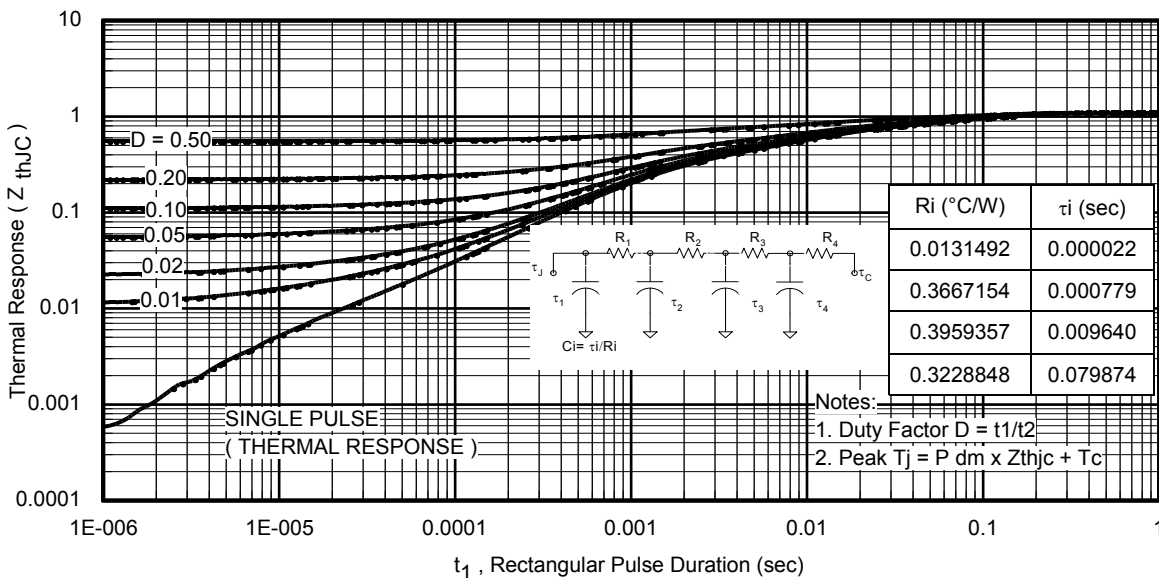


Fig. 27 - Maximum Transient Thermal Impedance, Junction-to-Case (DIODE)

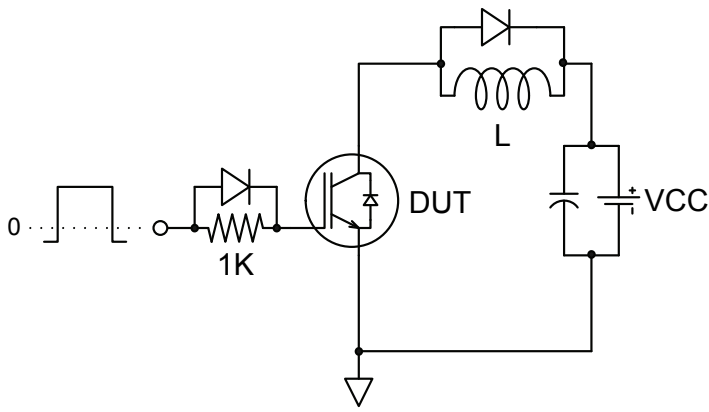

Fig.C.T.1 - Gate Charge Circuit (turn-off)

Fig.C.T.2 - RBSOA Circuit

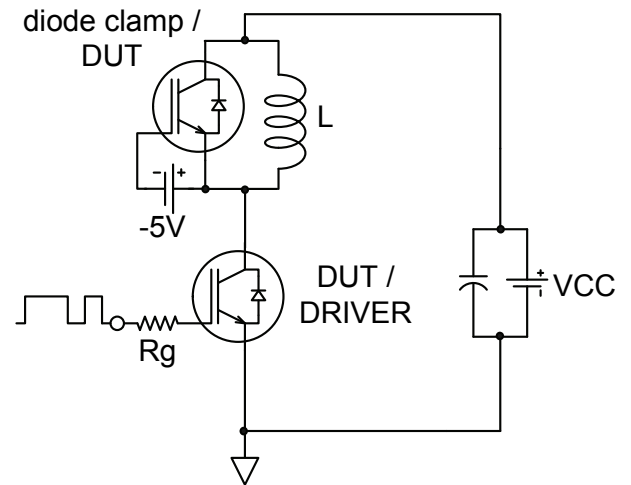
Fig.C.T.3 - S.C. SOA Circuit

Fig.C.T.4 - Switching Loss Circuit

Fig.C.T.5 - Resistive Load Circuit

Fig.C.T.6 - BVCES Filter Circuit

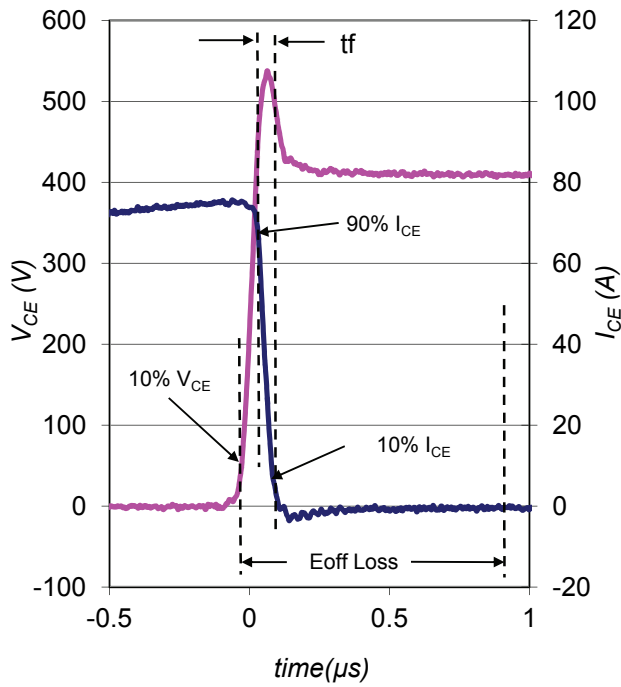


Fig. WF1 - Typ. Turn-off Loss Waveform
@ $T_J = 175^\circ\text{C}$ using Fig. CT.4

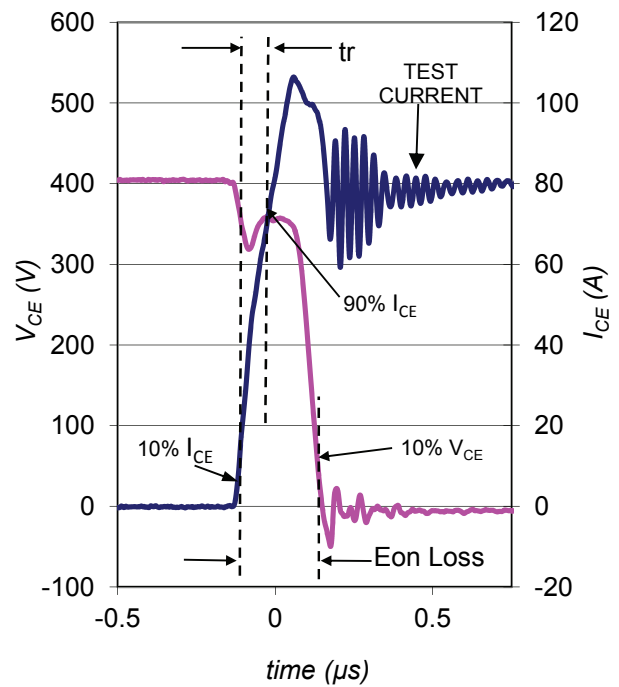


Fig. WF2 - Typ. Turn-on Loss Waveform
@ $T_J = 175^\circ\text{C}$ using Fig. CT.4

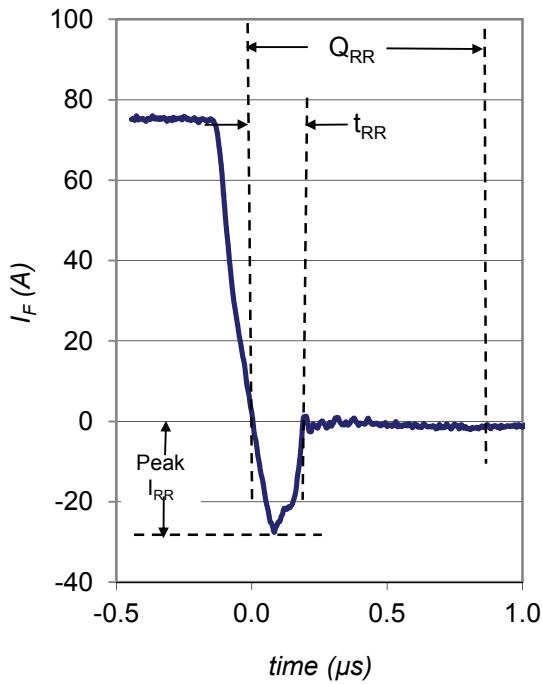


Fig. WF3 - Typ. Diode Recovery Waveform
@ $T_J = 175^\circ\text{C}$ using Fig. CT.4

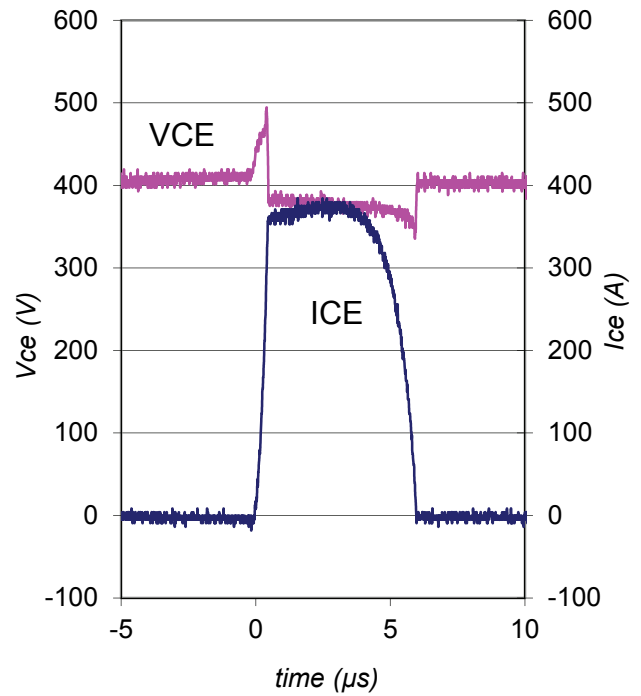
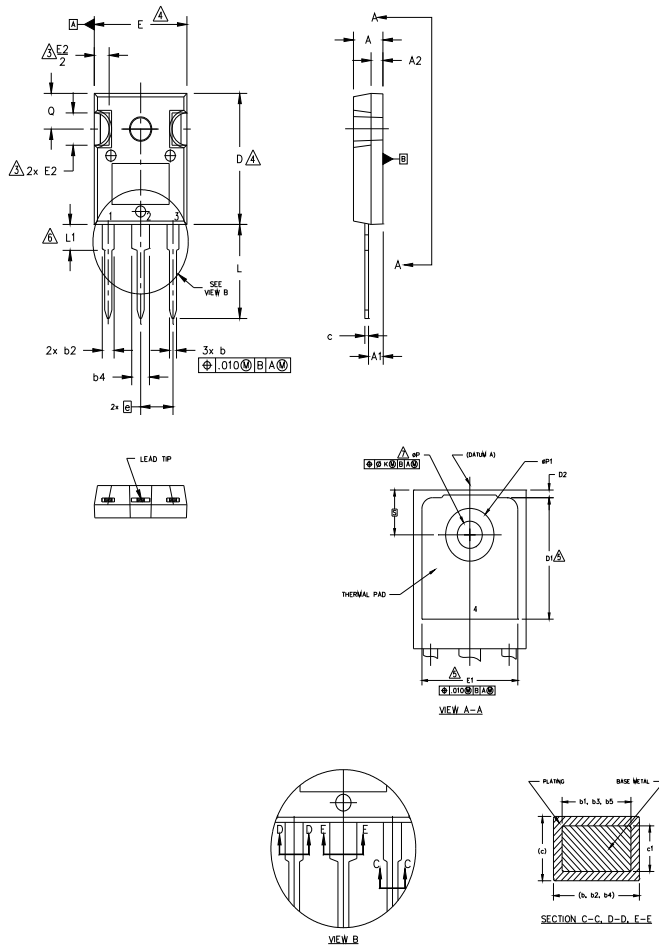


Fig. WF4 - Typ. S.C. Waveform
@ $T_J = 150^\circ\text{C}$ using Fig. CT.3

TO-247AC Package Outline

Dimensions are shown in millimeters (inches)



NOTES:

1. DIMENSIONING AND TOLERANCING AS PER ASME Y14.5M 1994.
2. DIMENSIONS ARE SHOWN IN INCHES.
3. CONTOUR OF SLOT OPTIONAL.
4. DIMENSION D & E DO NOT INCLUDE MOLD FLASH. MOLD FLASH SHALL NOT EXCEED .005" (0.127) PER SIDE. THESE DIMENSIONS ARE MEASURED AT THE OUTERMOST EXTREMES OF THE PLASTIC BODY.
5. THERMAL PAD CONTOUR OPTIONAL WITHIN DIMENSIONS D1 & E1.
6. LEAD FINISH UNCONTROLLED IN L1.
7. ϕP TO HAVE A MAXIMUM DRAFT ANGLE OF 1.5° TO THE TOP OF THE PART WITH A MAXIMUM HOLE DIAMETER OF .154 INCH.
8. OUTLINE CONFORMS TO JEDEC OUTLINE TO-247AC .

| SYMBOL | DIMENSIONS | | | | NOTES |
|-----------|------------|------|-------------|-------|-------|
| | INCHES | | MILLIMETERS | | |
| | MIN. | MAX. | MIN. | MAX. | |
| A | .183 | .209 | 4.65 | 5.31 | |
| A1 | .087 | .102 | 2.21 | 2.59 | |
| A2 | .059 | .098 | 1.50 | 2.49 | |
| b | .039 | .055 | 0.99 | 1.40 | |
| b1 | .039 | .053 | 0.99 | 1.35 | |
| b2 | .065 | .094 | 1.65 | 2.39 | |
| b3 | .065 | .092 | 1.65 | 2.34 | |
| b4 | .102 | .135 | 2.59 | 3.43 | |
| b5 | .102 | .133 | 2.59 | 3.38 | |
| c | .015 | .035 | 0.38 | 0.89 | |
| c1 | .015 | .033 | 0.38 | 0.84 | |
| D | .776 | .815 | 19.71 | 20.70 | 4 |
| D1 | .515 | - | 13.08 | - | 5 |
| D2 | .020 | .053 | 0.51 | 1.35 | |
| E | .602 | .625 | 15.29 | 15.87 | 4 |
| E1 | .530 | - | 13.46 | - | |
| E2 | .178 | .216 | 4.52 | 5.49 | |
| e | .215 BSC | | 5.46 BSC | | |
| ϕk | .010 | | 0.25 | | |
| L | .559 | .634 | 14.20 | 16.10 | |
| L1 | .146 | .169 | 3.71 | 4.29 | |
| ϕP | .140 | .144 | 3.56 | 3.66 | |
| $\phi P1$ | - | .291 | - | 7.39 | |
| Q | .209 | .224 | 5.31 | 5.69 | |
| S | .217 BSC | | 5.51 BSC | | |

LEAD ASSIGNMENTS

HEXFET

- 1.- GATE
- 2.- DRAIN
- 3.- SOURCE
- 4.- DRAIN

IGBTs, CoPACK

- 1.- GATE
- 2.- COLLECTOR
- 3.- EMITTER
- 4.- COLLECTOR

DIODES

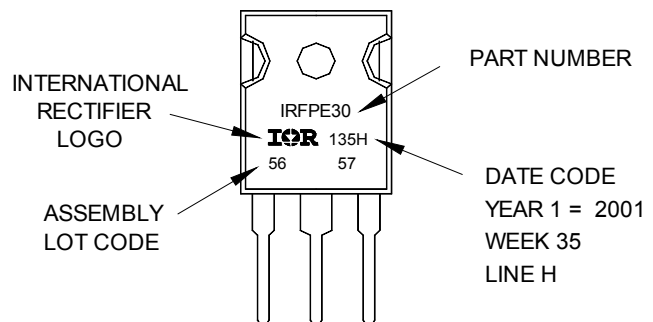
- 1.- ANODE/OPEN
- 2.- CATHODE
- 3.- ANODE

TO-247AC Part Marking Information

Notes: This part marking information applies to devices produced after 02/26/2001

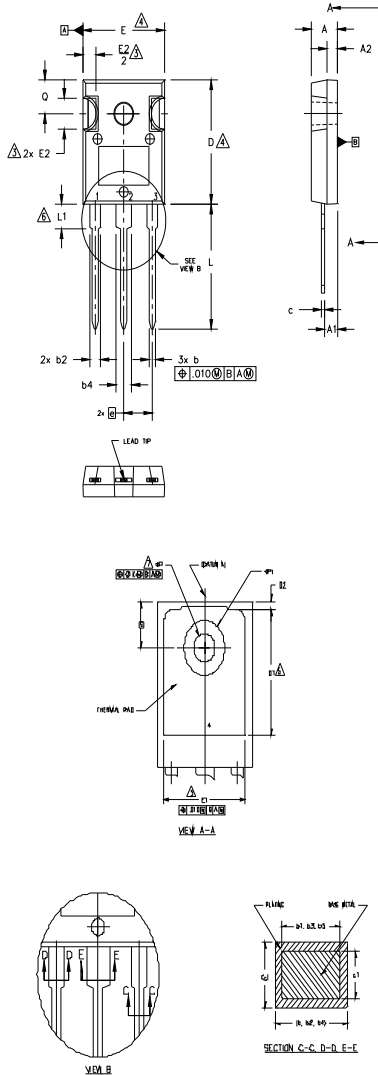
EXAMPLE: THIS IS AN IRFPE30
WITH ASSEMBLY
LOT CODE 5657
ASSEMBLED ON WW 35, 2001
IN THE ASSEMBLY LINE "H"

Note: "P" in assembly line position indicates "Lead-Free"



TO-247AC package is not recommended for Surface Mount Application.

Note: For the most current drawing please refer to IR website at <http://www.irf.com/package/>

TO-247AD Package Outline (Dimensions are shown in millimeters (inches))

NOTES:

1. DIMENSIONING AND TOLERANCING AS PER ASME Y14.5M 1994.
2. DIMENSIONS ARE SHOWN IN INCHES.
3. CONTOUR OF SLOT OPTIONAL.
4. DIMENSION D & E DO NOT INCLUDE MOLD FLASH. MOLD FLASH SHALL NOT EXCEED .005" (0.127) PER SIDE. THESE DIMENSIONS ARE MEASURED AT THE FURTHEST EXTREMES OF THE PLASTIC BODY.
5. THERMAL PAD CONTOUR OPTIONAL WITHIN DIMENSIONS D1 & E1.
6. LEAD FINISH UNCONTROLLED IN L1.
7. ØP TO HAVE A MAXIMUM DRAFT ANGLE OF 1.5° TO THE TOP OF THE PART WITH A MAXIMUM HOLE DIAMETER OF .154 INCH.
8. OUTLINE CONFORMS TO JEDEC OUTLINE TO-247AD.

| SYMBOL | DIMENSIONS | | | | NOTES |
|--------|------------|------|-------------|-------|-------|
| | INCHES | | MILLIMETERS | | |
| | MIN. | MAX. | MIN. | MAX. | |
| A | .183 | .209 | 4.65 | 5.31 | |
| A1 | .087 | .102 | 2.21 | 2.59 | |
| A2 | .059 | .098 | 1.50 | 2.49 | |
| b | .039 | .056 | 0.99 | 1.40 | |
| b1 | .039 | .053 | 0.99 | 1.36 | |
| b2 | .065 | .094 | 1.65 | 2.39 | |
| b3 | .065 | .092 | 1.65 | 2.34 | |
| b4 | .102 | .135 | 2.59 | 3.43 | |
| b5 | .102 | .133 | 2.59 | 3.38 | |
| c | .016 | .036 | 0.38 | 0.89 | |
| c1 | .015 | .033 | 0.38 | 0.84 | |
| D | .776 | .815 | 19.71 | 20.70 | 4 |
| D1 | .515 | - | 13.08 | - | 5 |
| D2 | .020 | .053 | 0.51 | 1.36 | |
| E | .602 | .625 | 15.29 | 15.87 | 4 |
| E1 | .530 | - | 13.46 | - | |
| E2 | .178 | .216 | 4.52 | 5.49 | |
| e | .215 BSC | | 5.46 BSC | | |
| Øk | .010 | | 0.25 | | |
| L | .780 | .827 | 19.57 | 21.00 | |
| L1 | .146 | .169 | 3.71 | 4.29 | |
| ØP | .140 | .144 | 3.56 | 3.66 | |
| ØP1 | - | .291 | - | 7.39 | |
| Q | .209 | .224 | 5.31 | 5.69 | |
| S | .217 BSC | | 5.51 BSC | | |

LEAD ASSIGNMENTS
HEXFET

- 1.- GATE
- 2.- DRAIN
- 3.- SOURCE
- 4.- DRAIN

IGBTs, CoPACK

- 1.- GATE
- 2.- COLLECTOR
- 3.- EMITTER
- 4.- COLLECTOR

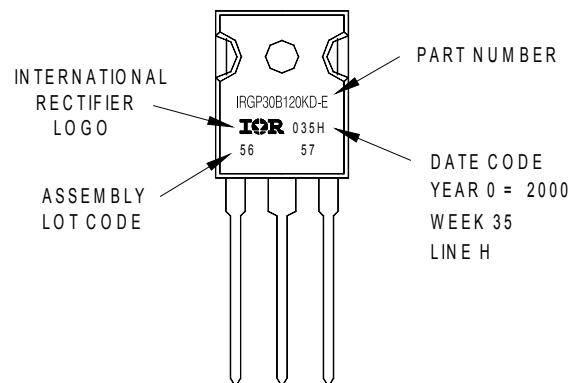
DIPDES

- 1.- ANODE/OPEN
- 2.- CATHODE
- 3.- ANODE

TO-247AD Part Marking Information

EXAMPLE: THIS IS AN IRGP30B120KD-E
WITH ASSEMBLY
LOT CODE 5657
ASSEMBLED ON WW 35, 2000
IN THE ASSEMBLY LINE "H"

Note: "P" in assembly line position
indicates "Lead-Free"



TO-247AD package is not recommended for Surface Mount Application.

Note: For the most current drawing please refer to IR website at <http://www.irf.com/package/>

Qualification Information[†]

| | | |
|-----------------------------------|---|-----|
| Qualification Level | Industrial (per JEDEC JESD47F) ^{††} | |
| Moisture Sensitivity Level | TO-247AC | N/A |
| | TO-247AD | N/A |
| RoHS Compliant | Yes | |

† Qualification standards can be found at International Rectifier's web site: <http://www.irf.com/product-info/reliability/>

†† Applicable version of JEDEC standard at the time of product release.

Revision History

| Date | Comments |
|-------------|---|
| 8/21/2014 | <ul style="list-style-type: none"> • Updated Temperature Coeff. of Breakdown Voltage from "0.11V/C" to "0.65 V/C" on page 2 . • Updated I_C vs. T_C graph Fig.2 to match page1 spec data on page 3. |
| 11/12/2014 | <ul style="list-style-type: none"> • Added I_{FM} Diode Maximum Forward Current = 300A with the note ⑤ on page 1. • Removed note ⑤ from switching losses test condition on page 2. • Removed note ⑤ from switching losses test condition on page 2. |