



REED SWITCH DEVELOPMENTS CORP.

2524 Norwood Court

Racine, WI 53403

Ph: (262)883-9060

sales@reedswitchdevelopments.com

SPECIFICATION SHEET

2010-1166-100

Alternate Part Number:

AM2010-1166-10-01

Active / Equivalent Part Numbers:

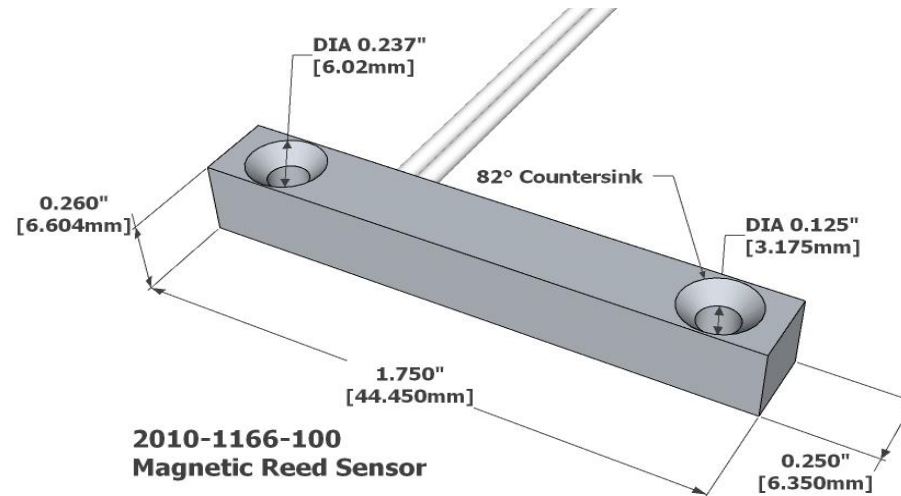
2010-1166-100 - Magnetic Reed Sensor Only

AM2010-1166-10-01 - Magnetic Reed Sensor Only

Sensor (Reed) - Specifications		1166
Physical	Configuration	SPST
	Form	A
	Contact Position	CENTER
	Glass L	10.5 mm
	Glass D	2.2 mm
	Total L*	34.5 mm
	Wire D	N/A mm
	Gap Location	CENTER
	Mount Spec*	N/A
	Contact Material	N/A
	Max Vibration Resistance	20 G
	Max Shock Resistance (11ms)	50 G
	Lead Tensile Strength	N/A KG
	Operating	Pull in (+/- 2AT)*
Drop out*		N/A AT
Operate Time		0.5 ms
Bounce Time		INCL ms
Release Time		0.1 μs
Resonant Frequency		N/A Hz
Max Operating Frequency		N/A Hz
Operating Temperature Range		-40 - 130 °C
Storage Temperature		-55 - 130 °C
Electrical		DC Contact Rating
	AC Contact Rating	N/A VA
	DC Switching Voltage	200 VDC
	AC Switching Voltage	140 VAC
	DC Switching Current	1.00 A
	AC Switching Current	1.00 A
	DC Max Carry Current	1.25 A
	AC Max Carry Current	1.25 A
	Min Breakdown Voltage	220 VDC
	Max Initial Contact Resistance	150 mOhm
	Typical Initial Contact Resistance	N/A mOhm
	Max Contact Capacitance	0.30 pF
	Min Insulation Resistance	10 ¹² Ohm

* Pre-processed, bare reed element

DISCLAIMER NOTICE: INFORMATION FURNISHED IS PROPRIETARY, AND IS BELIEVED TO BE ACCURATE AND RELIABLE, AND IS SUBJECT TO CHANGE WITHOUT NOTICE. IT SHALL BE THE RESPONSIBILITY OF THE BUYER TO ENSURE THAT THE GOODS ARE SUFFICIENT AND SUITABLE FOR THE PURPOSE OR PURPOSES INTENDED (WHETHER BY THE BUYER OR BY ANY THIRD PARTY) AND THAT THEIR CAPACITY AND PERFORMANCE IS NOT ADVERSELY AFFECTED BY ANY ITEMS USED IN THEIR INSTALLATION (WHERE RELEVANT) AND/OR IN CONNECTION WITH THEM.



**2010-1166-100
Magnetic Reed Sensor**

All measurements are in Inches [millimeters]

Sensor - Wire/Cable Characteristics (cont.)

Type	Wire
Conductor Count	2
Length	6.0"/152.4mm
Colors	BLK
Insulation Material	PVC
Gauge	24 AWG
Stranded Copper	7 STR-TC
Maximum Temp	105°C

Housing Characteristics 2010

Rectangular w/ Mounting Holes	
Length	1.750"/44.45mm
Width	0.250"/6.35mm
Height	0.260"/6.60mm
Material	Celanex 3316

Standard Sensor/Actuator - Min. Actuation Distance

2010-4002-000	0.41"/11.1mm
---------------	--------------

Assembly Certifications

UL Recognized (File #: E102207)	Y
RoHS / Reach Compliant	Y
Conflict Free Material	Y

REV DATE: 10/06/2021

WBE Certified - State of Wisconsin - MFR CAGE CODE: 32604

www.reedswitchdevelopments.com