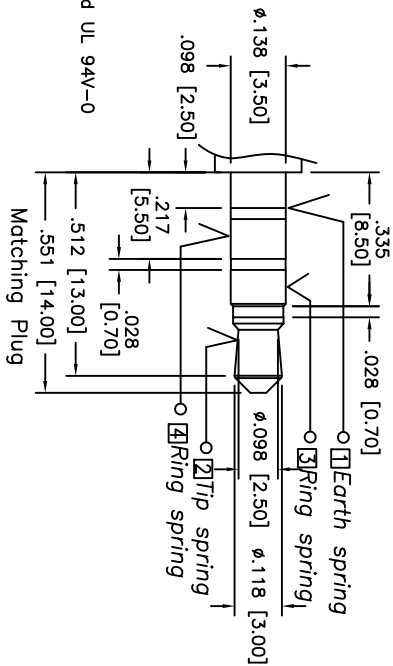
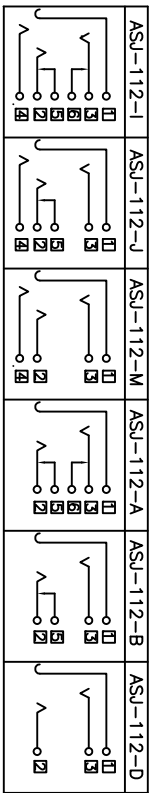
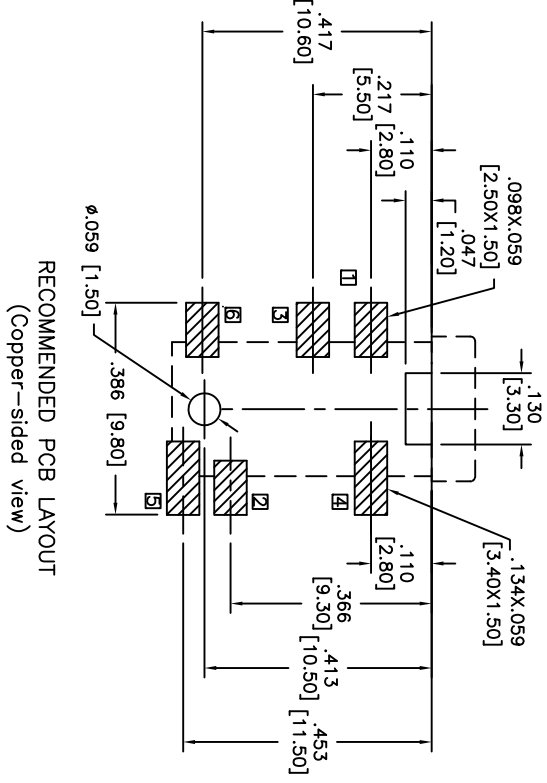
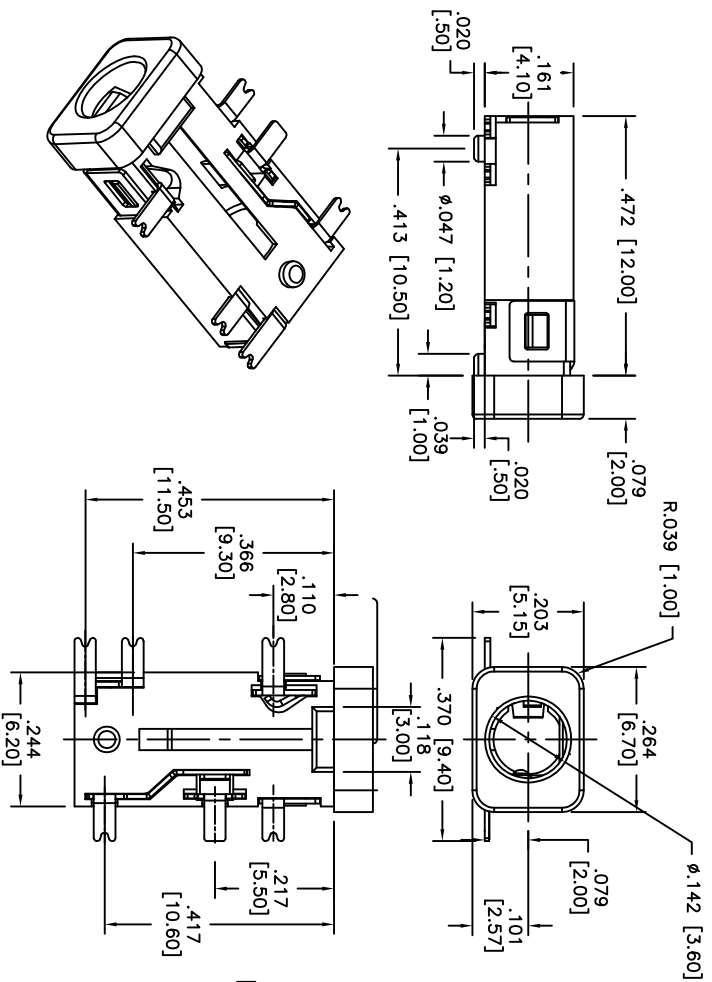


Rev	AWO #	Description	Date	Appr
-		RELEASED	8/13/10	

APPROVED: _____ TITLE: _____
 DATE: _____



SPECIFICATIONS:
 Material: Hi-temp thermoplastic, rated UL 94V-0
 Insulator color: Black
 Contacts: Copper Alloy
 Plating: Gold flash over Nickel underplate
 Electrical:
 Operating voltage: 30 VDC max.
 Current rating: 1 Amp max.
 Contact resistance: 30 mohms max.
 Insulation resistance: 100 Mohms min.
 Dielectric withstanding voltage: 500 VAC for 1 minute
 Temperature Rating:
 Operating temperature: -25°C to +85°C
 Environmental:
 Lead free, RoHS compliant.



ADAM TECH
 909 Rahway Avenue, Union, NJ 07083
 Phone: 908-687-5000 Fax: 908-687-5710

TITLE: STEREO PHONE JACK, 3.5mm

UNLESS OTHERWISE SPECIFIED ALL DIMENSIONS ARE IN INCHES [MM]		TOLERANCES: EXCEPT AS NOTED INCHES		HOLES	
.X	± .10	ØX	± .10		
.XX	± .020	ØXXX	± .015		
.XXX	± .015	ØXXXX	± .010		
APPROVALS		DATE			
DRAWN	AY	8/13/10			
CHECKED	DY	8/13/10			
APPROVED					
SIZE		PART NO.		REV.	
X		ASU-112-X		-	
REF: S0002C		SCALE: NTS		SHEET 1 OF 1	