

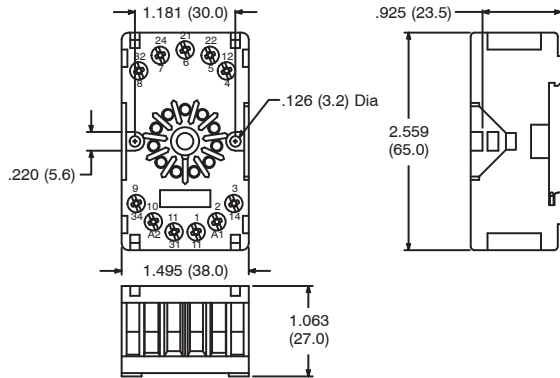
R95-182

Features

- DIN Rail Mount
- Finger Safe
- 3PDT Applications

Electrical Rating:

300 Volts (UL Rating for US), 10 Amps



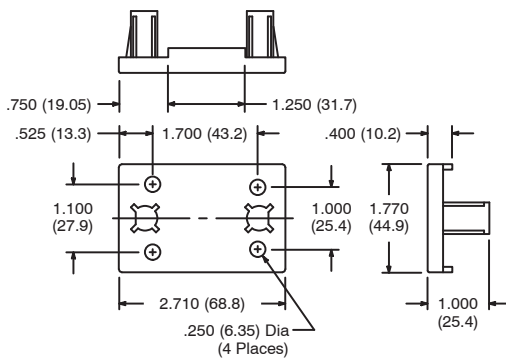
11-Pin Octal Socket



R95-184

Features

- Clear Polycarbonate
- For RS3 Type Relays



Dust Cover, Plastic

