

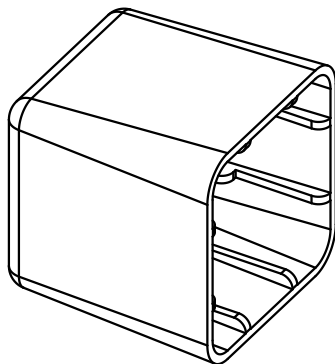
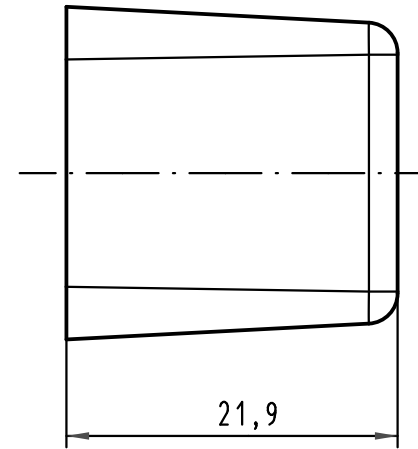
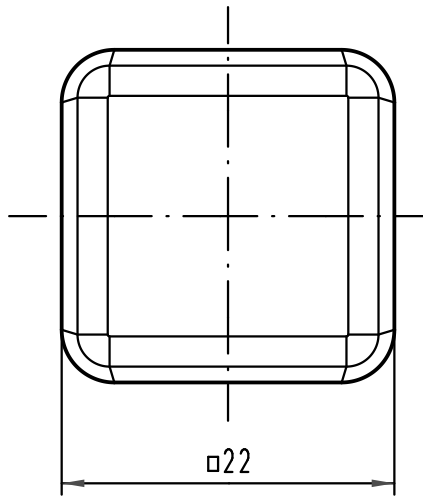
1 2 3 4 5 6

A

B

C

D



| | | | | | | | |
|--------|----------|---|--|-------------------|-------------|---|---|
| | | All Dimensions in mm Original Size DIN A 4 | | Techn. Character. | | Nicht tolerierte Maßel Free size tolerances | |
| | | | | | | | |
| | | | | Dat. | Name | Maßstab/Scale 2:1 | Staubschutzkappe <i>protection cover</i> Han PushPull |
| | | | | Detail. | 12.12.07 Ho | | |
| | | | | Insp. | drie | | |
| | | | | Stand. | | | |
| 35946 | 10.12.09 | hsv | HARTING Electronics GmbH & Co. KG D-32339 ESPELKAMP | | | | TB 09 35 002 5412 |
| 413522 | | | | | | | |
| Mod. | Dat. | Name | | | | | Blatt/ page Sub. |