

MOAS. | Horizontal toggle clamps

with folded base and anti-release lever, steel or stainless steel



- 1
- 2
- 3
- 4
- 5
- 6
- 7
- 8
- 9
- 10
- 11
- 12
- 13
- 14
- 15
- 16
- 17
- 18

STANDARD EXECUTIONS

With open clamping lever and two folded washers:

- **MOAS-ML**: zinc-plated steel body and rivets.
- **MOAS-MLX**: AISI 304 stainless steel body and rivets.

With solid clamping lever and retainer for welding:

- **MOAS-OL**: zinc-plated steel body and rivets.
- **MOAS-OLX**: AISI 304 stainless steel body and rivets.

SUPPORT BUSHING

Hardened and ground steel (for sizes ≥ 355).

HANDLE

Polyurethane, red colour.

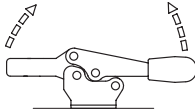
CLAMPING BOLT (TO BE ORDERED SEPARATELY)

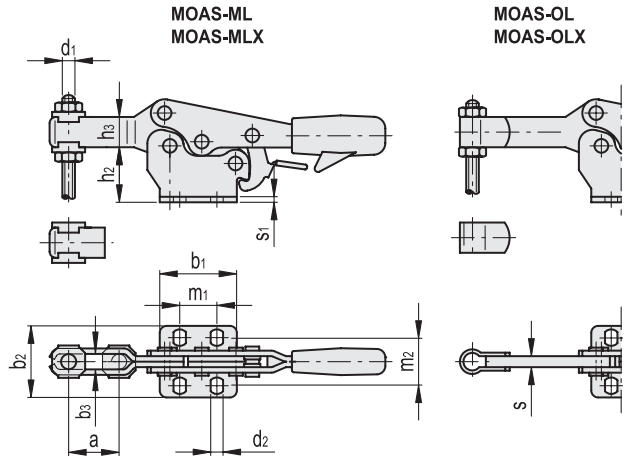
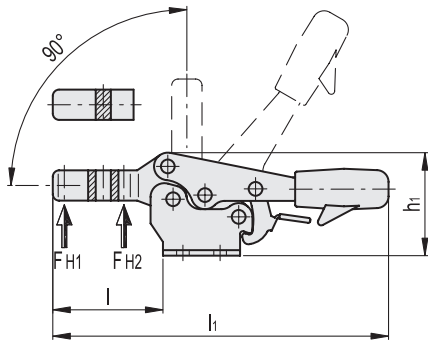
FEATURES AND APPLICATIONS

Anti-release lever to prevent accidental opening in the presence of strong vibrations.

The operator's fingers cannot be hit by the lever while opening.

During clamping, the lever is controlled to prevent impact on functioning due to side thrust.





MOAS-ML

METRIC

Code	Description	a	b1	b2	b3	d1	d2	h1	h2	h3	l	l1	m1	m2	s1	FH1 [N]*	FH2 [N]*	⚖
GG.AD092	MOAS.75-ML	20	28	26	5.3	M5	4.5	37	20	11	39	118	13.5	16+19	2	900	1350	90
GG.AD152	MOAS.130-ML	32	36	40	6.3	M6	5.6	51	30.5	16	56.5	171.5	26	22.4+28.4	2.5	1000	2000	200
GG.AD290	MOAS.230-ML	37	44	44	8.5	M8	6.6	61.5	36.5	18	65	196	26	26+31.5	3	1700	3300	320
GG.AD390	MOAS.355-ML	58	60	58	10.5	M10	8.6	83	50	22	100	269	41	38.8+43	3.5	1800	4000	750
GG.AD490	MOAS.455-ML	65	70	65	12.5	M12	8.7	99	60	26	114	305	41.5	40+43	4	3200	6200	1200

MOAS-MLX

INOX STAINLESS STEEL

METRIC

Code	Description	a	b1	b2	b3	d1	d2	h1	h2	h3	l	l1	m1	m2	s1	FH1 [N]*	FH2 [N]*	⚖
GG.DS100	MOAS.75-MLX	20	28	26	5.3	M5	4.5	37	20	11	39	118	13.5	16+19	2	900	1350	90
GG.DS152	MOAS.130-MLX	32	36	40	6.3	M6	5.6	51	30.5	16	56.5	171.5	26	22.4+28.4	2.5	1000	2000	200
GG.DS287	MOAS.230-MLX	37	44	44	8.5	M8	6.6	61.5	36.5	18	65	196	26	26+31.5	3	1700	3300	320

MOAS-OL

METRIC

Code	Description	b1	b2	d1	d2	h1	h2	h3	l	l1	m1	m2	s	s1	FH1 [N]*	FH2 [N]*	⚖
GG.AD096	MOAS.75-OL	28	26	M5	4.5	37	20	11	39.5	118.5	13.5	16+19	4	2	900	1350	90
GG.AD156	MOAS.130-OL	36	40	M6	5.6	51	30.5	16	57	172	26	22.4+28.4	5	2.5	1000	2000	200
GG.AD294	MOAS.230-OL	44	44	M8	6.6	61.5	36.5	18	66	196.5	26	26+31.5	6	3	1700	3300	330
GG.AD394	MOAS.355-OL	60	58	M10	8.6	83	50	22	101	270	41	38.8+43	7	3.5	1800	4000	750
GG.AD494	MOAS.455-OL	70	65	M12	8.7	99	60	26	115.5	306.5	41.5	40+43	10	4	3200	6200	1220

MOAS-OLX

INOX STAINLESS STEEL

METRIC

Code	Description	b1	b2	d1	d2	h1	h2	h3	l	l1	m1	m2	s	s1	FH1 [N]*	FH2 [N]*	⚖
GG.DS104	MOAS.75-OLX	28	26	M5	4.5	37	20	11	39.5	118.5	13.5	16+19	4	2	900	1350	90
GG.DS156	MOAS.130-OLX	36	40	M6	5.6	51	30.5	16	57	172	26	22.4+28.4	5	2.5	1000	2000	200
GG.DS291	MOAS.230-OLX	44	44	M8	6.6	61.5	36.5	18	66	196.5	26	26+31.5	6	3	1700	3300	330

* Holding force.

