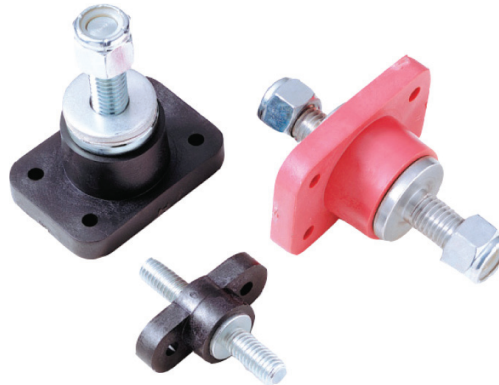


Feed-through and standalone stud type junction blocks

RoHS



Studs

- Non-feed-through junction blocks are plated steel
- Feed-through junction blocks are copper alloy

Note: Voltage rating dependent upon installation

Suggested maximum termination ratings

Stud size/thread/	Amps
#10-32	50
#1/4-20	100
#5/16-18	200
#3/8-16	250
#1/2-20	400

Catalog symbols:

- C19_
- C27_
- C29_
- C40_
- C58_
- C63_
- JB38_

Description:

Busmann™ series feed-through and standalone stud type junction blocks for heavy-duty ground or power connection points in AC or DC circuits.

Modular construction offers design and manufacturing flexibility with mounting options well suited for transformers, communication and computer power sections along with various vehicle electrical systems.

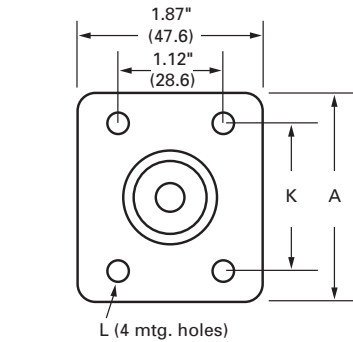
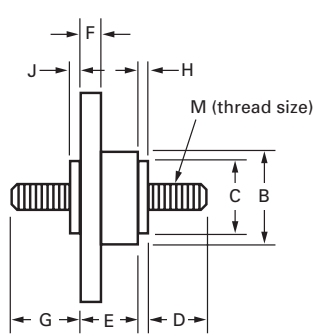


Fig. 1

(Catalog numbers C1925, C1933, C1933-1)

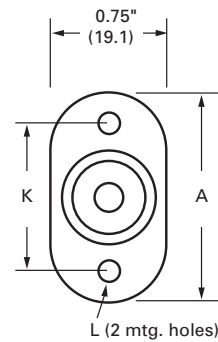


Fig. 2

(All other catalog numbers)

Catalog numbers and dimensions – in (mm)

Catalog no.	Fig.	A	B	C	D	E	F	G	H	J	K	L	M	Material	Color
C2791*	2	2.06 (52.4)	0.69 (17.5)	0.44 (11.2)	0.62 (15.9)	0.69 (17.5)	0.31 (7.9)	0.69 (17.5)	0.06 (1.6)	0.06 (1.6)	1.31 (33.3)	0.22 dia. w/.41 dia. C'bore x .14 deep	1/4-20	Thermoset	Black
C2909* †	2	2.06 (52.4)	0.69 (17.5)	0.44 (11.2)	0.62 (15.9)	1.0 (25.4)	0.31 (7.9)	0.69 (17.5)	0.06 (1.6)	0.06 (1.6)	1.31 (33.3)	0.22 dia. w/.41 dia. C'bore x .14 deep	10-32	Thermoset	Black
C2909-1*	2	2.06 (52.4)	0.69 (17.5)	0.44 (11.2)	0.62 (15.9)	1.0 (25.4)	0.31 (7.9)	0.69 (17.5)	0.06 (1.6)	0.06 (1.6)	1.31 (33.3)	0.22 dia. w/.41 dia. C'bore x .14 deep	1/4-20	Thermoset	Black
C1938*	2	2.06 (52.4)	0.94 (23.8)	0.69 (17.5)	0.87 (22.2)	0.69 (17.5)	0.31 (7.9)	0.87 (22.2)	0.06 (1.6)	0.06 (1.6)	1.31 (33.3)	0.22 dia. w/.41 dia. C'bore x .14 deep	3/8-16	Thermoplastic	Black
C1925* †	1	2.75 (69.8)	1.5 (38.1)	1.25 (31.7)	1.25 (31.7)	1.12 (28.6)	0.37 (9.5)	1.12 (28.6)	0.19 (4.8)	0.19 (4.8)	2.0 (50.8)	0.22 dia. w/.44 dia. C'bore x .16 deep	1/2-13	Thermoplastic	Red
C4044* †	2	2.06 (52.4)	0.87 (22.2)	0.62 (15.9)	0.62 (15.9)	1.12 (28.6)	0.31 (7.9)	0.87 (22.2)	0.06 (1.6)	0.06 (1.6)	1.31 (33.3)	0.22 dia. w/.41 dia. C'bore x .14 deep	3/8-16	Thermoplastic	Black
C5898* †	2	2.06 (52.4)	0.94 (23.8)	0.69 (17.5)	0.87 (22.2)	0.69 (17.5)	0.31 (7.9)	0.87 (22.2)	0.06 (1.6)	0.06 (1.6)	1.31 (33.3)	0.22 dia. w/.41 dia. C'bore x .14 deep	3/8-16	Thermoplastic	Red
JB3816-2	2	2.12 (54.0)	1.0 (25.4)	0.62 (15.9)	0.94 (23.8)	0.69 (17.5)	0.31 (7.9)	None	0.06 (1.6)	None	1.37 (34.9)	0.22 dia. w/.37 dia. C'bore x .14 deep	3/8-16	Thermoplastic	Black
JB3816-3	2	2.12 (54.0)	1.0 (25.4)	0.62 (15.9)	0.94 (23.8)	0.69 (17.5)	0.31 (7.9)	None	0.06 (1.6)	None	1.37 (34.9)	0.22 dia. w/.37 dia. C'bore x .14 deep	3/8-16	Thermoplastic	Red
C1933 †	1	2.75 (69.8)	1.44 (36.6)	1.25 (31.7)	1.5 (38.1)	1.12 (28.6)	0.37 (9.5)	None	0.19 (4.8)	None	2 (50.8)	0.22 dia.	1/2-13	Thermoplastic	Black
C1933-1 †	1	2.75 (69.8)	1.44 (36.3)	1.25 (31.7)	1.5 (38.1)	1.12 (28.6)	0.37 (9.5)	None	0.19 (4.8)	None	2 (50.8)	0.22 dia.	5/16-18	Thermoplastic	Black
C6344-1	2	2.12 (54.0)	0.62 (15.9)	0.62 (15.9)	0.87 (22.2)	0.69 (17.5)	0.31 (7.9)	None	0.06 (1.6)	None	1.37 (34.9)	0.22 dia. w/.37 dia. C'bore x .14 deep	1/2-20	Thermoplastic	Black

* Feed-through options – Nuts and washers; consult factory.
† Not RoHS compliant.

The only controlled copy of this data sheet is the electronic read-only version located on the Eaton network drive. All other copies of this document are by definition uncontrolled. This bulletin is intended to clearly present comprehensive product data and provide technical information that will help the end user with design applications. Eaton reserves the right, without notice, to change design or construction of any products and to discontinue or limit distribution of any products. Eaton also reserves the right to change or update, without notice, any technical information contained in this bulletin. Once a product has been selected, it should be tested by the user in all possible applications.

Eaton
1000 Eaton Boulevard
Cleveland, OH 44122
Eaton.com

Bussmann Division
114 Old State Road
Ellisville, MO 63021
United States
Eaton.com/bussmannseries

© 2016 Eaton
All Rights Reserved
Printed in USA
Publication No. 2070 — BU-SB98107
December 2016

Eaton and Bussmann are valuable trademarks of Eaton in the U.S. and other countries. You are not permitted to use the Eaton trademarks without prior written consent of Eaton.

For Eaton's Bussmann series product information, call **1-855-287-7626** or visit: **Eaton.com/bussmannseries**

Follow us on social media to get the latest product and support information.

