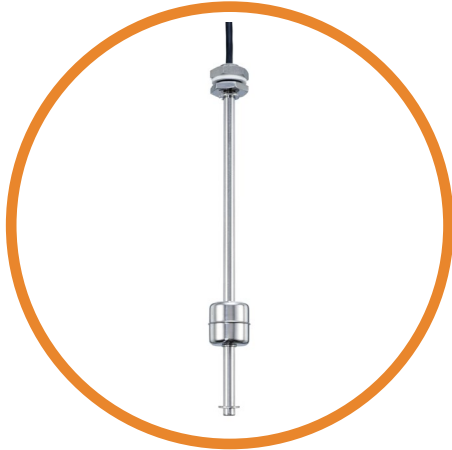


SSF67 SERIES

DUAL SWITCH POINT STAINLESS STEEL FLOAT SWITCH



The SSF67 has been designed to give the user a long reach float switch with a number of switching options, to cater for a wide variety of system requirements. Manufactured in Stainless Steel 316L material, these switches are suitable for use in many aggressive liquids or hygienic applications.

The single float version gives high (make on rise) and low (make on fall) level indications for alarms and controls systems.

The dual float versions give either make on rise for both high and low levels (used for tank emptying control) or make on fall for both high and low levels (used for tank filling control).

The switches are screw mounted vertically via M16x2 thread, so require access to the inside of the tank.

Features

- Stainless Steel 316L material
- Single or dual switching levels
- Close tolerance switching
- Process temperatures up to 135°C

SPECIFICATIONS

Technical

Mounting Style	Internal
Mounting Thread	M16
Float & Stem Material	316 grade SS
Maximum Temperature	120°C
Maximum Pressure	10 bar (up to 500mm length)
Minimum Fluid SG	0.8
Cable Length - Standard	100cm
Cable Conductor Size	7/0.2
Cable Conductor Material	Tinned copper
Cable Sheath Material	Sleeved ETFE
Cable Temperature Rating	125°C
Tightening Torque for Fixing Nut	2.0kg/cm

Electrical

Contact Form		N/O (N/C)
Switching Power Max	VA	25
Switching Voltage AC Max	V	250
Switching Voltage DC Max	V	120
Switching Current Max	A	0.6

All ratings are for resistive load only.



STANDARD PARTS

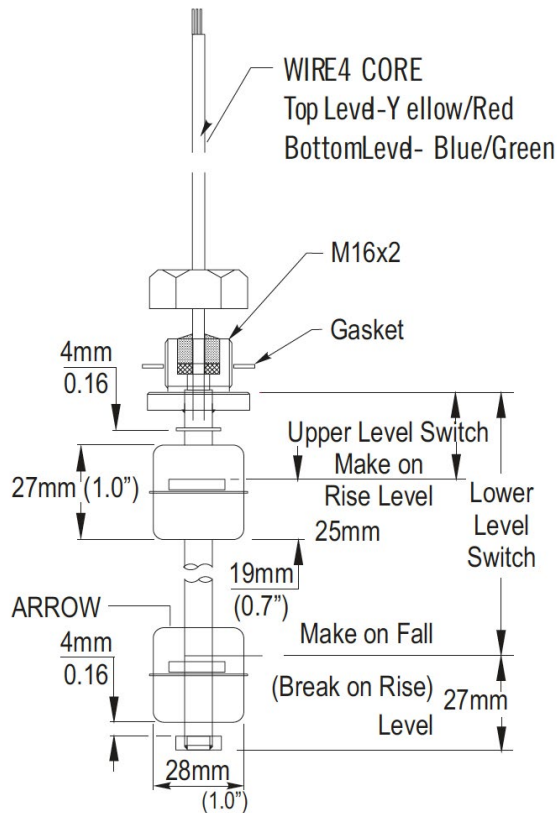
	Upper Level	Lower Level	Total Length	Application
SSF67A25B75	25mm	75mm	102mm	Max & Min
SSF67A25B100	25mm	100mm	127mm	Max & Min
SSF67A25B125	25mm	125mm	152mm	Max & Min
SSF67A25B150	25mm	150mm	177mm	Max & Min
SSF67A25B175	25mm	175mm	202mm	Max & Min
SSF67A25B200	25mm	200mm	227mm	Max & Min
SSF67A25B225	25mm	225mm	252mm	Max & Min
SSF67A25B250	25mm	250mm	277mm	Max & Min
SSF67A25B300	25mm	300mm	327mm	Max & Min
SSF67A50A100	50mm	100mm	127mm	Empty control
SSF67A50A150	50mm	150mm	177mm	Empty control
SSF67A50A200	50mm	200mm	227mm	Empty control
SSF67A50A250	50mm	250mm	277mm	Empty control
SSF67B25B75	25mm	75mm	102mm	Fill control
SSF67B50B100	50mm	100mm	127mm	Fill control
SSF67B50B150	50mm	150mm	177mm	Fill control
SSF67B50B200	50mm	200mm	227mm	Fill control
SSF67B50B250	50mm	250mm	277mm	Fill control
SSF67B50B300	50mm	300mm	327mm	Fill control

Custom versions can be made for particular applications. Please contact Sensata with your requirements.



DIMENSIONS

All dimensions are in millimeters.



Made in the UK

Page 3

Sensata Technologies, Inc. ("Sensata") data sheets are solely intended to assist designers ("Buyers") who are developing systems that incorporate Sensata products (also referred to herein as "components"). Buyer understands and agrees that Buyer remains responsible for using its independent analysis, evaluation and judgment in designing Buyer's systems and products. Sensata data sheets have been created using standard laboratory conditions and engineering practices. Sensata has not conducted any testing other than that specifically described in the published documentation for a particular data sheet. Sensata may make corrections, enhancements, improvements and other changes to its data sheets or components without notice.

Buyers are authorized to use Sensata data sheets with the Sensata component(s) identified in each particular data sheet. HOWEVER, NO OTHER LICENSE, EXPRESS OR IMPLIED, BY ESTOPPEL OR OTHERWISE TO ANY OTHER SENSATA INTELLECTUAL PROPERTY RIGHT, AND NO LICENSE TO ANY THIRD PARTY TECHNOLOGY OR INTELLECTUAL PROPERTY RIGHT, IS GRANTED HEREIN. SENSATA DATA SHEETS ARE PROVIDED "AS IS". SENSATA MAKES NO WARRANTIES OR REPRESENTATIONS WITH REGARD TO THE DATA SHEETS OR USE OF THE DATA SHEETS, EXPRESS, IMPLIED OR STATUTORY, INCLUDING ACCURACY OR COMPLETENESS. SENSATA DISCLAIMS ANY WARRANTY OF TITLE AND ANY IMPLIED WARRANTIES OF MERCHANTABILITY, FITNESS FOR A PARTICULAR PURPOSE, QUIET ENJOYMENT, QUIET POSSESSION, AND NON-INFRINGEMENT OF ANY THIRD PARTY INTELLECTUAL PROPERTY RIGHTS WITH REGARD TO SENSATA DATA SHEETS OR USE THEREOF.

All products are sold subject to Sensata's terms and conditions of sale supplied at www.sensata.com SENSATA ASSUMES NO LIABILITY FOR APPLICATIONS ASSISTANCE OR THE DESIGN OF BUYERS' PRODUCTS. BUYER ACKNOWLEDGES AND AGREES THAT IT IS SOLELY RESPONSIBLE FOR COMPLIANCE WITH ALL LEGAL, REGULATORY AND SAFETY-RELATED REQUIREMENTS CONCERNING ITS PRODUCTS, AND ANY USE OF SENSATA COMPONENTS IN ITS APPLICATIONS, NOTWITHSTANDING ANY APPLICATIONS-RELATED INFORMATION OR SUPPORT THAT MAY BE PROVIDED BY SENSATA.

Mailing Address: Sensata Technologies, Inc., 529 Pleasant Street, Attleboro, MA 02703, USA.

CONTACT US

+44 (0)1202 897969
c3w_sales@sensata.com
Cynergy3 Components Ltd.
7 Cobham Road,
Ferndown Industrial Estate,
Wimborne, Dorset,
BH21 7PE, United Kingdom