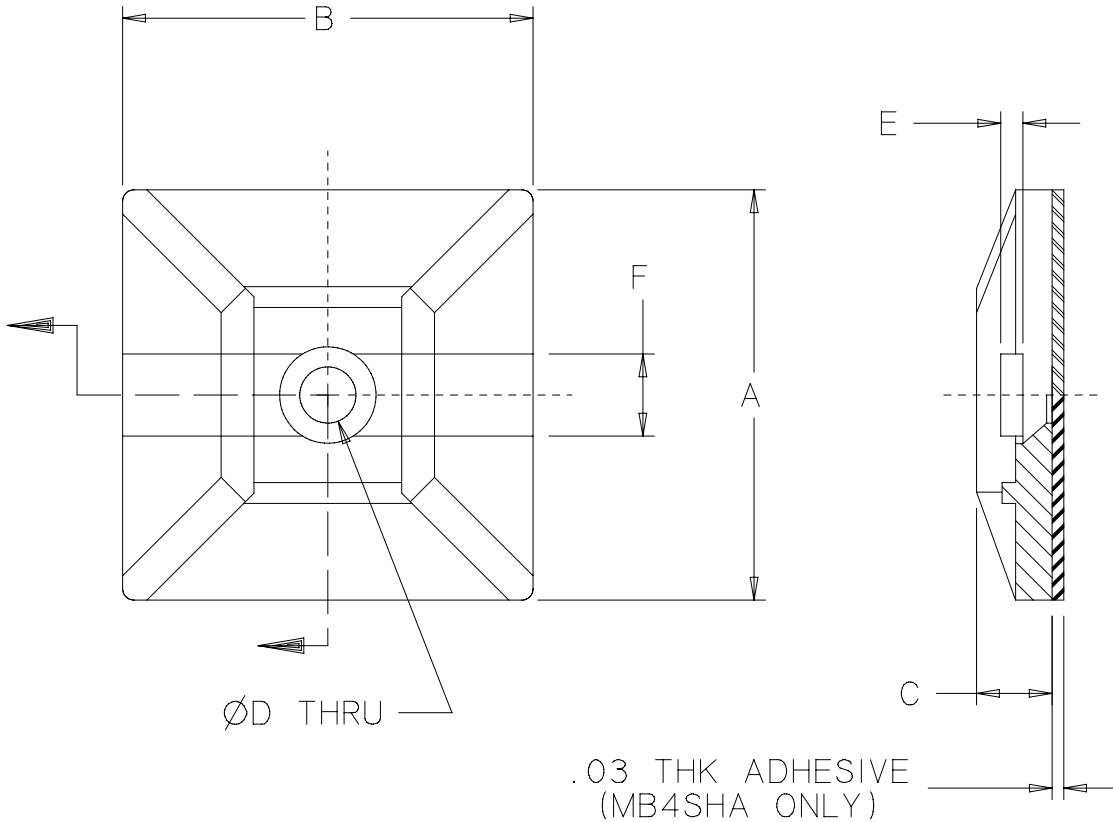


name	date	city, state

NOTES



±.020 ±.50						TOL	CABLE TIE SERIES	MOUNTING METHOD	PART NUMBER
F	E	D	C	B	A	DIM			
$\frac{.223}{5.66}$	$\frac{.063}{1.60}$	$\frac{.154}{3.91}$	$\frac{.202}{5.13}$	$\frac{1.115}{28.32}$	$\frac{1.115}{28.32}$	IN MM	T18 THRU T50	#6 SCREW	MB4SH
								ADHESIVE (RUBBER BASED)	MB4SHA

REVISION	D level $\triangle B$	DIMENSIONS TOLERANCES UNITS	.XXXX= .XXX= NOTED .XX= .X= ∠= unless otherwise specified units inches/mm	PART	number SEE CHART	phase PRODUCTION	DRAWING	FORMAT AV version J	CAD	PD	scale 2X
	AW by SSL				name CABLE TIE MOUNTING BASE SINGLE HOLE	computer file number MT\SER\2002001A		previous number			
	IN date 6/16/98				material NYLON 6/6	drawn 2/6/98		checked	approved		
	G ECN # 000720					type SERIES		sheet 1 of 1			
part level B							number MT2002001SER				