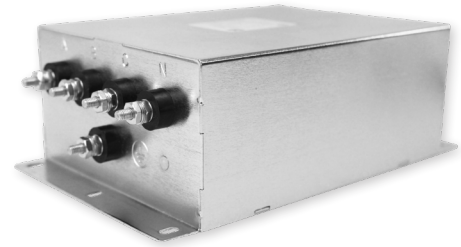


3L

3 PHASE Π FILTER

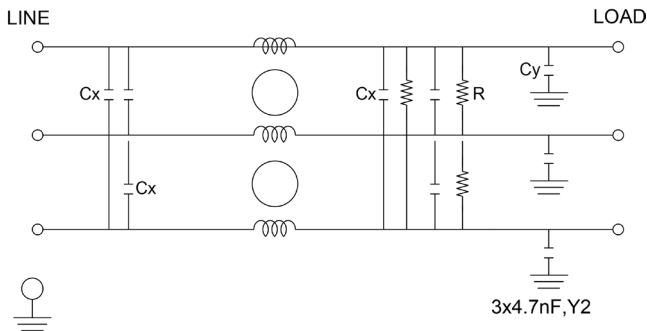
FEATURES

- » Rated currents include **15A, 30A, and 45A**
- » Single Stage Line Filter
- » Available with **S** (studs) option
- » Low Profile Case & Flange Mount Available
- » Agency Approved to UL E78081 and CSA LR53652
- » Y-cap value can be adjusted to fit specification



ELECTRICAL SCHEMATIC

DELTA - SUFFIX "D"



SPECIFICATIONS

OPERATING FREQUENCY	50/60HZ
MAX. OPERATING VOLTAGE	440 VAC +10%
TERMINALS (-T)	STUDS:10-32(15-45A)

TYP. WEIGHT, LBS (KG)	6.36-10 (2.88-4.53)
-----------------------	---------------------

LEAKAGE CURRENT	
@ 480 VAC 60 HZ	1.6 mA Max.

HIPOT RATINGS	
LINE TO GROUND	2200 VDC - 3200 VDC

TYPICAL APPLICATIONS

- ✓ High Power Rectifiers
- ✓ Uninterrupted Power Supplies
- ✓ Processing Equipment
- ✓ Alternative Energy (EV Charging & Solar)
- ✓ Factory Machinery

HOW TO ORDER

3F15 L F



NOTE: USE ANY COMBINATION OF -X (AMPS) WITH ANY -Y RATINGS
E.G. **3F15 LF**(15 AMPS, LOW PROFILE CASE, FLANGE MOUNT)

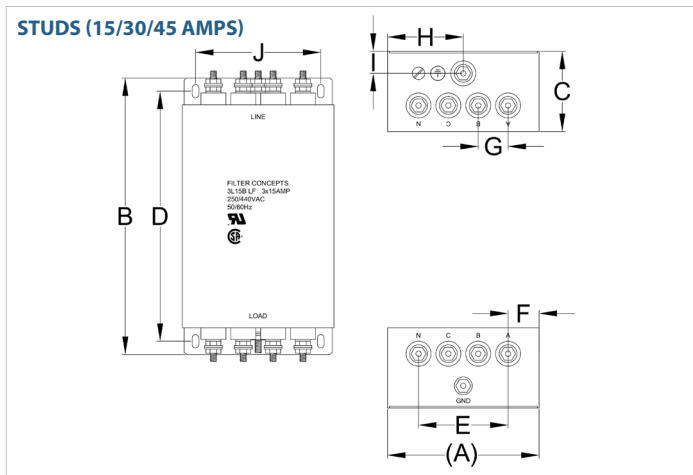
3L

3-PHASE Π FILTER

MODEL NO.	RATED CURRENT (A) @ 40° C	Y-CAP, nF	LEAKAGE CURRENT, mA @ 250V AC, 60 Hz	TERMINAL OPTIONS		MAX. DIMENSIONS" (MM)		
				(QD)INPUT/OUTPUT	(S) INPUT/OUTPUT	WIDTH	(LENGTH)	HEIGHT
3L15 L	15	*	.80	*	*	7.75"(197)	7.75"(197)	2.25"(57)
3L15 LF	15	4x.001µF/4x.0047µF	.80		✓	7.75"(197)	7.75"(197)	2.25"(57)
3L30	30	*	1.1	*	*	4.00"(102)	6.62"(168)	4.00"(102)
3L30 L	30	*	1.1	*	*	4.00"(102)	6.62"(168)	4.00"(102)
3L30 LF	30	4x.001µF/4x.0068µF	1.1		✓	4.00"(102)	6.62"(168)	4.00"(102)
3L45	45	*	1.6	*	*	5.00"(127)	9.96"(253)	4.75"(121)

*Contact factory for dimensions.

3L MECHANICAL OUTLINES (MM)



SERIES	(A)	B	C	D	E	F	G	H	I	J
15 amps	4.25" (108)	7.75" (197)	2.25" (57)	7.01" (178)	2.51" (64)	0.87" (22)	0.84" (21)	2.13" (54)	0.62" (16)	3.51" (89)
30 amps	4.00" (102)	6.62" (168)	4.00" (102)	5.82" (148)	2.50" (64)	0.75" (19)	0.83" (21)	2.00" (51)	1.00" (25)	3.25" (83)
45 amps	5.00" (127)	9.96" (253)	4.75" (121)	8.98" (228)	3.00" (76)	1.00" (25)	1.00" (25)	2.50" (64)	1.43" (36)	4.00" (102)

TYPICAL TOLERANCE: +/-0.02" (0.50MM)

3L

3-PHASE Π FILTER

TYPICAL INSERTION LOSS, dB (50/50 Ohm)

Amps	Freq (MHz)	0.15	0.5	1.0	10	30
15	CM (dB)	35	60	49	62	69
	DM (dB)	30	42	44	61	69
30	CM (dB)	35	60	49	62	69
	DM (dB)	30	42	44	61	69
45	CM (dB)	35	60	49	62	69
	DM (dB)	30	42	44	61	69