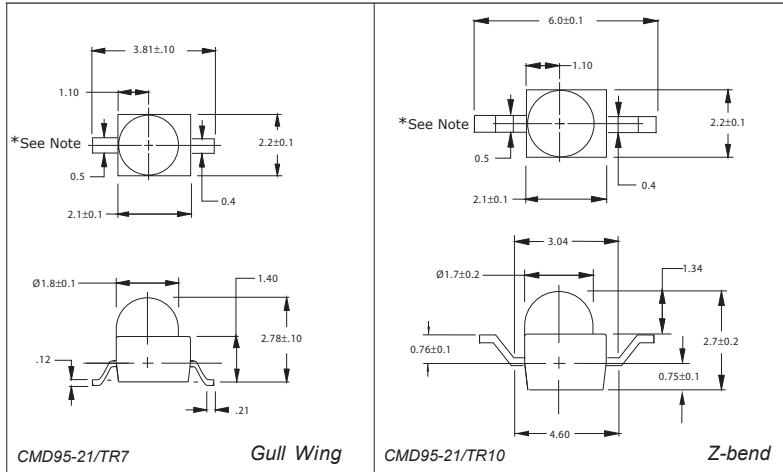


CMD95-21/TR7,TR10 Series SMT LEDs

Description and Features



* Cathode for VG/C/YC/MRC
Anode for SRC

Surface Mount Technology

- Tape and reel packaged for high-speed autoinsertion.
- Convection and vapor-phase reflow compatible.
- Compact form enables high density placement.
- 1000 pieces per reel.
- Gull wing or Z-bend lead configuration.
- RoHS Compliant

Exceptional Reliability

- Stringent process controls assure quality.
- Extensive qualification testing to meet strictest requirements.
- Designed to permit easy post-reflow solder joint inspection.

Leading Edge LED Optoelectronic Performance

- Consistent high brightness.

Electro-Optical Characteristics

Part Number	Emitted Color	Lens Color	Luminous Intensity		Forward Voltage		Viewing Angle (degrees)	Peak Wavelength (nm)
			Min. (mcd)	Typ. (mcd)	Typ. (V)	Max. (V)		
CMD95-21VYC/TR7	Yellow	Clear	16.0	25.0	2.0	2.8	25	585
CMD95-21VRC/TR7	Red	Clear	16.0	25.0	2.0	2.8	25	640
CMD95-21SRC/TR7	Red	Clear	60.0	100.0	1.7	2.4	25	660
CMD95-21VGC/TR10	Green	Clear	11.5	19.5	2.1	2.8	25	570
CMD95-21VYC/TR10	Yellow	Clear	16.0	25.0	2.0	2.8	25	585
CMD95-21VRC/TR10	Red	Clear	16.0	25.0	2.0	2.8	25	640
CMD95-21SRC/TR10	Red	Clear	60.0	100.0	1.7	2.4	25	660

Absolute Maximum Ratings

	Green	Yellow	Red	Units
Power Dissipation.....	105.....	105.....	100.....	mW
Storage.....	-40 to +100.....	-40 to +100.....	-40 to +100.....	°C
Operating Temperature.....	-40 to +85.....	-40 to +85.....	-40 to +85.....	°C
Peak Forward Current (1µs @ 10% duty cycle).....	150.....	150.....	150.....	mA
Reverse Voltage (IR=100µA).....	5.0.....	5.0.....	5.0.....	V
Lead Solder Time @ 260°C.....	5.....	5.....	5.....	Seconds
Forward Current.....	25.....	30.....	30.....	mA