

47596-8813	WITH HALOGEN FREE
PART NO.	DESCRIPTION

BILL OF MATERIAL			
ITEM NO	QTY	DESCRIPTION	MATERIAL
①	1	ILM BACK PLATE ASSEMBLY	
①	1	ILM BACK PLATE	STEEL WITH NICKEL PLATING
②	1	ILM BACK PLATE INSULATOR	POLYCARBONATE FILM

- NOTES:
- ① INSULATOR OVERHANGS ALL EXTERNAL EDGES.
 - ② INK PRINTED DATE CODE: * * *
- | | |
|------|---------------|
| ┌──┐ | WORKING DAY |
| └──┘ | WORKING MONTH |
| └──┘ | WORKING YEAR |
- 3. 6-32 UNC MIN. 3MM THREAD DEPTH
 - 4. PART IS COMPLAINT TO RoHS DIRECTIVE 2002/95/EC AND ELV 2000/53/EC.

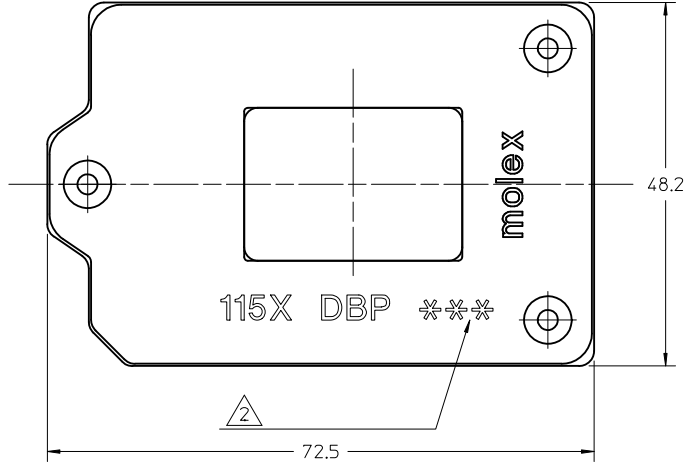
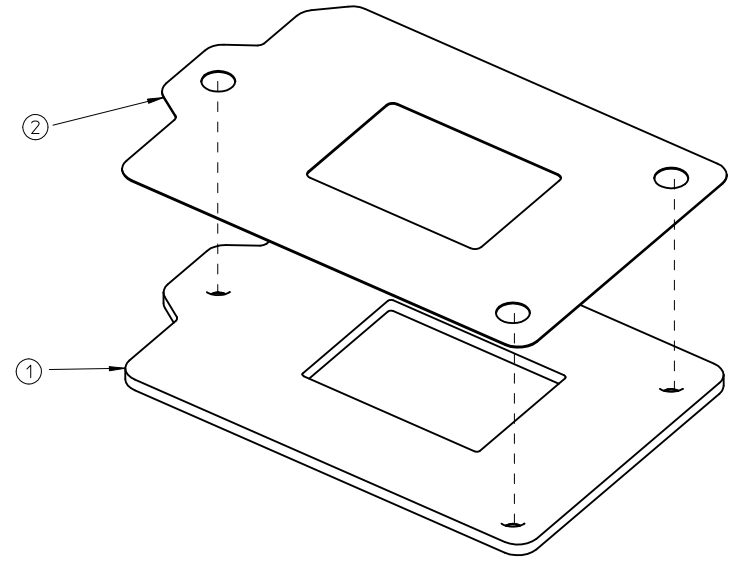
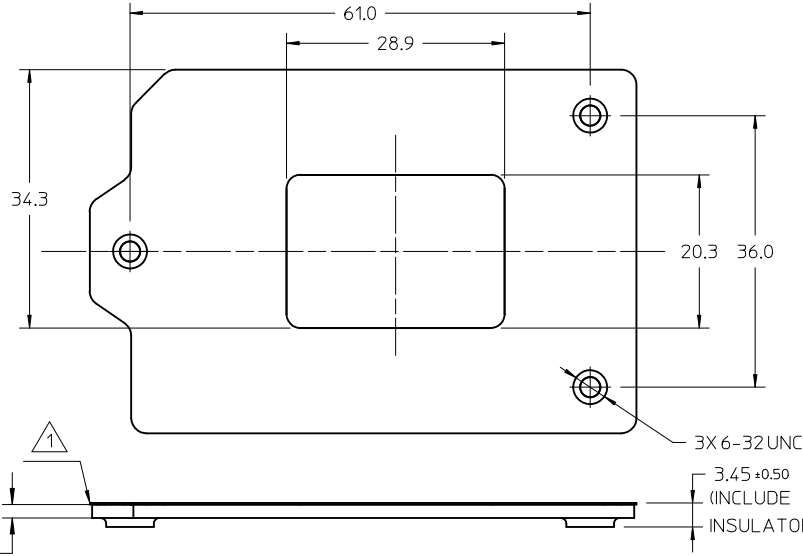
ENTER DESCRIPTION	2012/04/06
EC NO: SH2012-0350	
DRWN: YXZHENG	2012/04/06
CHKD:	
APPR: AYIN	2012/04/06
REV	DESCRIPTION

QUALITY SYMBOLS	GENERAL TOLERANCES (UNLESS SPECIFIED)	
	mm	INCH
$\nabla = 0$	4 PLACES $\pm .005$	$\pm .0004$
$\nabla = 0$	3 PLACES $\pm .005$	$\pm .0004$
$\nabla = 0$	2 PLACES $\pm .005$	$\pm .0004$
	1 PLACE ± 0.25	$\pm .010$
	ANGULAR $\pm 2^\circ$	

DIMENSION STYLE		SCALE	DESIGN UNITS	THIRD ANGLE PROJECTION
MM ONLY		2:1	METRIC	
DRAWN BY	DATE	TITLE		
JGU007	2008/01/11	115X BACK PLATE ASSEMBLY		
CHECKED BY	DATE	MOLEX INCORPORATED		
JKACHL IC	2008/01/11	MOLEX INCORPORATED		
APPROVED BY	DATE	DOCUMENT NO.		
CL IANG	2008/01/11	SD-47596-004		
MATERIAL NO.		SHEET NO.		
SEE TABLE		1 OF 1		

DRAFT WHERE APPLICABLE MUST REMAIN WITHIN DIMENSIONS		THIS DRAWING CONTAINS INFORMATION THAT IS PROPRIETARY TO MOLEX INCORPORATED AND SHOULD NOT BE USED WITHOUT WRITTEN PERMISSION	
--	--	---	--

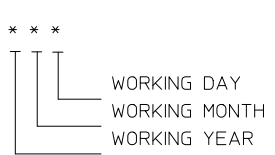
10 9 8 7 6 5 4 3 2 1



47596-8813	WITH HALOGEN FREE
PART NO.	DESCRIPTION

BILL OF MATERIAL			
ITEM NO	QTY	DESCRIPTION	MATERIAL
1	1	ILM BACK PLATE ASSEMBLY	
①	1	ILM BACK PLATE	STEEL WITH NICKEL PLATING
②	1	ILM BACK PLATE INSULATOR	POLYCARBONATE FILM

NOTES:
 ① INSULATOR OVERHANGS ALL EXTERNAL EDGES.
 ② INK PRINTED DATE CODE: * * *



3. 6-32 UNC MIN. 3MM THREAD DEPTH
 4. PART IS COMPLAINT TO RoHS DIRECTIVE 2002/95/EC AND ELV 2000/53/EC.

ENTER DESCRIPTION	DRWN: YXZHENG	2012/04/06
EC NO: SH2012-0350	CHKD:	
	APPR: AYIN	2012/04/26
REV	DESCRIPTION	

QUALITY SYMBOLS	$F=0$	
	$F=0$	
	$F=0$	
	ANGULAR $\pm 2^\circ$	
	DRAFT WHERE APPLICABLE MUST REMAIN WITHIN DIMENSIONS	

GENERAL TOLERANCES (UNLESS SPECIFIED)	
mm	INCH
4 PLACES $\pm .005$	$\pm .0004$
3 PLACES $\pm .008$	$\pm .0003$
2 PLACES $\pm .015$	$\pm .0002$
1 PLACE ± 0.25	$\pm .010$

DIMENSION STYLE	SCALE	DESIGN UNITS	THIRD ANGLE PROJECTION
MM ONLY	2:1	METRIC	
DRAWN BY	DATE	TITLE	
JGU007	2008/01/11	115X BACK PLATE ASSEMBLY	
CHECKED BY	DATE	MOLEX INCORPORATED	
JKACHLIC	2008/01/11		
APPROVED BY	DATE	MATERIAL NO.	DOCUMENT NO.
CL IANG	2008/01/11	SEE TABLE	SD-47596-004
SHEET NO.		1 OF 1	

9 8 7 6 5 4 3 2 1